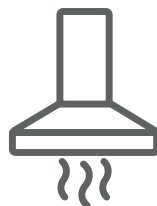


Amica

OPERATING INSTRUCTIONS
INSTRUKCJA OBSŁUGI
NÁVOD K OBSLUZE
NÁVOD NA OBSLUHU
INSTRUCȚIUNE DE DESERVIRE
HASZNÁLATI UTASÍTÁS
ИНСТРУКЦИЯ ЗА ОБСЛУЖВАНЕ
MANUAL DE INSTRUCCIONES
MANUALDE INSTRUÇÕES
UPUTE ZA UPORABU
NAVODILA ZA UPORABO
UDHËZIMET PËR PËRDORIM

EN
PL
CS
SK
RO
HU
BG
ES
PT
HR
SL
SQ

**Kitchen extractor hood / okap nadkuchenny /
kuchyňského odsavače / kuchynského odsávača
/ Hotă de bucătărie / tűzhely feletti páraelszívó /
кухненски аспиратор / Campana extractora de
cocina / Exaustor de cozinha / Kuhinjska napa /
Kuhinjska napa / Aspiratorin**



**OTP6233* / OTP6243* /
OTP5234***



IO-HOO-0666/3
(10.2024)

EN- Table of contents

NOTES ON SAFETY	8
UNPACKING	11
DISPOSAL OF OLD APPLIANCE	11
OPERATION	12
KITCHEN HOOD CONTROLS	12
OTHER IMPORTANT INFORMATION CONCERNING THE OPERATION OF THE HOOD	13
CLEANING AND MAINTENANCE	14
MAINTENANCE	14
GREASE FILTER	14
ACTIVATED CHARCOAL FILTER	14
LIGHT	14
WARRANTY AND AFTER SALES SERVICE	15
WARRANTY	15

PL- Spis treści

WSKAZÓWKI DOTYCZĄCE BEZPIECZEŃSTWA	17
ROZPAKOWANIE	21
USUWANIE ZUŻYTYCH URZĄDZEŃ	21
OBSŁUGA	22
STEROWANIE OKAPEM	22
INNE WAŻNE INFORMACJE DOTYCZĄCE OBSŁUGI OKAPU	23
CZYSZCZENIE I KONSERWACJA	24
KONSERWACJA	24
FILTR PRZECIWTŁUSZCZOWY	24
FILTR WĘGLOWY	24
OŚWIETLENIE	24
GWARANCJA, OBSŁUGA POSPRZEDAŻOWA	25
GWARANCJA	25

CS- Obsah

BEZPEČNOSTNÍ POKYNY	27
VYBALENÍ	30
LIKVIDACE OPOTŘEBOVANÝCH ZAŘÍZENÍ	30
OBSLUHA	31
OVLÁDÁNÍ ODSAVAČE	31
JINÉ DŮLEŽITÉ INFORMACE O OBSLUZE ODSAVAČE	32
ČIŠTĚNÍ A ÚDRŽBA	33
ÚDRŽBA	33
PROTITUKOVÝ FILTR	33
UHĹÍKOVÝ FILTR	33
OSVĚTLENÍ	33
ZÁRUKA, POPRODEJNÍ SERVIS	34
ZÁRUKA	34

SK- Obsah

BEZPEČNOSTNÉ POKYNY POUŽÍVANIA	36
ROZBALENIE	40
LIKVIDÁCIA ZARIADENÍ	40
OBSLUHA	41
OVLÁDANIE ODSÁVAČA	41
INÉ DÔLEŽITÉ INFORMÁCIE TÝKAJÚCE SA POUŽÍVANIA ODSÁVAČA	42
ČISTENIE A UDRŽBA	43
KONZERVÁCIA	43
PROTITUKOVÝ FILTER	43
UHLÍKOVÝ FILTER	43
OSVETLENIE	43
ZÁRUKA, POPREDAJNÝ SERVIS	44
ZÁRUKA	44

RO - Cuprins

INDICAȚII PRIVIND SIGURANȚA	46
DESPAȚETARE	50
ÎNDEPĂRTAREA DISPOZITIVELOR UZATE	50
OPERARE	51
PANOUL DE CONTROL	51
ALTE INFORMAȚII IMPORTANTE PENTRU OPERAREA HOTEI	52
CURĂȚAREA ȘI ÎNTREȚINEREA	53
ÎNȚREȚINERE	53
FILTRUL ÎMPOTRIVA GRĂSIMILOR	53
FILTRUL DE CARBON	53
SISTEM DE ILUMINARE	53
GARANȚIE, SERVICII POSTVÂNZARE	54
GARANȚIA	54

HU - Tartalomjegyzék

BIZTONSÁGI UTASÍTÁSOK	56
KICSOMAGOLÁS	60
A HASZNÁLT KÉSZÜLÉKEK ELTÁVOLÍTÁSA	60
HASZNÁLAT	61
PÁRAELSZÍVÓ VEZÉRLÉSE	61
A PÁRAELSZÍVÓ MŰKÖDÉSÉVEL KAPCSOLATOS EGYÉB FONTOS INFORMÁCIÓK	62
TISZTÍTÁS ÉS KARBANTARTÁS	63
KARBANTARTÁS	63
ZSÍRSZŰRŐ	63
SZÉNSZŰRŐ	63
VILÁGÍTÁS	63
GARANCIA ÉS VÁSÁRLÁS UTÁNI SZERVIZ	64
GARANCIA	64

BG - Съдържание

ПРЕПОРЪКИ ОТНОСНО БЕЗОПАСНОСТТА	66
РАЗОПАКОВАНЕ	70
ОБЕЗВРЕЖДАНЕ НА ИЗНОСЕНИ УРЕДИ	70
ОБСЛУЖВАНЕ	71
УПРАВЛЕНИЕ НА АБСОРБАТОРА	71
ДРУГИ ВАЖНИ ИНФОРМАЦИИ ЗА ОБСЛУЖВАНЕТО НА АБСОРБАТОРА	72
ПОЧИСТВАНЕ И ПОДДРЪЖКА	73
ПОДДРЪЖКА	73
ФИЛТЪР ЗА МАЗНИНИ	73
ВЪГЛЕН ФИЛТЪР	73
ОСВЕТЛЕНИЕ	73
ГАРАНЦИЯ, СЛЕД ПРОДАЖБЕНО ОБСЛУЖВАНЕ	74
ГАРАНЦИЯ	74

ES - Tabla de contenidos

INDICACIONES RELACIONADAS CON SEGURIDAD	76
DESEMBALAJE	80
ELIMINACIÓN DE APARATOS USADOS	80
USO	81
CONTROL DE CAMPANA	81
OTRA INFORMACIÓN IMPORTANTE RELATIVA AL USO DE LA CAMPANA	82
LIMPIEZA Y CONSERVACIÓN	83
MANTENIMIENTO	83
FILTRO DE GRASA	83
FILTRO DE CARBÓN	83
ILUMINACIÓN	83
GARANTÍA, ATENCIÓN DE POST VENTA	84
GARANTÍA	84

PT - Índice

CONSELHOS DE SEGURANÇA	86
DESEMPACOTAMENTO	90
ELIMINAÇÃO DE APARELHOS GASTOS	90
UTILIZAÇÃO	91
CONTROLO DO EXAUSTOR	91
OUTRAS INFORMAÇÕES IMPORTANTES SOBRE A UTILIZAÇÃO DO EXAUSTOR	92
LIMPEZA E MANUTENÇÃO	93
MANUTENÇÃO	93
FILTRO DE GORDURA	93
FILTRO DE CARVÃO	93
ILUMINAÇÃO	93
GARANTIA, SERVIÇO PÓS-VENDA	94
GARANTIA	94

HR - Kazalo

SIGURNOSNE NAPOMENE	96
UKLANJANJE PAKIRANJA	99
ZBRINJAVANJE POTROŠENIH UREĐAJA	99
UPORABA	100
UPRAVLJANJE NAPOM	100
OSTALE VAŽNE INFORMACIJE O UPORABI NAPE	101
ČIŠĆENJE I ODRŽAVANJE	102
ODRŽAVANJE	102
FILTER PROTIV MASNOĆE	102
UGLJENI FILTER	102
RASVJETA	102
JAMSTVO, POSLIJEPRODAJNE AKTIVNOSTI	103
JAMSTVO	103

SL - Sadržaj

NAVODILA ZA ZAGOTAVLJANJE VARNOSTI UPORABE	105
RAZPAKIRANJE	108
ODSTRANJEVANJE IZRABLJENIH NAPRAV	108
UPORABA	109
UPRAVLJANJE S KUHINJSKO NAPO	109
DRUGE POMEMBNE INFORMACIJE GLEDE NAVODIL ZA UPORABO NAPE	110
ČIŠĆENJE IN VZDRŽEVANJE	111
VZDRŽEVANJE	111
MAŠČOBNI FILTER	111
OGLENI FILTER	111
OSVETLITEV	111
GARANCIJA, POPRODAJNE STORITVE	112
GARANCIJA	112

SQ - Tabela e përmbajtjes

SHËNIME PËR SIGURINË	114
SHPAKETIMI	118
FŁAKJA E PAJISJES SË VJETËR	118
PËRDORIMI	119
KOMANDAT E ASPIRATORIT	119
INFORMACIONE TË TJERA TË RËNDËSISHME NË LIDHJE ME FUNKSIONIMIN E ASPIRATORIT	120
PASTRIMI DHE MIRËMBAJTJA	121
MIRËMBAJTJA	121
FILTRI I YNDYRËS	121
FILTRI ME QYMYR AKTIV	121
NDRIÇIMI	121
GARANCIA DHE SHËRBIMI PAS SHITJES	122
GARANCIA	122

Dear customer,

From now on, your daily housework will be easier than ever before. Your appliance **Amica** is exceptionally easy to use and extremely efficient. After reading these Operating Instructions, operating the appliance will be easy.

Before being packaged and leaving the manufacturer, the appliance was thoroughly checked with regard to safety and functionality.

Before using the appliance, please carefully read these Operating Instructions. By following these instructions carefully you will be able to avoid any problems in using the appliance. It is important to keep these Operating Instructions and store them in a safe place so that they can be consulted at any time.

Follow these instructions carefully in order to avoid possible accidents.

Sincerely,

Amica

NOTES ON SAFETY

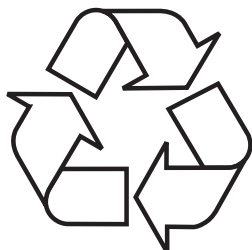
- Before using the appliance, please carefully read this manual!
- The appliance is designed for household use only.
- The manufacturer reserves the right to introduce changes, which do not affect operation of the appliance.
- The manufacturer shall not be liable for any damage or fire caused by the appliance resulting from failure to follow instructions in this manual.
- Cooker hood is designed to remove cooking odours. Do not use cooker hood for other purposes.
- Connect the cooker hood operating in extraction mode to a suitable ventilation duct (do NOT connect the cooker to smoke or flue gas ducts, which are in use). It requires installation of the air extraction duct to the outside. The length of the duct (usually a pipe of Ø 120 or 150 mm) should not be longer than 4-5 m. An air extraction duct is also required for telescopic and furniture hoods in absorption mode.
- Cooker hood operating in air recirculation mode requires the installation of an activated charcoal filter. In this case, installing an extractor duct is not required, however it is recommended to install an air guide vane (Mainly in chimney cooker hoods).
- The cooker hood features independent lighting and exhaust fan that can be operated at one of several speeds.
- Depending on the type, the hood is designed to be permanently attached to a vertical wall over a gas or electric stove (chimney and universal hoods); on the ceiling over a gas or electric stove (island hoods); on the vertical built in furniture over a gas or electric stove (telescopic and built-in hoods). Before installing, make sure that the wall/ceiling structure is strong enough to suspend the hood. Some hoods are very heavy.

- For details of the installation distance above an electric hob please refer to product technical sheet. If the installation instructions of the gas cooker specify a greater distance, this must be taken into account (Fig. 1).
- Do not leave an open flame under the hood. When the pots are removed from the burner, set the minimum flame. Always make sure that the flame does not extend outside the pot, because it causes unwanted loss of energy and a dangerous concentration of heat.
- When cooking on fat, supervise the pans constantly, because overheated fat can ignite.
- Unplug the appliance before any cleaning, replacing the filter or repair work.
- Cooker hood grease filter should be cleaned at least once a month, because the filter saturated with fat is flammable.
- Ensure adequate ventilation (air flow) if other equipment such as liquid fuel stoves or heaters are operated in the room in addition to the cooker hood. When the cooker hood is simultaneously operated with burning appliances requiring adequate fresh air from the room to work properly, their safe operation is possible if under pressure around these appliances is a maximum of 0.004 mbar (this does not apply when the cooker hood is used as an odour filter)
- Do not lean on the hood.
- The hood should be cleaned regularly both inside and out (AT LEAST ONCE A MONTH, following the indications concerning maintenance provided in this manual)..Failure to adhere to the rules concerning cleaning the hood and replacing filters results in a fire risk.
- If the power cord is damaged it should be replaced by a specialised service centre.
- Ensure that it is possible to disconnect the appliance from the mains by removing the plug or switching off the bi-polar switch.
- This appliance is not intended for use by persons (including children) with physical, mental or sensory handicaps, or by persons inexperienced or

unfamiliar with the appliance, unless under supervision or in accordance with the instructions as communicated to them by persons responsible for their safety.

- Particular attention should be paid not to allow unaccompanied children to use the appliance.
- Make sure voltage indicated on the nameplate corresponds to the local mains supply voltage.
- Before use, extend and straighten the power cord.
- Packaging materials (bags, polyethylene, polystyrene, etc.) should be kept away from children during unpacking.
- Before connecting the hood to the mains power supply always check that the power cord is properly installed and is not trapped by the appliance. Do not connect the appliance to the mains until assembly is complete.
- Do not operate your kitchen hood without the aluminium grease filters.
- It is strictly forbidden to cook dishes under on an open flame (flambé) under your kitchen hood.
- Always strictly adhere to regulations issued by the competent local authorities regarding the technical and safety requirements for fume extraction.
- Failing to tighten bolts and fasteners in accordance with these instructions may endanger life and health.
- Hanging kitchen hoods operate only in air circulation / odour absorber mode
- **WARNING!** Failure to install the screws or fixing device in accordance with these instructions may result in electrical hazards.
- This appliance can be used by children aged 8 years and older or by persons with physical, mental or sensory handicaps, or by those who are inexperienced or unfamiliar with the appliance, provided they are supervised or have been instructed how to safely use the appliance and are familiar with risks associated with the use of the appliance. Ensure that children do not play with the appliance. Cleaning and maintenance of the appliance should not be performed by children unless they are 8 years or older and are supervised by a competent person.

UNPACKING

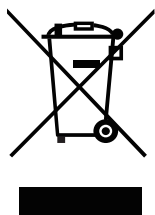


During transportation, protective packaging was used to protect the appliance against any damage. After unpacking, please dispose of all elements of packaging in a way that will not cause damage to the environment.

All materials used for packaging the appliance are environmentally friendly; they are 100% recyclable and are marked with the appropriate symbol.

Important! Packaging materials (bags, polyethylene, polystyrene, etc.) should be kept away from children during unpacking.

DISPOSAL OF OLD APPLIANCE



In accordance with European Directive 2012/19/EU and local legislation regarding used electrical and electronic goods, this appliance is marked with the symbol of the crossed-out waste container. This marking indicates that the appliance must not be disposed of together with other household waste

after it has been used.

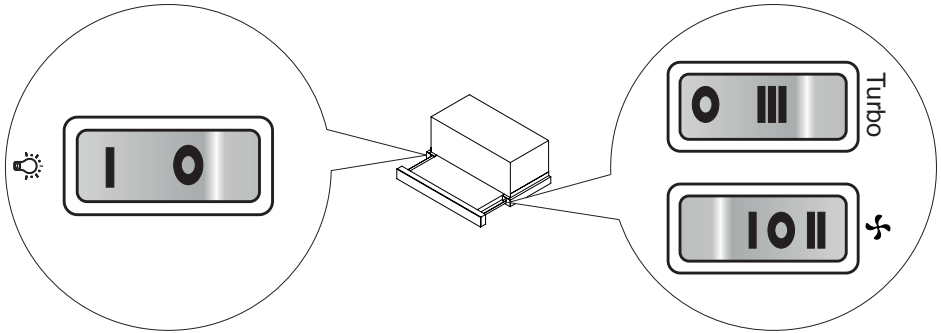
The user is obliged to hand it over to waste collection centre collecting used electrical and electronic goods. The collectors, including local collection points, shops and local authority departments provide recycling schemes.

Proper handling of used electrical and electronic goods helps avoid environmental and health hazards resulting from the presence of dangerous components and the inappropriate storage and processing of such goods.

OPERATION

Kitchen hood controls


Control Panel is shown in Figure 4, for reference it is also shown below:



The control panel is equipped with buttons (rocker switch). You can use the buttons once the retractable front panel is ejected. Telescopic kitchen hood is equipped with a limit switch. Every time, when you eject the retractable front panel, the hood fan will start at the previously set speed.

Available speeds (when retractable front panel ejected):

- I- Low speed. Use this speed when cooking a little food with hardly any fumes.
- II- Medium speed. Use this speed when cooking multiple dishes at the same time with moderate amount of fumes.
- III- High speed. Use this speed when frying or grilling, with large amount of fumes.
- O- The hood off (ejecting the retractable front panel will not start the fan).

Press  to turn the lighting on/off. The lighting operates independently of hood fan.

According to the model limit switch also turns off the lights when you retract the front panel.

Other important information concerning the operation of the hood

Operation in air circulation / odour filter mode. In this mode, the filtered air returns to the room through the outlets. Install activated charcoal filter in this setting. It is recommended to install the air guide (available depending on the model, mainly in chimney cooker hoods).

Air extraction operation: When cooker hood operates in extraction mode, air is discharged outside through an extraction duct. Remove activated charcoal filter in this setting. The cooker hood is connected to the air outlet opening using a rigid or flexible extraction duct with a diameter of 150 or 120 mm, and the appropriate clamps, which must be purchased at a hardware store. The appliance should be installed by a qualified installer.

Fan speed: Lowest and medium fan speed is used in normal conditions and less intense odours, while the highest speed is used only when cooking odours are very intense, such as during frying or grilling.

Note (applies to universal hoods only): Due to the design of universal hoods you need to manually change the mode of operation. See Figure 8 for instructions on how to change the mode.

Note (only applies to telescopic and in-built kitchen hoods): Furniture and telescopic cooker hoods operating in air recirculation mode require installation of the exhaust duct. The other end of the duct should be directed to the room as it will discharge filtered air.

Note: Hanging kitchen hoods operate only in air circulation / odour absorber mode

CLEANING AND MAINTENANCE

Maintenance

Regular maintenance and cleaning of the appliance will ensure trouble-free operation of the cooker hood and extend its life. Especially make sure that the grease filter and activated charcoal filter are replaced according to manufacturer's recommendations.

- Do not use a soaked cloth, sponge, or water jet.
- Do not use solvents or alcohol, as they may tarnish lacquered surfaces.
- Do not use caustic substances, especially for cleaning stainless steel.
- Do not use a rough or abrasive cloth.
- It is recommend to use a damp cloth and a neutral detergent.

Note: After several washes in the dishwasher, the colour of the aluminium filter may change. The change of colour does not indicate improprieties or the necessity to change it.

Grease filter

For normal hood operation, grease filter should be cleaned every month in the dishwasher or by hand using a mild detergent or liquid soap.

Dismantling of grease filter is shown on Figure 5.

Acrylic filter is used in some models. This filter should be replaced at least once every 2 months or more frequently if the appliance is used intensively.

Activated charcoal filter

Charcoal filter is used only when the cooker hood is not connected to the ventilation duct. Activated charcoal filter can absorb odours until saturated. Charcoal filter is not suitable for washing or regeneration and should be replaced at least once every 3-4 months or more frequently if the appliance is used intensively.

Dismantling of charcoal filter is shown on Figure 6.

Light

Use incandescent / halogen / LED modules of the same specification as those factory-installed in the appliance. See Figure 7 for details how to replace lights. If there is no such figure in this manual, please contact authorised service to replace the lighting module.

Szanowny Kliencie

Od dziś codzienne obowiązki staną się prostsze niż kiedykolwiek. Urządzenie **Amica** to połączenie wyjątkowej łatwości obsługi i doskonałej efektywności. Po przeczytaniu instrukcji, obsługa nie będzie problemem.

Sprzęt, który opuścił fabrykę był dokładnie sprawdzony przed zapakowaniem pod względem bezpieczeństwa i funkcjonalności na stanowiskach kontrolnych.

Prosimy Państwa o uważną lekturę instrukcji obsługi przed uruchomieniem urządzenia. Przestrzeganie zawartych w niej wskazówek uchroni Państwa przed niewłaściwym użytkowaniem. Instrukcję należy zachować i przechowywać tak, aby mieć ją zawsze pod ręką.

Należy dokładnie przestrzegać instrukcji obsługi w celu uniknięcia nieszczęśliwych wypadków.

Z poważaniem

Amica

WSKAZÓWKI DOTYCZĄCE BEZPIECZEŃSTWA

- Okap należy używać dopiero po przeczytaniu tej instrukcji
- Urządzenie przeznaczone jest wyłącznie do użytku domowego.
- Producent zastrzega sobie możliwość dokonywania zmian niewpływających na działanie urządzenia.
- Producent nie ponosi żadnej odpowiedzialności za ewentualne szkody lub pożary spowodowane przez urządzenie wynikające z nieprzestrzegania zaleceń podanych w niniejszej instrukcji.
- Okap nadkuchenny służy do usuwania oparów kuchennych. Nie należy go używać do innych celów.
- Okap pracujący w trybie wyciągu należy podłączyć do odpowiedniego kanału wentylacyjnego (nie podłączać do kanałów kominowych, dymowych lub spalinowych, będących w eksploatacji). Okap wymaga zainstalowania przewodu odprowadzającego powietrze na zewnątrz. Długość przewodu (najczęściej rura \varnothing 120 mm lub 150 mm) nie powinna być dłuższa niż 4-5 m. Przewód odprowadzający powietrze jest również wymagany przy okapach teleskopowych i meblowych w trybie pochłaniacza.
- Okap pracujący w trybie pochłaniacza wymaga zainstalowania filtra z węglem aktywnym. W tym przypadku nie wymaga się instalowania przewodu odprowadzającego powietrze na zewnątrz, zaleca się natomiast montaż kierownicy wydmuchu powietrza (występuje głównie w okapach kominowych).
- Okap posiada niezależne oświetlenie oraz wentylator wyciągowy z możliwością ustawienia jednej z kilku prędkości obrotowych.
- W zależności od wersji urządzenia, okap jest przeznaczony do trwałego zamocowania na pionowej

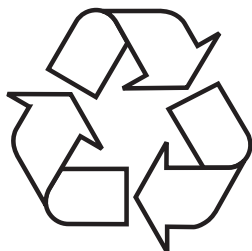
ścianie ponad kuchenką gazową lub elektryczną (okapy kominowe i uniwersalne); na suficie ponad kuchenką gazową lub elektryczną (okapy wyspowe); na pionowej ścianie w zabudowie meblowej ponad kuchenką gazową lub elektryczną (okapy teleskopowe i do zabudowy). Przed montażem należy się upewnić czy konstrukcja ściany / sufitu jest odpowiednia do utrzymania okapu. Niektóre modele okapów są bardzo ciężkie.

- Wysokość montażu urządzenia nad płytą elektryczną podana jest w karcie produktu (specyfikacji technicznej urządzenia). Jeżeli w instrukcjach instalowania urządzeń gazowych podano większą odległość, należy to uwzględnić (Rys. 1);
- Pod okapem kuchennym nie wolno pozostawiać odkrytego płomienia, podczas zdejmowania naczyń znad palnika, należy ustawić minimalny płomień. Zawsze należy sprawdzać czy płomień nie wykracza poza naczynie, gdyż powoduje to niepożądane straty energii i niebezpieczną koncentrację ciepła.
- Potrawy przygotowywane na tłuszczach powinny być stale nadzorowane, gdyż przegrzany tłuszcz może się łatwo zapalić.
- Przed każdą operacją czyszczenia, wymianą filtra lub przed podjęciem prac naprawczych, należy wyjąć wtyczkę urządzenia z gniazdka.
- Filtr przeciw tłuszczowy do okapu kuchennego należy czyścić, co najmniej, raz na 1 miesiąc, gdyż nasycony tłuszczem jest łatwopalny.
- Jeżeli w pomieszczeniu, oprócz okapu, eksploatuje się inne urządzenia o zasilaniu nieelektrycznym (np. piece na paliwa ciekłe, grzejniki przepływowe, termy), należy zadbać o wystarczającą wentylację (dopływ powietrza). Bezpieczna eksploatacja jest możliwa, gdy przy jednoczesnej pracy okapu i urządzeń spalających, zależnych od powietrza w pomieszczeniu, w miejscu ustawienia tych urządzeń panuje podciśnienie najwyżej 0,004 milibara (ten punkt nie obowiązuje, gdy okap nadkuchenny jest użytkowany jako pochłaniacz zapachów).

- Okap nie powinien służyć jako płaszczyzna podparcia dla osób znajdujących się w kuchni.
- Okap powinien być często czyszczony zarówno na zewnątrz jak i od wewnątrz (PRZYNAJMNIEJ RAZ W MIESIĄCU, z zachowaniem wskazówek dotyczących konserwacji podanych w niniejszej instrukcji). Nieprzestrzeganie zasad dotyczących czyszczenia okapu oraz wymiany filtrów powoduje powstanie zagrożenia pożarem.
- Jeżeli przewód zasilający ulegnie uszkodzeniu, to powinien być wymieniony w specjalistycznym zakładzie naprawczym.
- Należy zapewnić możliwość odłączenia urządzenia od sieci elektrycznej, poprzez wyjęcie wtyczki lub wyłączenie wyłącznika dwubiegunowego.
- Niniejszy sprzęt nie jest przeznaczony do użytkowania przez osoby (w tym dzieci) o ograniczonej zdolności fizycznej, czuciowej lub psychicznej, lub osoby o braku doświadczenia lub znajomości sprzętu, chyba że odbywa się to pod nadzorem lub zgodnie z instrukcją użytkowania sprzętu, przekazaną przez osoby odpowiadające za ich bezpieczeństwo.
- Należy zwrócić szczególną uwagę, aby z urządzenia nie korzystały pozostawione bez opieki dzieci.
- Sprawdzić, czy napięcie podane na tabliczce znamionowej odpowiada miejscowym parametrom zasilania.
- Przed montażem rozwinąć i wyprostować przewód sieciowy.
- Materiały opakowaniowe (woreczki polietylenowe, kawałki styropianu itp.) należy w trakcie rozpakowywania trzymać z dala od dzieci.
- Przed podłączeniem okapu do zasilania sieciowego należy zawsze skontrolować czy kabel zasilania został prawidłowo zainstalowany i NIE został przygnieciony przez okap w trakcie czynności montażowych. Nie podłączać urządzenia do sieci elektrycznej przed ukończeniem montażu.
- Zabrania się użytkować okap bez zamontowanych aluminiowych filtrów przeciwłuszczych.

- Surowo zabrania się przygotowywania pod okapem potraw z użyciem otwartego ognia (flambrowanie).
- W zakresie koniecznych do zastosowania środków technicznych i bezpieczeństwa dotyczących odprowadzania spalin należy ściśle przestrzegać przepisów wydanych przez kompetentne władze lokalne.
- Niedokręcenie śrub oraz elementów mocujących zgodnie z niniejszymi instrukcjami może spowodować zagrożenia zdrowia i życia.
- Okapy wiszące działają tylko w trybie pochłaniania zapachów
- UWAGA! Instalacja śrub i elementów mocujących niezgodnie z instrukcją może spowodować zagrożenia elektryczne.
- Montaż okapu wykonany w sposób niezgodny z rysunkami i zaleceniami niniejszej instrukcji będzie miał wpływ na jakość pracy urządzenia, może być również podstawą do nieuznania reklamacji.
- To urządzenie może być używane przez dzieci w wieku 8 lat i starsze, przez osoby o ograniczonej zdolności fizycznej, czuciowej lub psychicznej oraz osoby o braku doświadczenia lub znajomości sprzętu, gdy są one nadzorowane lub zostały poinstruowane na temat korzystania z urządzenia w sposób bezpieczny i znają zagrożenia związane z użytkowaniem urządzenia. Dzieci nie powinny bawić się urządzeniem. Czyszczenie i konserwacja urządzenia nie powinna być wykonywana przez dzieci chyba że ukończyły 8 lat i są nadzorowane przez odpowiednią osobę.

ROZPAKOWANIE



Urządzenie na czas transportu zostało zabezpieczone przed uszkodzeniem. Po rozpakowaniu urządzenia prosimy Państwa o usunięcie elementów opakowania w sposób niezagrażający środowisku.

Wszystkie materiały zastosowane do opakowania są nieszkodliwe dla środowiska naturalnego, w 100% nadają się do odzysku i oznakowano je odpowiednim symbolem.

Uwaga! Materiały opakowaniowe (woreczki polietylenowe, kawałki styropianu itp.) należy w trakcie rozpakowywania trzymać z dala od dzieci.

USUWANIE ZUŻYTYCH URZĄDZEŃ



To urządzenie jest oznaczone zgodnie z Dyrektywą Europejską 2012/19/UE oraz polską Ustawą o zużytym sprzęcie elektrycznym i elektronicznym symbolem przekreślonego kontenera na odpady. Takie oznakowanie informuje, że sprzęt ten, po okresie jego użytkowania, nie może być umieszczany łącznie z innymi odpadami pochodzącymi z gospodarstwa domowego.

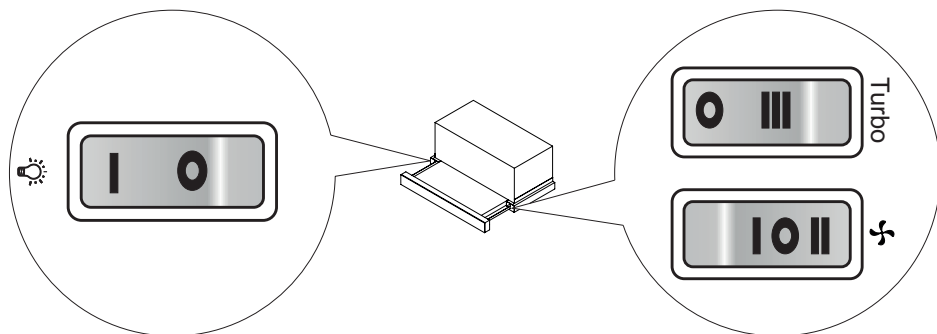
Użytkownik jest zobowiązany do oddania go prowadzącym zbieranie zużytego sprzętu elektrycznego i elektronicznego. Prowadzący zbieranie, w tym lokalne punkty zbiórki, sklepy oraz gminne jednostki, tworzą odpowiedni system umożliwiający oddanie tego sprzętu.

Właściwe postępowanie ze zużytym sprzętem elektrycznym i elektronicznym przyczynia się do uniknięcia szkodliwych dla zdrowia ludzi i środowiska naturalnego konsekwencji, wynikających z obecności składników niebezpiecznych oraz niewłaściwego składowania i przetwarzania takiego sprzętu.

OBSŁUGA

Sterowanie okapem


Panel sterowania okapu jest przedstawiony na rysunku 4, dla przypomnienia znajduje się on również poniżej:



Panel sterowania wyposażony jest przyciski (kołyska). Są one widoczne po wysunięciu frontu teleskopowego. Okap teleskopowy wyposażony jest w przełącznik krańcowy. Za każdym razem, gdy wysuniesz front teleskopowy, okap rozpocznie pracę na wcześniej ustawionym biegu.

Możliwe do ustawienia biegi (przy wysuniętym froncie):

- I- Bieg najniższy. Stosuj ten bieg przy niezbyt dużej ilości oparów.
- II- Bieg średni. Stosuj ten bieg przy średniej ilości oparów, przykładowo podczas gotowania wielu potraw jednocześnie.
- III- Bieg najwyższy. Stosuj ten bieg przy największej ilości oparów, przykładowo podczas smażenia czy grillowania.
- Okap wyłączony (wysunięcie panelu nie spowoduje uruchomienia silnika okapu).

Przycisk oznaczony jako  służy do włączenia lub wyłączenia oświetlenia. Oświetlenie w okapie działa niezależnie od silnika okapu.

W zależności od modelu przełącznik krańcowy powoduje również wyłączenie się światła gdy wsuniesz panel frontowy.

Inne ważne informacje dotyczące obsługi okapu

Praca jako pochłaniacz: W tej opcji pracy przefiltrowane powietrze wraca z powrotem do pomieszczenia poprzez otwory do tego przystosowane. Przy tym ustawieniu należy zamontować filtr węglowy oraz zaleca się zamontować kierownicę wydmuchu powietrza (dostępność w zależności od modelu, występuje głównie w okapach kominowych).

Praca jako wyciąg: W trakcie wyciągowego trybu pracy okapu powietrze odprowadzane jest na zewnątrz specjalnym przewodem. Przy tym ustawieniu należy usunąć ewentualny filtr węglowy. Okap jest podłączony do otworu odprowadzającego powietrze na zewnątrz za pomocą sztywnego lub elastycznego przewodu o średnicy 150 mm lub 120 mm i odpowiednich zacisków do przewodów, które należy nabyć w placówkach z materiałami instalacyjnymi. Podłączenie należy zlecić wykwalifikowanemu instalatorowi.

Prędkość wentylatora: Prędkości najniższą i średnią stosuje się przy normalnych warunkach oraz małym natężeniu oparów, natomiast prędkość najwyższą stosować tylko przy dużym stężeniu oparów kuchennych, np. podczas smażenia, czy grillowania.

Uwaga (dotyczy tylko okapów uniwersalnych): Konstrukcja okapów uniwersalnych wymaga ręcznej zmiany trybu pracy okapu. Sposób zmiany tego trybu zobrazowany jest na rysunku 8.

Uwaga (dotyczy tylko okapów meblowych i teleskopowych): Okapy meblowe i teleskopowe pracujące w trybie pochłaniacza wymagają montażu rury odprowadzającej powietrze. Drugi koniec rury należy skierować na pomieszczenie, przez nią będzie odprowadzane przefiltrowane powietrze.

Uwaga: Okapy wiszące pracują tylko w trybie pochłaniacza.

CZYSZCZENIE I KONSERWACJA

Konserwacja

Regularna konserwacja i czyszczenie urządzenia zapewni dobrą i bezawaryjną pracę okapu oraz przedłuży jego żywotność. Należy zwracać szczególną uwagę, aby filtr przeciwłuszczowy i filtr z węglem aktywnym były czyszczone i wymieniane zgodnie z zaleceniami producenta.

- Nie używać namoczonych szmatek lub gąbek ani strumienia wody.
- Nie stosować rozpuszczalników ani alkoholu, ponieważ mogą one zmatowić lakierowane powierzchnie.
- Nie stosować substancji żrących, zwłaszcza do czyszczenia powierzchni wykonanych ze stali nierdzewnej.
- Nie używać twardej, szorstkiej szmatki
- Zaleca się stosowanie wilgotnej szmatki oraz obojętnych środków myjących.

Uwaga: Po kilku myciach w zmywarce, kolor filtra aluminiowego może ulec zmianie. Zmiana koloru nie oznacza nieprawidłowości oraz konieczności jego wymiany.

Filtr przeciwłuszczowy

Filtr przeciwłuszczowy powinien być czyszczony co jeden miesiąc podczas normalnej pracy okapu, w zmywarce lub ręcznie przy użyciu delikatnego detergentu lub mydła w płynie.

Demontaż filtra przeciwłuszczowego pokazany jest na rysunku 5.

W niektórych modelach zastosowany jest filtr akrylowy. Należy go wymieniać co najmniej raz na 2 miesiące lub częściej w wypadku wyjątkowo intensywnego użycia.

Filtr węglowy

Filtr węglowy stosuje się wyłącznie wtedy, kiedy okap nie jest podłączony do przewodu wentylacyjnego. Filtr z węglem aktywnym posiada zdolność pochłaniania zapachów aż do swego nasycenia. Nie nadaje się także do mycia ani do regeneracji i powinien być wymieniany, co najmniej raz na 3-4 miesiące lub częściej w wypadku wyjątkowo intensywnego użycia.

Demontaż filtra węglowego pokazany jest na rysunku 6.

Oświetlenie

Należy stosować żarówki / halogeny / moduły diodowe o takich samych parametrach jak fabrycznie zamontowane w urządzeniu. Wymiana oświetlenia jest pokazana na rysunku 7. Jeżeli rysunek nie występuje w niniejszej instrukcji, wymiany modułu oświetlenia może dokonać jedynie autoryzowany serwis.

GWARANCJA, OBSŁUGA POSPRZEDAŻOWA

Gwarancja

Świadczenia gwarancyjne wg karty gwarancyjnej. Producent nie odpowiada za jakiegokolwiek szkody spowodowane nieprawidłowym postępowaniem z wyrobem.

Serwis

- Producent sprzętu sugeruje, by wszelkie naprawy i czynności regulacyjne były wykonywane przez Serwis Fabryczny lub Serwis Autooryzowany producenta. Ze względu na bezpieczeństwo nie należy naprawiać urządzenia we własnym zakresie.
- Naprawy, wykonywane przez osoby nie posiadające wymaganych kwalifikacji mogą stanowić poważne niebezpieczeństwo dla użytkownika urządzenia.
- Minimalny okres obowiązywania gwarancji na urządzenie oferowane przez producenta, importera lub upoważnionego przedstawiciela jest podany w karcie gwarancyjnej.
- Urządzenie traci gwarancję w wyniku samowolnych adaptacji, przeróbek, naruszenia plomb lub innych zabezpieczeń sprzętu lub jego części oraz innych samowolnych ingerencji w sprzęt niezgodnych z instrukcją obsługi.

Zgłoszenie naprawy oraz pomoc w razie usterki

Jeżeli urządzenie wymaga naprawy, należy skontaktować się z serwisem. Dane adresowe serwisu jak i kontaktowy numer telefonu znajduje się w karcie gwarancyjnej. Przed kontaktem należy przygotować numer seryjny urządzenia, znajduje się on na tabliczce znamionowej. Dla wygody przepisz go poniżej:

--	--	--	--	--	--	--	--	--	--	--	--	--	--	--	--	--	--

Oświadczenie producenta

Producent deklaruje niniejszym, że wyrób ten spełnia zasadnicze wymagania wymienionych poniżej dyrektyw europejskich:

- **Dyrektywy niskonapięciowej 2014/35/EU**
- **Dyrektywy kompatybilności elektromagnetycznej 2014/30/EU**
- **Dyrektywy ekoprojektowania 2009/125/EC**
- **Dyrektywy RoHS 2011/65/EU**

i dlatego wyrób został oznakowany  oraz została wystawiona dla niego deklaracja zgodności udostępniana organom nadzorującym rynek.

Vážený kliente,

počínaje dnešním dnem jsou každodenní povinnosti jednodušší než kdykoli jindy. Zařízení **Amica** je spojením výjimečně snadné obsluhy a vynikající efektivity. Po přečtení návodu nebudete mít problém s obsluhou.

Zařízení, které opustilo továrnu, bylo důkladně zkontrolováno před zabalením z hlediska bezpečnosti a funkčnosti na kontrolních stanovištích.

Před uvedením zařízení do provozu si pozorně přečtěte návod k obsluze. Dodržováním pokynů uvedených v návodu předejdete nesprávnému používání. Návod si ponechte a uschovejte tak, abyste jej měli vždy při ruce.

Dodržujte přesně návod k obsluze, abyste zabránili nešťastným událostem.

S úctou

Amica

BEZPEČNOSTNÍ POKYNY

- Odsavač používejte teprve po přečtení tohoto návodu!
- Zařízení je určeno výlučně pro domácí použití.
- Výrobce si vyhrazuje možnost provádění změn, které nemají vliv na funkčnost zařízení.
- Výrobce nenese žádnou odpovědnost za eventuelní škody nebo požár způsobené zařízením, vyplývající z nedodržování pokynů uvedených v tomto návodu.
- Kuchyňský odsavač slouží k odstraňování kuchyňských výparů. Nepoužívejte jej pro jiné účely.
- Odsavač pracující v odtahovém režimu napojte na příslušný ventilační kanál (nenapojujte na komínové, kouřové nebo spalinové kanály, které jsou v provozu). Odsavač musí mít namontované potrubí odvádějící vzduch ven. Délka potrubí (nejčastěji roura Ø 120 nebo 150 mm) nesmí být delší než 4–5 m. Potrubí odvádějící vzduch se rovněž vyžaduje u teleskopických a nábytkových odsavačů v režimu pohlcovače.
- Odsavač pracující jako pohlcovač vyžaduje filtr s aktivním uhlím. V tomto případě není nutná montáž potrubí odvádějícího vzduch ven, zato se doporučuje namontovat zpětnou klapku vzduchu (pouze komínové odsavače).
- Odsavač má nezávislé osvětlení a odtahový ventilátor s možností nastavení jedné z několika rychlostí otáček.
- V závislosti na verzi zařízení je odsavač určen pro trvalé připevnění na svislou stěnu nad plynový nebo elektrický sporák (komínové a univerzální odsavače); na strop nad plynový nebo elektrický sporák (ostrůvkové odsavače); na svislou stěnu v kuchyňské lince nad plynový nebo elektrický sporák (teleskopické a vestavné odsavače). Před montáží se ujistěte, že konstrukce stěny/stropu udrží hmotnost odsavače. Některé modely odsavačů jsou velmi těžké.
- Montážní výška zařízení nad elektrickou deskou

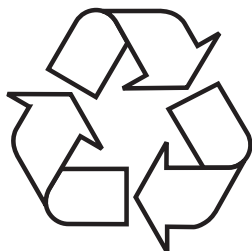
je uvedena v technickém listu (technické specifikaci zařízení). Pokud v montážních návodech plynových zařízení je uvedena větší vzdálenost, zohledněte to (Obr. 1).

- Pod kuchyňským odsavačem nenechávejte otevřený plamen při odsávání nádobí z hořáku, nastavte minimální plamen. Vždy zkontrolujte, zda plamen nepřesahuje přes okraj nádoby, protože to způsobuje nežádoucí ztráty energie a nebezpečnou koncentraci tepla.
- Na pokrmy připravované na tuku neustále dohlížejte, protože rozehřátý tuk se může snadno vznítit.
- Před každým čištěním, výměnou filtru nebo před zahájením opravy vyjměte zástrčku zařízení ze zásuvky.
- Protitukový filtr do kuchyňského odsavače čistěte alespoň jednou za měsíc, protože nasáknutý tukem je lehce hořlavý.
- Pokud jsou v místnosti v provozu kromě odsavače jiná zařízení s neelektrickým napájením (např. kamna na kapalné palivo, průtokové ohřivače, termy), zajistěte dostatečné větrání (přívod vzduchu). Bezpečné používání je možné, když při současném provozu odsavače a spalovacích zařízení, závislých na vzduchu v místnosti, je v místě postavení těchto zařízení podtlak nanejvýš 0,004 milibaru (tento bod neplatí, pokud kuchyňský odsavač používáte jako pohlcovač pachů).
- Odsavač nemá sloužit jako plocha pro opření se osob nacházejících se v kuchyni.
- Okap často čistěte jak z vnějšku, tak i uvnitř (ALESPON JEDNOU ZA MĚSÍC, s dodržением pokynů ohledně údržby uvedených v tomto návodu). Nedodržování zásad týkajících se čištění odsavače a výměny filtrů způsobuje nebezpečí požáru.
- Pokud se napájecí kabel poškodí, musí být vyměněn ve specializovaném servisu.
- Zajistěte možnost odpojení zařízení od elektrického napájení vytažením zástrčky nebo vypnutím dvoupolového vypínače.
- Toto zařízení není přizpůsobeno používání osobami (včetně dětí) s omezenou fyzickou, smyslovou nebo psychickou schopností nebo osobami s nedostatečnými zkušenostmi a znalostmi zařízení,

ledaže jej používají pod dohledem nebo v souladu s návodem k používání zařízení, předaným osobami zodpovídajícími za jejich bezpečnost.

- Všimněte si pozorně, aby zařízení nepoužívaly děti ponechané bez dozoru.
- Zkontrolujte, zda napětí uvedené na výrobním štítku odpovídá místním parametrům napájení.
- Před montáží roztáhněte a vyrovnejte síťový kabel.
- Obalové materiály (polyetylenové sáčky, pěnový polystyren apod.) nenechávejte při vybalování v dosahu dětí.
- Před připojením odsavače k elektrickému napájení vždy zkontrolujte, zda je síťový kabel správně nainstalován a zda NEBYL přimáčknutý odsavačem při montáži. NEPŘIPOJUJTE zařízení k elektrické síti před ukončením montáže.
- Je zakázáno používat odsavač bez namontovaných hliníkových protitukových filtrů.
- Přísně je zakázáno připravovat pod odsavačem pokrmy na otevřeném ohni (flambování).
- V rámci nutnosti použití technických a bezpečnostních opatření týkajících se odvádění spalin dodržujte přesně předpisy vydané kompetentními místními orgány.
- Neutažení šroubů a upevňovacích prvků podle těchto pokynů může vést k ohrožení zdraví a života.
- Závěsné odsavače fungují pouze v režimu pohlcovače pachů.
- **POZOR!** V případě chybějící instalace šroubů a úchytných prvků dle pokynů uvedených v tomto návodu může dojít k vzniku nebezpečí elektrické povahy.
- To zařízení může být používané dětmi ve věku 8 let a staršími, osoby s omezenými fyzickými anebo mentálními schopnostmi, jak rovněž osoby bez zkušenosti a bez znalosti zařízení, mohou konvici používat, pokud jsou dozorované anebo byly instruované ohledně obsluhy zařízení bezpečným způsobem a znají ohrožení spojené s používáním zařízení. Děti si nemohou se zařízením hrát. Čištění a konzervace zařízení nemůže být vykonávána dětmi, ledaže skončily 8 let a mají dohled zodpovědné osoby.

VYBALENÍ



Zařízení bylo po dobu přepravy zabezpečeno proti poškození. Po vybalení zařízení odstraňte části obalu způsobem, který neohrožuje životní prostředí.

Všechny materiály použité na obal jsou stoprocentně neškodné pro životní prostředí a jsou vhodné pro zpětné získání a byly označeny příslušným symbolem. Upozornění! Obalové materiály (polyetylenové sáčky, pěnový polystyren apod.) nenechávejte při vybalování v dosahu dětí.

LIKVIDACE OPOTŘEBOVANÝCH ZAŘÍZENÍ



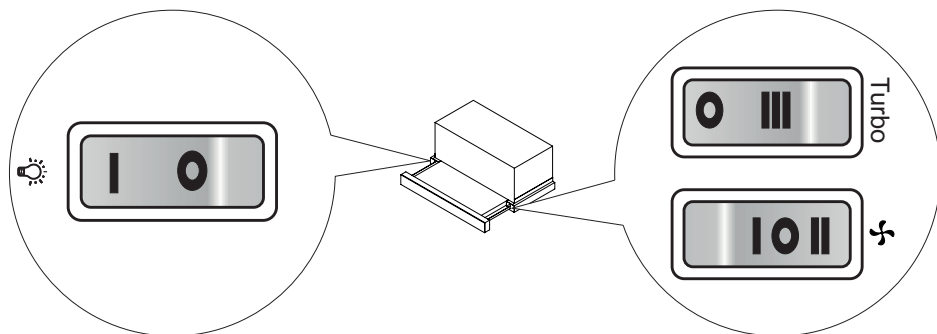
Toto zařízení je označeno v souladu s evropskou směrnicí 2012/19/ES. Takové označení znamená, že toto zařízení se po ukončení životnosti nesmí vyhazovat společně s jiným domácím odpadem.

Uživatel je povinen odevzdat jej do sběrný použitých elektrických a elektronických zařízení. Provádějící sběr, včetně místních sběren, obchodů a obecních úřadů, tvoří systém umožňující odevzdávání těchto zařízení. Příslušné nakládání s použitými elektrickými a elektronickými zařízeními zabranuje negativním následkům pro lidské zdraví a životní prostředí, vznikajícím z přítomnosti nebezpečných složek a nesprávného skladování a zužitkování takových zařízení.

OBSLUHA

Ovládání odsavače

Ovládací panel odsavače je znázorněn na obrázku 4, pro připomenutí se nachází také níže:



Ovládací panel je vybaven tlačítky (kolébka). Tlačítka jsou viditelná po vyklopení čelního panelu.

Teleskopický odsavač je vybaven koncovým vypínačem. Pokaždé, když sklopíte čelní panel, odsavač začne pracovat s dříve nastavenou rychlostí.

Nastavitelné rychlosti (při sklopeném čelním panelu):

- I- Nejnižší rychlost. Tuto rychlost používejte při malém množství páry.
- II- Střední rychlost. Tuto rychlost používejte při středním množství páry, například při vaření více pokrmů najednou.
- III- Nejvyšší rychlost. Tuto rychlost používejte při největším množství páry, například při smažení nebo grilování.
- Vypnutý odsavač (vyklopení panelu nespustí motor odsavače).

Tlačítko označené jako  slouží pro zapnutí nebo vypnutí osvětlení. Osvětlení odsavače funguje nezávisle na motoru odsavače.

V závislosti od modelu Jakmile zasunete čelní panel, koncový vypínač vypne také osvětlení.

Jiné důležité informace o obsluze odsavače

Provoz jako pohlčovač: V tomto provozním režimu se přefiltrovaný vzduch vrací zpět do místnosti k tomu přizpůsobenými otvory. Při tomto nastavení nainstalujte uhlíkový filtr a doporučuje se montáž zpětné vzduchové klapky (dostupnost v závislosti na modelu, vyskytuje se hlavně v komínových odsavačích).

Provoz jako odtah: Během odtahového provozního režimu odsavače je vzduch odváděn vně speciálním potrubím. Při tomto nastavení odstraňte eventuální uhlíkový filtr. Odsavač je připojen k otvoru odvádějícímu vzduch ven pomocí tuhého nebo pružného potrubí o průměru 150 mm nebo 120 mm a vhodných svorek k potrubím, které je třeba zakoupit v prodejnách s instalačním materiálem. Připojení svěřte kvalifikovanému pracovníkovi.

Rychlost ventilátoru: Nejnižší a střední rychlost používejte za normálních podmínek a při nízké koncentraci výparů, zatímco nejvyšší rychlost používejte pouze při vysoké koncentraci kuchyňských výparů, např. při smažení nebo grilování.

Poznámka (týká se pouze univerzálních odsavačů): Konstrukce univerzálních odsavačů vyžaduje manuální změnu provozního režimu odsavače. Způsob změny tohoto režimu je znázorněn na obrázku 8.

Poznámka (týká se pouze nábytkových a teleskopických odsavačů): Nábytkové a teleskopické odsavače pracující jako pohlčovač vyžadují montáž roury odvádějící vzduch. Druhý konec roury nasměrujte do místnosti, rourou bude odváděn filtrovaný vzduch.

Upozornění: Závěsné odsavače pracují pouze jako pohlčovač.

ČIŠTĚNÍ A ÚDRŽBA

Údržba

Pravidelná údržba a pravidelné čištění zařízení zajistí správný a bezporuchový provoz odsavače a prodlouží jeho životnost. Věnujte zvláštní pozornost tomu, aby se protitukový filtr a filtr s aktivním uhlím čistily a měnily podle pokynů výrobce.

- Nepoužívejte navlhčené hadříky nebo houby a také proud vody.
- Nepoužívejte rozpouštědla a alkohol, protože by mohly zmatnit lakované povrchy.
- Nepoužívejte leptavé látky, zejména na čištění povrchů z nerezové oceli.
- Nepoužívejte tvrdý, drsný hadřík.
- Doporučuje se používat vlhký hadřík a neutrální čisticí přípravky.

Upozornění: Po několika mytích v myčce se může změnit barva hliníkového filtru. Změna barvy neznamená odchylku a nutnost jeho výměny.

Protitukový filtr

Protitukový filtr čistěte jednou za měsíc během normálního provozu odsavače, v myčce nebo ručně jemným čisticím přípravkem nebo tekutým mýdlem.

Demontáž protitukového filtru je znázorněna na obrázku 5.

U některých modelů se používá akrylový filtr. Měňte jej alespoň jednou za dva měsíce nebo častěji v případě výjimečně intenzivního používání.

Uhlíkový filtr

Uhlíkový filtr používejte pouze v případě, když odsavač není připojen k ventilačnímu kanálu. Filtr s aktivním uhlím má schopnost pohlcovat pachy až do svého nasycení. Není vhodný také k mytí a regeneraci a musí se měnit alespoň jednou za 3-4 měsíce nebo častěji v případě výjimečně intenzivního používání.

Demontáž uhlíkového filtru je znázorněna na obrázku 6.

Osvětlení

Používejte žárovky / halogeny / diodové moduly se stejnými parametry jako u původních namontovaných v zařízení. Výměna žárovek je znázorněna na obrázku 7. Pokud obrázek není v tomto návodu, výměnu osvětlovacího modulu může provést pouze autorizovaný servis.

ZÁRUKA, POPRODEJNÍ SERVIS

Záruka

Záruční plnění podle záručního listu. Výrobce neodpovídá za žádné škody způsobené nesprávným zacházením s výrobkem.

Servis

- Výrobce zařízení doporučuje, aby všechny opravy a seřizovací činnosti prováděl tovární servis nebo autorizovaný servis výrobce. Z bezpečnostních důvodů neopravujte zařízení vlastními silami.
- Opravy osobami bez požadované kvalifikace mohou představovat vážné nebezpečí pro uživatele zařízení.
- Minimální doba platnosti záruky na zařízení nabízené výrobcem, dovozcem nebo oprávněným zástupcem je uvedena v záručním listu.
- Zařízení ztrácí záruku v důsledku svépomocných adaptací, upravy, porušení plomb nebo dalších zabezpečení přístroje nebo jeho částí a dalších svépomocných zásahů do zařízení v rozporu s návodem k obsluze.

Oznámení poruchy a pomoc v případě závady

Potřebuje-li zařízení opravit, kontaktujte servis. Kontaktní údaje servisu včetně telefonního čísla se nacházejí v záručním listu. Před kontaktem si připravte výrobní číslo zařízení, nachází se na výrobním štítku. Pro pohodlí si ho prepíste níže:

--	--	--	--	--	--	--	--	--	--	--	--	--	--	--

Prohlášení výrobce

Producent tímto prohlašuje, že tento výrobek splňuje základní požadavky níže uvedených evropských směrnic:

- Směrnice pro nízkonapětová zařízení 2014/35/EU
- Směrnice o elektromagnetické kompatibilitě 2014/30/EU
- Směrnice ErP - 2009/125/EC
- Směrnice RoHS 2011/65/EU

Zařízení je označeno symbolem **CE** a má prohlášení o shodě pro kontrolu příslušným orgánem dozoru nad trhem.

Vážený zákazník

Od dnešného dňa každodenné povinnosti budú jednoduchšie ako kedykoľvek predtým. Zariadenie značky **Amica** spája výnimočne jednoduché používanie a dokonalú efektívnosť. Keď sa oboznámite s užívateľskou príručkou, s používaním zariadenia nebudete mať žiadne problémy.

Zariadenie, ktoré opúšťa továreň, bolo pred konečným zabalením na kontrolných staniciach dôkladne skontrolované, čo sa týka bezpečnosti a funkčnosti zariadenia.

Pred spustením zariadenia sa podrobne a dôkladne oboznámte s užívateľskou príručkou. Dodržiavaním pokynov a odporúčaní, ktoré sú v príručke uvedené, predídete nesprávnemu používaniu zariadenia. Príručku uchovajte a uložte ju na takom mieste, aby bola v prípade potreby ľahko dostupná.

Dôkladne dodržiavajte pokyny a odporúčania uvedené v príručke, vyhnete sa tak nešťastným nehodám či úrazom.

S úctou

Amica

BEZPEČNOSTNÉ POKYNY POUŽÍVANIA

- Odsávač používajte iba po prečítaní tohto návodu!
- Zariadenie je určené iba na domáce, neprofesionálne použitie.
- Výrobca si vyhradzuje právo na vykonávanie zmien, ktoré neovplyvňujú fungovanie zariadenia.
- Výrobca nezodpovedá za prípadné škody alebo požiare spôsobené zariadením následkom nedodržiavania pokynov a odporúčaní, ktoré sú uvedené v tejto príručke.
- Kuchynský odsávač sa používa na odstraňovanie (odsávanie) kuchynských pár. Nepoužívajte ho na iné účely.
- Odsávač, ktorý funguje v režime odsávania, pripojte k príslušnému ventilačnému potrubiu (nepripájajte ku komínovým, dymovým alebo spalinovým potrubiam, ktoré sú v prevádzke). Odsávač vyžaduje inštaláciu potrubia, ktoré odvádza vzduch smerom von z miestnosti. Dĺžka potrubia (najčastejšie rúra Ø 120 alebo 150 mm) nesmie byť dlhšia ako 4-5 m. Potrubie odvádzajúce vzduch sa musí používať aj v prípade teleskopických a vstavaných odsávačov používaných v režime pohlčovania
- Odsávač, ktorý je nastavený režime pohlčovania, vyžaduje inštaláciu filtra s aktívnym uhlím. V tomto prípade sa nevyžaduje inštalácia potrubia odvádzajúceho vzduch von, odporúča sa však montáž usmerňovača prúdu vzduchu (iba komínové odsávače).
- Odsávač má nezávislé osvetlenie a tiež odťahový ventilátor s možnosťou nastaviť jednu z niekoľkých rýchlostí otáčania.

- V závislosti na verzii zariadenia je odsávač určený na trvale pripevnenie na zvislú stenu nad plynovým alebo elektrickým sporákom (komínové a univerzálne odsávače); na strop nad plynovým alebo elektrickým sporákom (ostrovne odsávače); na zvislú stenu v zabudovanom nábytku nad plynovým alebo elektrickým sporákom (teleskopické a vstavané odsávače). Pred inštaláciou sa uistite, či konštrukcia steny / stropu je dostatočná na udržanie odsávača. Niektoré modely odsávačov sú veľmi ťažké.
- Výška inštalácie zariadenia nad elektrickou varnou doskou je uvedená v liste výrobku (technickej špecifikácii zariadenia). Ak je v montážnej príručke plynových zariadení uvedená väčšia vzdialenosť, musí to byť pri montáži zohľadnené (obr. 1).
- Pod kuchynským odsávačom nenechávajte otvorený oheň, pri vyberaní riadu z horáku nastavte minimálny plameň. Vždy skontrolujte, či plameň nepresahuje poza riad, pretože to spôsobuje nežiaduce straty energie a nebezpečnú koncentráciu tepla.
- Jedlá pripravované na tuku/oleji musia byť pod stálym dohľadom, pretože nahriaty olej/tuk sa môže ľahko zapáliť.
- Pred každou manipuláciou, napr. čistenie, výmena filtra alebo pred začatím servisných prác, odsávač pár sa musí odpojiť od elektrického napätia.
- Protitukový filter do kuchynského odsávača sa musí čistiť minimálne raz mesačne, keďže zachytený tuk je ľahko horľavý.
- Ak sa v miestnosti, okrem odsávača, využívajú iné zariadenia s neelektickým spaľovaním (napr. pece na tekuté palivo, prietokové ohrievače), musí sa zabezpečiť dostatočné vetranie (prísun vzduchu). Bezpečné používanie je možné vtedy, ak pri súčasnom používaní odsávača a iných zariadení,

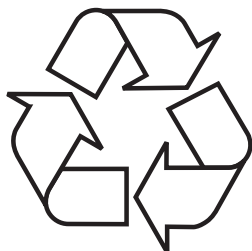
ktoré spotrebúvajú vzduch v danej miestnosti, na mieste používania týchto zariadení je podtlak maximálne 0,004 milibaru (tieto požiadavky sa nemusia splniť v prípade, ak sa odsávač používa v režime pohlcovača pár).

- Odsávač sa nesmie používať ako plocha na opieranie osôb, ktoré sú v kuchyni.
- Odsávač často čistite, tak z vonku ako aj z vnútra (MINIMALNE RAZ MESACNE), pričom dodržiavajte pokyny uvedené v tejto príručke. V prípade nedodržiavania zásad týkajúcich sa čistenia odsávača, ako aj výmeny filtrov, hrozí riziko vzniku požiaru.
- Ak bude napájací kábel bude poškodený, musí byť vymenený v špecializovanom servise.
- Zabezpečte možnosť odpojenia zariadenia od el. napätia vytiahnutím zástrčky z el. zásuvky, alebo vypnutím dvojpólového vypínača.
- Toto zariadenie nie je prispôbené k používaniu osobami (v tom deťmi) s obmedzenou fyzickou, zmyslovou alebo psychickou schopnosťou alebo osobami s nedostatočnými skúsenosťami a znalosťami zariadenia, iba ak je uskutočňované pod dohľadom alebo v súlade s návodom používania zariadenia, odovzdanom osobami odpovedajúcimi za ich bezpečnosť.
- Venujte mimoriadnu pozornosť tomu, aby spotrebič nepoužívali deti ponechané bez dozoru.
- Skontrolujte, či el. napätie uvedené na výrobnom štítku zariadenia sa zhoduje s parametrami el. napätia siete.
- Pred montážou napájací kábel rozviňte a vyrovnajte.
- Dávajte pozor, aby sa obalové materiály (polyetylénové vrecká, kúsky polystyrénu atď.) nedostali do rúk deťom.
- Pred pripojením odsávača k sieťovému napájaniu vždy skontrolujte, či bol napájací kábel správne

nainštalovaný a či NEBOL pritlačený odsávačom počas montážnych prác. Zariadenie nepripájajte k el. napätiu predtým, než úplne skončíte montáž zariadenia.

- Odsávač sa nesmie používať bez namontovaných hliníkových protitukových filtrov.
- Pod odsávačom sa v žiadnom prípade nesmú pripravovať jedlá s použitím otvoreného ohňa (flambovanie). Je to prísne zakázané.
- Čo sa týka dodržiavania požadovaných technických a bezpečnostných prostriedkov a pokynov týkajúcich sa odvádzania spalín, bezpodmienečne dodržujte platné miestne predpisy a normy.
- V prípade, ak skrutky, ako aj montážne a upevňujúce prvky nebudú správne (v súlade s touto príručkou) dotiahnuté (upevnené), hrozí riziko úrazu, či dokonca smrti.
- Visiace odsávače fungujú iba v režime pohlcovania pachov.
- **POZOR!** Chýbajúca inštalácia upevňovacích skrutiek alebo prostriedkov v súlade s týmito pokynmi môže spôsobiť úraz elektrickým prúdom.
- Toto zariadenie môže byť používané deťmi vo veku 8 rokov a starších, osoby s obmedzenými fyzickými alebo mentálnymi schopnosťami, ako aj osobami bez skúseností a bez znalostí zariadenia môžu kanvicu používať, pokiaľ sú dohliadané alebo boli inštruované vzhľadom obsluhy zariadenia bezpečným spôsobom a znajú ohrozenie spojené s používaním zariadenia. Deti si nemôžu so zariadením hrať. Čistenie a konzervácia zariadenia nemôže byť vykonávaná deťmi ledaže ukončili 8 rokov a sú dohliadané zodpovednou osobou.

ROZBALENIE



Zariadenie je chránené pred poškodením počas prepravy. Prosíme Vás, aby ste po vybalení zariadenia zlikvidovali obalové materiály spôsobom neohrozujúcim životné prostredie.

Všetky materiály použité na zabalenie sú neškodné pre životné prostredie, sú 100% recyklovateľné a sú označe-

né príslušným symbolom.

Pozor! Dávajte pozor, aby sa obalové materiály (polyetylenové vrecká, kusky polystyrénu atď.) nedostali do rúk deťom.

LIKVIDÁCIA ZARIADENÍ



Toto zariadenie je označené v súlade s Európskou smernicou 2012/19/ES. Tento symbol informuje, že toto zariadenie sa po opotrebovaní (skončení používania) nešmie vyhodiť do komunálneho odpadu. Užívateľ je povinný zariadenie odovzdať v zbernom mieste opotrebovaných elektrických a elektronických zariadení.

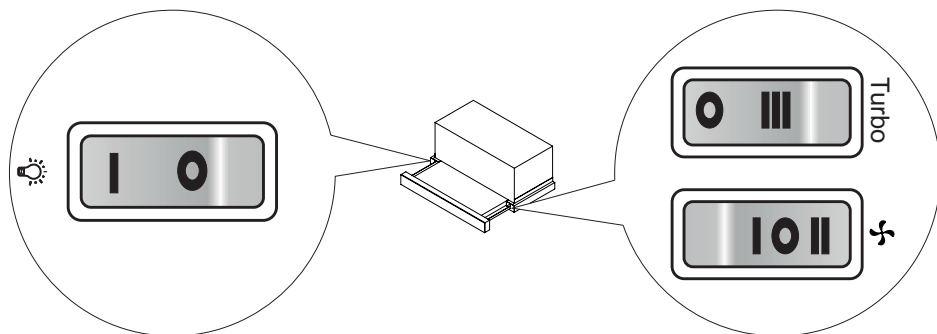
Subjekty, ktoré sa zaoberajú spracovaním opotrebovaných zariadení, tzn. miestne zberné miesta, obchody alebo jednotky štátnej správy, vytvárajú príslušný systém, ktorý každému umožňuje odovzdať takéto zariadenia.

Správny postup pri likvidácii elektrického a elektronického zariadenia predchádza negatívne mu vplyvu škodlivých pre ľudské zdravie a životné prostredie konzekvencií, ktoré vyplývajú z prítomnosti nebezpečných častí ako aj nesprávneho skladovania a recyklácie takýchto zariadení.

OBSLUHA

Ovládanie odsávača


Ovládací panel odsávača je zobrazený na obr. 4, na pripomenutie je uvedený aj nižšie:



Ovládací panel má nasledujúce tlačidlá (vahadlo). Sú viditeľné po vysunutí teleskopického čela. Teleskopický odsávač má integrovaný koncový (dorazový) spínač. Keď vysuniete teleskopické čelo, odsávač sa spustí na predtým nastavenej rýchlosti.

Dostupné rýchlosti odsávania (keď je vysunuté čelo):

- I- Najnižšia rýchlosť. Túto rýchlosť používajte, keď sa nevytvára príliš veľa pary.
- II- Stredná rýchlosť. Túto rýchlosť používajte, keď sa vytvárajú stredne veľké množstvo pary, napr. pri varení niekoľkých jedál súčasne.
- III- Najvyššia rýchlosť. Túto rýchlosť používajte, keď sa vytvára veľké množstvo pary, napr. pri vyprážaní či grilovaní.
- O- Vypnuté odsávanie (po vysunutí teleskopického čela sa odsávač ne-spustí).

Tlačidlo označené ako  je určené na zapínanie/vypínanie osvetlenia. Osvetlenie odsávača funguje nezávisle od odsávania.

V závislosti od modelu keď zasuniete teleskopické čelo aktivuje sa koncový spínač, ktorý vypne aj osvetlenie.

Iné dôležité informácie týkajúce sa používania odsávača

Režim pohlčovania: V tomto režime sa prefiltrovaný vzduch cez otvory, ktoré sú na to určené, vracia späť do miestnosti (recirkulácia). Pri tomto nastavení sa musí namontovať uhlíkový filter, a tiež odporúčame namontovať smerovač (difúzor) vychádzajúceho vzduchu (dostupný pre každý model, používa sa predovšetkým v komínových odsávačoch).

Režim odsávania: V tomto režime odsávač odvádza vzduch vonku špeciálnym potrubím. V tomto režime nepoužívajte uhlíkový filter (ak je vložený, vyberte ho). Odsávač pár sa pripája k ventilačnému komínu pomocou pevných alebo elastický rúr s priemerom 150 mm alebo 120 mm a príslušných spojok, ktoré si môžete zaobstarat' v obchodoch s inštaláčnymi materiálmi. Pripojenie je potrebné zadať kvalifikovanému technikovi.

Rýchlosť ventilátora: Najnižšia a stredná rýchlosť ventilátora sa používa v normálnych podmienkach a pri malej koncentrácii pár. Najvyššia rýchlosť sa používa iba v prípade vysokej koncentrácie kuchynských pár, napr. počas smaženia, grilovania.

Pozor (týka sa iba univerzálnych odsávačov): Univerzálne odsávače sú skonštruované tak, že zmena režimu práce odsávača sa musí vykonať ručne. Spôsob zmeny režimu je znázornený na obrázku 8.

Pozor (týka sa iba vstavaných a teleskopických odsávačov): Vstavané a teleskopické odsávače používané v režime pohlčovania, musia mať namontované potrubie odvádzajúce vzduch. Druhý koniec potrubia je potrebné nasmerovať do miestnosti, tadiaľ bude odvádzaný prefiltrovaný vzduch.

Pozor: Visiace odsávače fungujú iba v režime pohlčovania.

ČISTENIE A ÚDRŽBA

Konzervácia

Pravidelné čistenie a údržba zariadenia zaručujú dobré fungovanie odsávača a zároveň predlžujú jeho životnosť. Dôležité je pravidelné čistenie protitukových filtrov a výmena uhlíkových filtrov v súlade s odporúčaniami výrobcu.

- Nepoužívajte vlhké handričky alebo špongie ani prúd vody.
- Nepoužívajte riedidlá ani alkohol, pretože by mohli zmatnieť lakované povrchy.
- Nepoužívajte leptavé látky, najmä na čistenie povrchov z nerezovej oceli.
- Nepoužívajte tvrdé, drsné handričky
- Odporúčame používať vlhkú a jemnú handričku s použitím jemných saponátov.

Pozor: Po niekoľkých umytiach v umývačke riadu sa farba hliníkového filtra (mriežky) môže zmeniť. Taká zmena farby neznamena, že filter nefunguje správne, a že sa musí vymeniť.

Protitukový filter

Protitukový filter je potrebné čistiť každý mesiac počas normálnej prevádzky odsávača, v umývačke riadu alebo ručne s použitím jemného čistiaceho prostriedku alebo tekutého mydla.

Demontáž protitukového filtra je znázornená na obrázku č. 5.

Pri niektorých modeloch je použitý akrylový filter. Musí byť vymenený aspoň raz za 2 mesiace, alebo častejšie v prípade veľmi intenzívneho používania.

Uhlíkový filter

Uhlíkový filter sa používajú iba vtedy, ak odsávač pár nie je pripojený na ventilačný komín. Uhlíkový filter je schopný absorbovať pachy až určitú absorpčnú hladinu – nasýtenie. Uhlíkové filtre sa nesmú umývať, nie sú vhodné na regeneráciu a musia sa vymieňať, a to aspoň raz na 3-4 mesiace alebo častejšie, ak sa odsávač pár využíva intenzívne. Demontáž uhlíkového filtra je znázornená na obrázku 6.

Osvetlenie

Je potrebné používať žiarovky / halogény / diódové moduly s rovnakými parametrami ako sú nainštalované výrobcom v zariadení. Výmena osvetlenia je znázornená na obrázku č. 7. Ak obrázok nie je v tejto príručke uvedený, modul osvetlenia môže vymeniť iba autorizovaný servis.

ZÁRUKA, POPREDAJNÝ SERVIS

Záruka

Záruka sa poskytuje podľa podmienok uvedených v záručnom liste. Výrobca neodpovedá za akékoľvek škody spôsobené nesprávnym zaobchádzaním a používaním výrobku.

Servis

- Výrobca zariadenia odporúča, aby všetky opravy a nastavovania výrobku vždy vykonával továrenský servis alebo autorizovaný servis výrobcu. Z bezpečnostných dôvodov neopravujte spotrebič svojpomocným spôsobom.
- Opravy vykonávané osobami, ktoré nemajú požadované kvalifikácie, môže predstavovať vážne nebezpečenstvo pre používateľa zariadenia.
- Minimálna lehota platnosti záruky na zariadenie ponúkané výrobcom, dovozcom alebo oprávneným zástupcom, je uvedená v záručnom liste.
- Záruka na zariadenie prestáva platiť v dôsledku vykonania adaptácie, prerobenia zariadenia, poškodenia plomb alebo iných ochrán a zabezpečení zariadenia alebo jeho častí alebo v dôsledku iných nepovolených zásahov do zariadenia, vykonaných v rozpore z používateľskou príručkou.

Nahlásenie opravy a pomoc v prípade poruchy

Ak je potrebné zariadenie opraviť, obráťte sa na autorizovaný servis. Kontaktné údaje servisu, vrátane kontaktného telefonného čísla, sú uvedené v záručnom liste. Pred tým, ako sa obrátite na servis, pripravte sériové číslo zariadenia, ktoré je uvedené na výrobnom štítku. Na uľahčenie ho prepíšte tu:

--	--	--	--	--	--	--	--	--	--	--	--	--	--	--	--	--	--	--	--	--

Vyhlásenie výrobcu

Výrobca týmto vyhlasuje, že výrobok spĺňa dôležité požiadavky nasledujúcich európskych smerníc:

- **Smernica pre nízke napätie 2014/35/EU**
- **Smernica elektromagnetickej kompatibility 2014/30/EU**
- **Smernica ErP - 2009/125/EC**
- **Smernica RoHS 2011/65/EU**

Zariadenie je označené symbolom  a má vyhlásenie o zhode na kontrolu príslušným orgánom dohľadu nad trhom.

Stimate Client

De astăzi activitățile zilnice vor deveni mult mai simple decât oricând. Aparatul **Amica** este o combinație excepțională în utilizarea ușoară și eficiența excepțională. După citirea acestor instrucțiuni, utilizarea nu va fi o problemă.

Electrocasnicul a fost verificat minuțios pe linia de fabricație la posturile de control din punct de vedere al parametrilor de siguranță și funcționalitate înainte de a fi ambalat.

Vă rugăm să citiți cu atenție aceste instrucțiuni înainte de a utiliza aparatul. Respectarea indicațiilor cuprinse în aceste instrucțiuni vă vor permite să evitați utilizarea incorectă a electrocasnicului. Instrucțiunile trebuie păstrate și depozitate în așa fel încât să le aveți mereu la îndemână.

Instrucțiunile de utilizare trebuie respectată cu exactitate pentru a evita accidentele.

Cu deosebită stimă

Amica

INDICAȚII PRIVIND SIGURANȚA

- Hota poate fi folosită numai după citirea prezentelor instrucțiuni
- Hota este destinată numai pentru uz casnic
- Producătorul își rezervă dreptul de a efectua modificări care nu vor afecta funcționarea.
- Producătorul nu își asumă nici un fel de responsabilitate pentru eventualele daune sau incendii care vor fi cauzate de acest dispozitiv care vor rezulta din nerespectarea prevederilor cuprinse în prezentul manual.
- Hota de deasupra aragazului este destinată pentru îndepărtarea vaporilor din bucătărie. Nu trebuie folosit în alte scopuri.
- Hota care funcționează în varianta cu evacuare trebuie conectată la o conductă de evacuare corespunzătoare (nu conectați la hornuri, coșuri de fum sau de evacuare a gazelor, care se află deja în exploatare). Hota necesită instalarea unei conducte care va evacua aerul în exterior. Lungimea conductei (de obicei tub \varnothing 120 mm sau 150 mm) nu ar trebui să fie mai lungă decât 4-5 m. Tubul de evacuarea aerului este de asemenea necesar la hotele telescopice și incorporabile utilizate în varianta filtrare- recirculare.
- Hota care funcționează în varianta filtrare-recirculare necesită instalarea filtrului cu carbon activ. În acest caz nu este nevoie să montați conductă de evacuare a aerului în exterior, în schimb se recomandă montajul unui deflector, în special la hotele tip horn).
- Hota posedă iluminare independentă și ventilator de evacuare a vaporilor cu posibilitatea de setare a uneia din cele câteva viteze de rotație.
- În funcție de versiunea dispozitivului, hota este destinată pentru montajul permanent pe peretele vertical deasupra aragazului pe gaz sau a celui

electric (hotele cu horn și cele universale); pe tavan deasupra aragazului pe gaz sau a celui electric (hote tip insulă); pe peretele vertical în cadrul mobilierului incorporat deasupra aragazului pe gaz sau a celui electric (hotele telescopice și cele incorporabile). Înainte de începerea montajului trebuie să vă asigurați că structura peretelui / tavanului este corespunzătoare pentru susținerea hotei. Unele modele de hote sunt foarte grele.

- Înălțimea de montare a hotei deasupra plitei electrice este menționată în instrucțiunile produsului (specificația tehnică a hotei). În cazul în care în manualul pentru instalarea dispozitivelor cu gaz este precizată o distanță mai mare, se va respecta aceasta distanță (Fig.1).
- Sub hota de bucătărie nu se permite lăsarea flăcării deschise, în timpul dării la o parte a vaselor de pe zona de gătit, trebuie setată flacăra cea mai mică.. Întotdeauna trebuie să verificați dacă flacăra iese în afara vasului, deoarece aceasta poate conduce la pierderea nedorită a energiei și la o concentrare periculoasă a căldurii.
- Mâncărurile care sunt pregătite cu folosirea uleiului trebuie în permanență supravegheate, deoarece uleiul încins se poate aprinde foarte repede.
- Înainte de fiecare operațiune de curățare, înlocuire a filtrului sau înainte de a începe lucrările de reparare, trebuie să scoateți ștecherul din priză.
- Filtrul împotriva grăsimilor pentru hota de bucătărie trebuie curățat cel puțin 1 dată pe lună, deoarece plin de grăsime este ușor inflamabil.
- În cazul în care în încăperea, în afara hotei, sunt exploatate și alte dispozitive cu alimentare ne-electrică (de ex. sobe cu combustibil lichid, încălzitoare apă, boilere), trebuie să aveți grijă ca sistemul de aerisire să fie corespunzător (fluxul de aer). Exploatarea în siguranță este posibilă în cazul în care în timpul funcționării concomitente a hotei și a dispozitivelor de ardere, în funcție de aerul din încăperea, pe locul de amplasare a acestor dispozitive există subpresiune nu mai mare

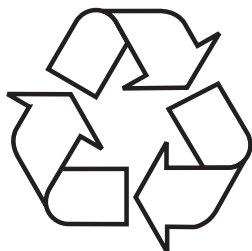
de 0,004 milibari (acest punct nu este obligatoriu, atunci când hota de deasupra aragazului este folosită ca sistem de absorbție a mirosurilor).

- Hota de bucătărie nu trebuie să fie folosită ca suprafață de sprijin pentru persoanele care se află în bucătărie.
- Hota trebuie să fie curățată frecvent atât în exterior cât și în interior (CEL PUȚIN ODATA PE LUNA, respectând indicațiile privind întreținerea prezentate în manual). Nerespectarea acestor reguli privind curățarea hotei și schimbul de filtre poate duce la apariția de incendii.
- În cazul în care cablul de alimentare va fi deteriorat, atunci acesta trebuie înlocuit cu unul nou de către un centru de reparații autorizat.
- Trebuie să fie posibilă deconectarea dispozitivului de la rețeaua de alimentare cu curent electric, prin deconectarea ștecherului sau oprirea întrerupătorului bipolar
- Aparatul acesta nu poate fi folosit de către persoane (inclusiv copii) cu capacități fizice, senzoriale sau psihice limitate, ori de către persoane care nu au experiență sau nu cunosc aparatul, cu excepția cazului în care acest lucru are loc sub supravegherea sau conform instrucțiunii de utilizare a aparatului, indicate de către persoanele responsabile de siguranța acestora.
- Trebuie să fiți foarte atenți ca acest dispozitiv să nu fie folosit de copii lăsați fără supraveghere.
- Verificați dacă tensiunea care este trecută pe eticheta de fabricație corespunde parametrilor de alimentare de la locul unde va fi aceasta folosită.
- Înainte de montaj trebuie să desfaceți și să întindeți cablul de alimentare cu curent electric.
- Materialele ambalajului (sacii din polietilena, bucățile de polistiren etc.) nu trebuie lăsate la îndemâna copiilor pe durata despachetării.
- Înainte de a conecta hota la sursa de alimentare trebuie de fiecare dată să verificați dacă cablul de alimentare este în mod corect instalat și NU a fost strivit de către hotă în timpul operațiilor de

montare. Nu conectați dispozitivul la rețeaua de alimentare cu curent electric înainte de sfârșitul montajului.

- Este interzisă folosirea hotei fără filtrele de aluminiu instalate împotriva depunerii grăsimilor.
- Este strict interzisă pregătirea sub hotă a mâncărilor care necesită folosirea flăcării deschise (flambare).
- În măsura în care este necesară punerea în aplicare a cerințelor tehnice și de siguranță în ceea ce privește gazele de evacuare trebuie să fie respectate cu strictețe reglementările emise de către autoritățile locale competente.
- Neînșurubarea șuruburilor sau a elementelor de fixare în conformitate cu prezentele instrucțiuni poate conduce la apariția pericolelor pentru viață și sănătate.
- Hotele suspendate funcționează numai în varianta filtrare- recirculare.
- **ATENȚIE!** Neinstalarea șuruburilor sau a dispozitivului de fixare în conformitate cu aceste instrucțiuni poate duce la pericolelor de natură electrică.
- Acest dispozitiv poate fi utilizat de copii care au vârsta de peste 8 ani și mai mari, de către persoane cu capacități fizice, senzoriale și mentale limitate și de către persoane fără experiență și care nu cunosc dispozitivul, atunci când acestea sunt supravegheate sau au fost instruite cu privire la utilizarea dispozitivului în siguranță care le sunt transmise de către persoanele care sunt răspunzătoare de siguranța lor. Nu lăsați copii să se joace cu dispozitivul. Curățarea și conservarea dispozitivului nu trebuie realizată de către copii cu excepția cazului în care aceștia au peste 8 ani și sunt supravegheate de către o persoană competentă.

DESPACHETARE



Dispozitivul este protejat împotriva deteriorării pe toată perioada transportului. Vă rugăm ca după ce despachetați aparatul să disponibilizați elementele ambalajului astfel încât acest lucru să nu dăuneze mediului înconjurător.

Toate materialele folosite pentru ambalaj nu dăunează mediului sunt 100% reciclabile și au fost marcate cu simbolul corespunzător.

Atenție! Materialele ambalajului (sacii din polietilenă, bucățile de polistiren etc.) nu trebuie lăsate la îndemână copiilor pe durata despachetării.

ÎNDEPĂRTAREA

DISPOZITIVELOR UZATE



Acest aparat este marcat conform Directivei Europene 2012/19/CE. Acest marcaj informează că echipamentul acesta după perioada în care a fost utilizat nu poate fi aruncat împreună cu gunoii menajer.

Beneficiarul are obligația de a preda dispozitivul uzat celor care se ocupă cu reciclarea echipamentelor electrice și electronice.

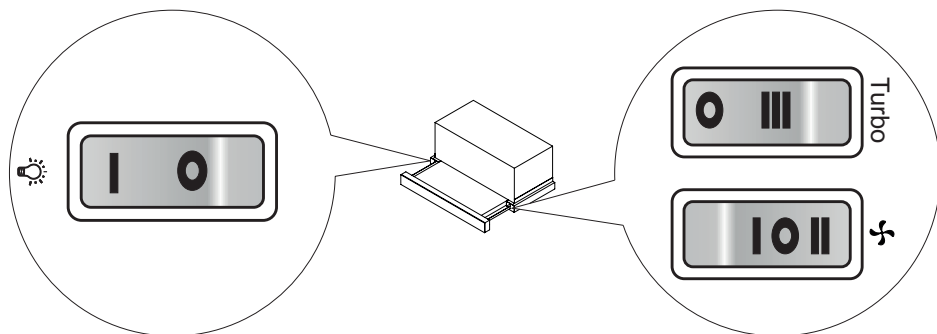
Instituțiile care le primesc, inclusiv punctele de ridicare, magazinele și autoritățile locale vor organiza un sistem corespunzător de predare a acestor echipamente.

Procedarea corespunzătoare cu echipamentele electrice și electronice asigură eliminarea consecințelor dăunătoare pentru sănătatea oamenilor și a mediului înconjurător, care reies din prezența unor substanțe periculoase și din depozitarea și prelucrarea necorespunzătoare a acestui tip de echipament.

OPERARE

Panoul de control

Panoul de control al hotei este prezentat în Fig. 4, ca referință, dar este arătat de asemenea mai jos:




Panoul de control este echipat în butoane basculante. Sunt vizibile după scoaterea frontului telescopic.

Hota telescopică este echipată de un întrerupător de capăt de cursa de fiecare dată când veți scoate frontul telescopic, hota va începe să funcționeze cu viteza setată anterior.

Setarea vitezelor posibile (cu frontul scos)

- I- Viteza mică. Utilizați această viteză la o cantitate nu prea mare de vapori.
- II- Viteza medie. Utilizați această viteză la o cantitate medie de vapori, de exemplu atunci când gătiți mai multe feluri de mâncare în același timp.
- III- Viteza mare. Utilizați această viteză la o cantitate foarte mare de vapori, de exemplu la prăjire sau la grill.
- Hota oprită (scoaterea panoului nu va porni motorul hotei).

Butonul marcat ca  este folosit doar pentru pornirea sau oprirea iluminatului. Iluminarea hotei funcționează independent de motorul hotei.

În funcție de model întrerupătorul de capăt de cursă va stinge lumina când panoul frontal va fi împins în poziția inițială, de repaus.

Alte informatii importante pentru operarea hotei

Variante de utilizare

Utilizare in varianta filtrare-recirculare

La functionarea in aceasta varianta aerul incarcat cu fum si vapori este aspirat si returnat apoi filtrat in incapere prin orificiile proiectate in acest scop. Pentru aceasta varianta este obligatorie montarea unui filtru carbon conform Fig 6., iar la unele modele de hota –de exemplu la cele tip horn- un deflector, daca acesta se regaseste in echiparea hotei. Filtrele carbon se achizitioneaza contra cost de la Centrele de reparatii autorizate.

Utilizare in varianta evacuare in exterior

In aceasta varianta aerul este evacuat catre exterior printr-un orificiu de evacuare aflat in partea superioara a hotei; nu se va monta filtrul carbon. La orificiul de evacuare al hotei se va conecta o conducta rigida ori flexibila (preferabil) cu diametrul de 150 mm sau 120 mm cu capatul in exteriorul cladirii, cu ajutorul unor accesorii (dispozitive de prindere, jaluza exteriora etc) care trebuie achizitionate de la magazinele de instalatii. Montajul trebuie realizat de catre o persoana calificata.

Viteza ventilatorului

Vitezele mica si medie sunt folosite in cazul conditiilor normale, atunci cand exista o cantitate mica de fum si vapori; viteza maxima trebuie folosita in cazul unei cantitati mai mari de fum si vapori, de exemplu in timpul prajirii sau pregatirii gratarului.

Atentie: la hotele universale este necesara setarea manuala a variantei de utilizare, filtrare ori evacuare) prin actionarea unui levier; a se vedea Fig 8, acolo unde exista.

Atentie: la hotele incorporabile in mobilier si cele telescopice utilizate in varianta filtranta trebuie montata o conducta de evacuare a aerului, dar al carui capat se va directiona tot in incapere, prin care se va returna aerul filtrat.

Atentie: hotele suspendate functioneaza numai in varianta filtranta.

CURĂȚAREA ȘI ÎNTREȚINEREA

Întreținere

Întreținerea și curățarea regulată a dispozitivului vor asigura o funcționare bună și fără avarii a hotei și va prelungi durata de funcționare a acesteia. Trebuie să acordați o deosebită atenție ca filtrele împotriva grăsimilor și filtrul cu carbon activ să fie curățate respectiv schimbate în conformitate cu recomandările producătorului.

- Nu folosiți cârpe și bureți imbibati cu apa și nici jetul de apă.
- Nu folosiți solvenți și nici alcool, deoarece acestea pot deteriora suprafețele lăcuite.
- Nu folosiți substanțe corozive, în special pentru curățarea suprafețelor din oțel inoxidabil.
- Nu utilizați o cârpă tare, aspră
- Se recomandă folosirea unei cârpe umede și a unui detergent neutru.

Atenție: După ce filtrul de aluminiu va fi spălat de câteva ori în mașina de spălat vase culoarea acestuia se poate schimba. Culoarea schimbată nu înseamnă că, filtrul este deteriorat și nici nu trebuie schimbat.

Filtrul împotriva grăsimilor

Filtrul împotriva grăsimilor trebuie să fie curățat o dată pe lună atunci când hota funcționează normal, în mașina de spălat vase sau manual folosind un detergent delicat sau săpun lichid.

Demontarea filtrului împotriva grăsimilor este prezentată în Fig. 5.

În unele modele este folosit filtrul acrilic. Trebuie înlocuit cel puțin o dată la 2 luni sau mai des în cazul în care hota este folosită foarte intens.

Filtrul de carbon

Filtrul activ este folosit numai atunci când hota nu este conectată la conducta de evacuare în exterior. Filtrul cu carbon activ posedă capacitatea de absorbție a mirosurilor până în momentul de saturare totală. Nu poate fi spălat și nici regenerat și trebuie să fie înlocuit cel puțin o dată la 3-4 luni, sau mai des în cazul în care este folosit mai intens.

Demontajul filtrului carbon este prezentat în Fig. 6.

Sistem de iluminare

Trebuie folosite becuri / halogene / module cu diode cu aceiași parametrii ca cei montați din fabricație pe dispozitiv. Înlocuirea sistemului de iluminare este prezentată pe figura 7. În cazul în care figura nu apare în acest manual, înlocuirea modulului de iluminare poate fi efectuată numai de către un centru de reparatii autorizat.

GARANȚIE, SERVICII POSTVÂNZARE

Garanția

Activitățile cuprinse de garanție în conformitate cu fișa de garanție. Producătorul nu este răspunzător de eventualele prejudicii cauzate de utilizarea incorectă a produsului.

Service

- Producătorul echipamentului sugerează, ca toate reparațiile și reglaje generale să fie efectuate de către Service al producătorului sau Service autorizat al producătorului. Pentru siguranța, nu reparați singuri dispozitivul.
- Reparațiile efectuate de persoane care nu au calificările cerute pot aduce la un pericol grav pentru utilizatorul dispozitivului.
- Perioada minimă de garanție pentru dispozitivul oferit de producător, importator sau reprezentant autorizat, este indicată în cardul de garanție.
- Dispozitivul își pierde garanția ca urmare a unor adaptări neautorizate, modificări, alterarea sigiliilor sau a altor echipamente de securitate, precum și alte interferențe neautorizate în echipament care nu sunt în conformitate cu instrucțiunile de exploatare.

Solicitarea reparației și asistență în caz de defecțiune


Dacă dispozitivul necesită reparații, contactați centrul de service. Adresa serviciului și numărul de telefon de contact se află în cardul de garanție. Înainte de a contacta, trebuie să pregătiți numărul de serie al dispozitivului, care se află pe plăcuța de identificare. Pentru comoditate, scrieți-l mai jos:

--	--	--	--	--	--	--	--	--	--	--	--	--	--	--

Declarația producătorului

Prin prezenta, producătorul declară că, acest produs îndeplinește cerințele de bază ale directivelor europene menționate în continuare:

- **directiva cu privire la joasa tensiune 2014/35/CE**
- **directiva cu privire la compatibilitatea electromagnetică 2014/30/CE**
- **directiva 2009/125/EC**
- **directiva cu privire RoHS 2011/65/EC**

și de aceea produsul a fost marcat cu simbolul  și a fost emisă declarație de conformitate care este pusă la dispoziția organelor de supraveghere a pieței.

Tisztelt Ügyfelünk

A mai naptól kezdve az Ön mindennapi teendői egyszerűbbek lettek mint valaha. A készülék **Amica** a könnyű használat és kiváló hatékonyság rendkívüli kombinációja A használati utasítás elolvasását követően Önnek nem okoz gondot a kezelése.

A készülék, mely elhagyta a gyárat, gondosan ellenőrizve lett a csomagolás előtt a biztonságot és funkcionalitást illetően.

Kérjük Önöket, hogy a készülék üzembe helyezése előtt figyelmesen olvassák el a használati utasítást. A használati utasításban foglaltak betartása segít megelőzni a helytelen üzemeltetést. A használati utasítást meg kell tartani és el kell rakni úgy, hogy szükség esetén kéz alatt legyen.

A balesetek elkerülése érdekében gondosan követni kell a használati utasításban foglaltakat.

Tisztelettel,

Amica

BIZTONSÁGI UTASÍTÁSOK

- A páraelszívót csak a jelen használati utasítás elolvasását követően lehet használni.
- A készüléket csakis háztartásbeli használatra tervezték.
- A gyártó fenntartja magának a jogot olyan újítások bevezetésére, melyek nem lesznek hatással a készülék használatára.
- A gyártó nem vállal felelősséget a készülék által okozott károkért illetve tüzesetekért, melyeket a jelen használati utasításban foglaltak be nem tartása okozott.
- A tűzhely feletti páraelszívó a konyhai gőzök elszívására használatos. Nem szabad más célra használni.
- Az elszívó üzemmódban dolgozó páraelszívót a megfelelő szellőző csatornához kell csatlakoztatni (nem szabad kéményhez, füstelvezető vagy égéstermék elvezető csatornához csatlakoztatni, amelyek használatban vannak). A páraelszívóhoz csatlakoztatni kell tömlőt, mely elvezeti a levegőt kívülre. A tömlő hossza (általában 120 mm illetve 150 mm Ø cső) nem haladhatja meg a 4-5 m-t. A légelvezető tömlő szintén szükséges a teleszkópos és a bútorba beépített, keringtető üzemmódban üzemelő páraelszívónál.
- A keringtető üzemmódban üzemelő páraelszívóknál aktív széntartalmú szűrő felszerelése szükséges. Ebben az esetben nincs szükség levegő elvezető cső felszerelésére, viszont ajánlott a levegő kivezető kémény felszerelése (csak a kéményes páraelszívóknál).
- A páraelszívó független világítással és elszívó ventilátorral rendelkezik, mely különböző sebességfokozatokra állítható.

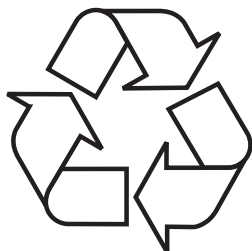
- A készülék verziójától függően, a páraelszívót egy függőleges falra kell szerelni a gáz- illetve elektromos tűzhely fölé (kéményes és univerzális páraelszívók); a gáz- illetve elektromos tűzhely fölött lévő mennyezetre (sziget páraelszívók); egy függőleges falra a gáz- illetve elektromos tűzhely fölött, beépítve egy konyhabútorba (tesztkópos és bútorokba beépített páraelszívók). Mielőtt elkezdené a felszerelést, győződjön meg arról, hogy a fal / mennyezet szerkezete elbírja a páraelszívó súlyát. A páraelszívó néhány modellje igen nehéz.
- Az elektromos tűzhely fölötti telepítési magasság a készülék termék adatlapján található (a készülék műszaki specifikációja). Ha a gáztűzhely használati utasításában nagyobb távolságok lettek előírva, akkor ezeket kell figyelembe venni (1 rajz)
- A páraelszívó alatt tilos a nyílt láng használata. Amikor levesszük az edényt a tűzhelyről, állítsuk a lángot minimumra. Mindig ellenőrizzük, hogy a lángok nem csapnak-e a ki az edény alól, mivel ez energiavesztést és veszélyes hő koncentrációt okozhat.
- Ha olajat használunk a sütéshez a páraelszívó alatt, az üzemeltetés teljes időtartama alatt tartsa szemmel az ételt, ugyanis a túlmelegedett olaj tüzet okozhat.
- Mielőtt kicserélnénk a zsírszűrő betéteket illetve minden javítás, karbantartás előtt áramtalanítsuk a készüléket kihúzva a dugót a konnektorból.
- A zsírszűrő betéteket legalább havonta meg kell tisztítani. A zsírral szennyezett zsírszűrő betétek könnyen lángra lobbanhatnak.
- Ha a helyiségben, ahol a páraelszívó üzemel, más nem elektromos készüléket is használunk (mint pl. a olajkemence, átfolyós vízmelegítő, bojler) biztosítani kell a jó szellőzést (levegőátfolyás). A biztonságos használat akkor lehetséges, ha a páraelszívó és a többi készülék egyszerre való

használatánál, ott, ahol a készülékek el vannak helyezve, a légnyomás nem haladja meg 0,004 milibart (ez a pont érvényét veszti amikor a keringtető üzemmódban használjuk a páraelszívót)

- Nem szabad a páraelszívóra támaszkodni.
- A páraelszívót gyakran meg kell tisztítani, mind kívülről, mind pedig belülről (LEGALÁBB HAVONTA EGYSZER, a jelen használati utasításban foglalt karbantartási útmutatók betartásával). A páraelszívó tisztítására és a szűrők cseréjére irányuló utasítások be nem tartása tűzveszélyt okozhat.
- Ha a csatlakozó kábel megsérül, ki kell cserélni egy erre hivatott szakszervizben.
- Biztosítani kell a készülék kikapcsolhatóságát az áramforrásból, a csatlakozó dugó kihúzása illetve a kétpólusú megszakító gomb megnyomása által.
- Ezt a készüléket nem használhatják olyan személyek (többek között gyerekek) akik csökkent fizikai, érzékszervi vagy értelmi képességűek, vagy hiányzik a megfelelő tapasztalatuk vagy a tudásuk, hacsak nem felügyeli őket egy a biztonságukért felelős személy, aki a használati utasítás alapján útmutatókkal látja el őket.
- Különösen arra kell ügyelni, hogy a felügyelet nélkül maradt gyerekek ne játszhassanak a készülékkel.
- Győződjünk meg arról, hogy a készülék belsejében található típuscímkén feltüntetett hálózati feszültség és csatlakozó értékek megegyeznek-e a lakásban található értékekkel.
- A szerelési munkálatok megkezdése előtt tekerjük ki és egyenesítsük ki a csatlakozókábelt.
- A csomagolóanyagokat (polietilén zacskók, polisztírol stb.) a kicsomagolás közben tartsuk távol a gyerekektől.
- Mielőtt a készüléket a hálózatra csatlakoztatná, mindig ellenőrizze, hogy a tápkábel megfelelően van-e telepítve, és hogy NEM szorult-e be a páraelszívó alá az összeszerelési műveleteket során. Ne csatlakoztassa a készüléket az elektromos hálózatra a telepítés befejezése előtt.

- Tilos a páraelszívó használata ha nincs rá felszerelve az alumínium zsírszűrő.
- Szigorúan tilos a páraelszívó alatt a nyílt láng használata (flambrózás).
- Az égéstermék elvezetésével kapcsolatos biztonsági és műszaki követelmények alkalmazásánál szigorúan be kell tartani az illetékes helyi hatóságok rendelkezéseit.
- A csavarok illetve egyéb rögzítő elemek nem megfelelő – vagyis a jelen használati utasítással nem egyező - meghúzása és telepítése veszélyt jelenthet az emberi egészségre és életre.
- A jelölő páraelszívók csakis keringtető üzemmódban üzemelnek.
- FIGYELEM! A csavarok és rögzítő elemeknek nem az útmutató szerinti felhelyezése áramütés-veszélyt okozhat.
- Ezt a készüléket a nyolc éves korú illetve annál idősebb gyerekek, csökkent fizikai, érzékelési vagy szellemi képességekkel rendelkező személyek, olyan személyek, akiknek a szükséges tapasztalatuk, tudásuk hiányzik, csak akkor használhatják, ha egy, az ő biztonságukért felelős személy felvilágosította őket a készülék biztonságos használatáról illetve felügyeli őket a készülék használata során, s ők tisztában vannak az esetleges veszélytípusokkal. Gyerekek nem játszhatnak a készülékkel. A készülék karbantartását és tisztítását nem végezhetik el gyerekek, kivéve, ha betöltötték nyolcadik életévüket, s felnőtt felügyeli őket.

KICSOMAGOLÁS



A készülék a szállítás idejére megfelelő módon be lett csomagolva a biztonság érdekében. Miután kicsomagoltuk a készüléket, a csomagolást környezetkímélő módon kell eltakarítani.

Az összes csomagolóanyag a környezet számára ártalmatlan, 100% újrahasználatos és megfelelő jelekkel van

ellátva.

Figyelem! A csomagolóanyagokat (polietilén zacskók, polisztirol stb.) a kicsomagolás közben tartsuk távol a gyerekektől.

A HASZNÁLT KÉSZÜLÉKEK ELTÁVOLÍTÁSA



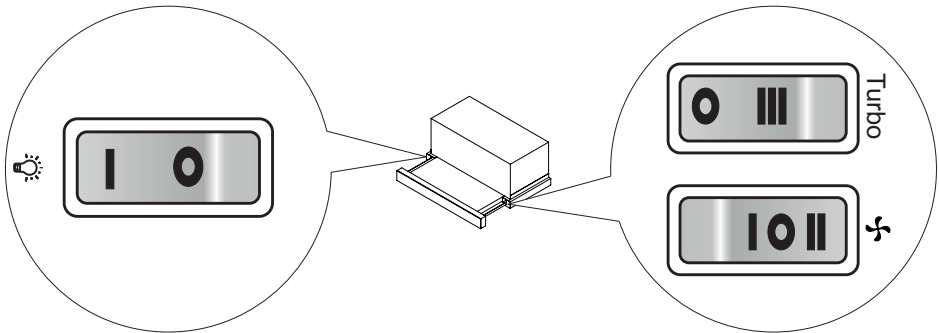
Ez a készülék el lett látva az 2012/19/EU direktívával. Ez a jelzés arról tájékoztat, hogy a készülék, miután használata befejeződött, nem kerülhet a szemétkosárba az összes többi házi hulladékkal együtt.

A felhasználó köteles az elhasznált készüléket egy elektronikus és elektromos hulladékgyűjtő pontban leadni. A hulladékgyűjtő pontok, többek között a lokális pontok, a boltok, az önkormányzati szervezetek egy rendszert alkotnak, mely lehetővé teszi a hulladék leadását. Az elektronikus és elektromos hulladékkal való megfelelő bánásmód segít megelőzni az emberi egészségre és környezetre káros mellékhatásokat, melyeket a hulladékkal való nem megfelelő bánásmód és a hulladékban található veszélyes anyagok okozhatnak.

HASZNÁLAT

Páraelszívó vezérlése

A páraelszívó irányítópanelje a 4 rajzon látható, de emlékeztetőül alább is bemutatjuk:



Az irányítópanel gombokkal rendelkezik (bölcső). Ezek a teleszkópos előlap kihúzását követően láthatók.

A teleszkópos páraelszívó végkapcsolóval van felszerelve. Minden alkalommal, amikor kihúzza a teleszkópos előlapot, a páraelszívó az előre beállított sebességfokozatban kezd el működni.

A beállítható sebességfokozatok (kihúzott előlapnál):

- I- Legalacsonyabb sebességfokozat. Ezt a sebességfokozatot kismennyiségű gőznél használja.
- II- Közepes sebességfokozat. Ezt a sebességfokozatot közepes mennyiségű gőznél használja, pl. amikor több ételt főz egyszerre.
- III- Legmagasabb sebességfokozat. Ezt a sebességfokozatot nagymennyiségű gőznél használja, pl. sütés, illetve grillezés során.
- Kikapcsolt páraelszívó (a panel kihúzása nem eredményezi a páraelszívó motorjának bekapcsolását).

A  jelzésű gomb a világítás be- illetve kikapcsolására szolgál. A páraelszívó világítása a motortól függetlenül működik.

Modelltől függően a végálláskapcsoló kikapcsolja a világítást amikor Ön becsúztatja az előlapot.

A páraelszívó működésével kapcsolatos egyéb fontos információk

Keringtető üzemmódban való működés: Ebben az üzemmódban a szűrt levegő az erre a célra kialakított nyílásokon keresztül visszatér a helyiségbe. Ebben a beállításban egy szenszűrőt kell felszerelni, és javasoljuk a légfűvő felszerelését (a rendelkezésre állás függ a modelltől, főként kéményes páraelszívóknál kapható).

Elszívó üzemmódban való működés: Az elszívó üzemmódban történő használatnál a levegő a kültérbe van elvezetve egy speciális cső segítségével. Ennél az üzemmódnál el kell távolítani a szenszűrőt. A páraelszívó a levegő elvezető nyíláshoz egy speciális, merev vagy flexibilis 150 mm, illetve 120 mm átmérőjű cső és megfelelő rögzítő elemek segítségével van csatlakoztatva, melyeket az efféle áruk forgalmazásával foglalkozó üzletekben lehet megvásárolni. A telepítést szakképzett szakemberre kell bízni.

A ventilátor sebessége: A legalacsonyabb és a középső sebességfokozatot normális körülmények között és kisméretű gőz kibocsátásnál kell használni, míg a legnagyobb sebességfokozatot a gőzök nagy koncentrációjánál kell használni, mint pl. sütés közben, illetve grillezésnél.

Figyelem (csakis az univerzális páraelszívókra vonatkozik): Az univerzális páraelszívók szerkezete manuális üzemmód átállítást igényel. Az üzemmód megváltoztatásának módját a 8. ábra szemlélteti.

Figyelem (csak a beépíthető és teleszkópos páraelszívókra vonatkozik): A bútorba beépített és a teleszkópos páraelszívóknál keringtető üzemmódban levegő elvezető cső felszerelése szükséges. A cső másik végét a helyiségre kell irányítani, ezen keresztül áramlik majd a megszárt levegő.

Figyelem: A felfüggesztett páraelszívók csakis elszívó üzemmódban üzemelnek.

TISZTÍTÁS ÉS KARBANTARTÁS

Karbantartás

A rendszeres karbantartás és tisztítás megfelelő és hibamentes működést, valamint hosszabb élettartamot biztosít a páraelszívónak. Különös figyelmet kell fordítani arra, hogy a zsírszűrő és az aktív szénoszűrő a gyártó utasításainak megfelelően legyen tisztítva és kerüljön kicserélésre.

- Ne használjon nedves rongyot, illetve szivacsot vagy pedig folyóvizet.
- Ne használjon oldószert, illetve alkoholt, ugyanis ezek károsíthatják a festett felületeket.
- Ne használjon maró hatású anyagokat, különösen a rozsdamentes felületek tisztítására.
- Ne használjon kemény, durva rongyot
- Tisztításnál nem invazív hatású szereket és enyhén vizes törlőkendőt ajánlatos használni.

Figyelem: Többszöri, a mosogatógépben történő tisztítást követően az alumínium szűrő színe megváltozhat. A színváltozás nem jelent meghibásodást illetve nincs szükség a szűrő kicserélésére.

Zsírszűrő

A zsírszűrőt a páraelszívó normális módon történő használatánál havonta kell tisztítani, mosogatógépben illetve kézi mosogatás által, enyhe hatású mosogatószer illetve folyékony szappan segítségével.

A zsírszűrő leszerelésének módja az 5. rajzon látható.

Néhány modellnél akril szűrő van alapfelszereltségen. Ezt legalább kéthavonta egyszer kell cserélni, illetve gyakrabban, ha a páraelszívót intenzíven használja.

Szénoszűrő

A szénoszűrőket csak akkor használjuk, amikor a páraelszívót nem csatlakoztattuk a szellőző rendszerhez. Az aktív szén tartalmazó szűrő magába szívja a főzés közben keletkező szagokat, egészen amíg meg nem telik. Nem lehet a szűrőt megtisztítani illetve újrahasználni, ezért legalább 3-4 havonta kéthavonta ki kell cserélni, ha intenzíven használjuk a páraelszívót, akkor gyakrabban.

A szénoszűrő kicserélésének módját a 6. rajz mutatja.

Világítás

Csak olyan paraméterű izzókat / halogén lámpákat / diódos modulokat szabad használni, mint amilyenek a gyárilag felszereltek voltak. A világítás kicserélésének módját a 7. rajz mutatja. Ha a használati utasításban nem található az ezt bemutató rajz, akkor a világító modul cseréjét csak a szakszervizben lehet elvégezni.

GARANCIA ÉS VÁSÁRLÁS UTÁNI SZERVIZ

Garancia

Garanciális szolgáltatás a garanciajegy alapján A gyártó nem felelős a készülék helytelen használat okozta károkért.

Szerviz

- A készülék gyártója azt javasolja, hogy az összes javítási, illetve karbantartási tevékenységet a Gyári Szakszerviz illetve a Gyártó Márkaszervize végezze el. Biztonsági okokból Ön saját maga ne javítsa a készüléket.
- A nem megfelelő képesítéssel rendelkező személyek által végzett javítások súlyos veszélyt jelenthetnek az eszköz felhasználója számára.
- A gyártó, az importőr vagy a meghatalmazott forgalmazó által felkínált eszköz minimális jótállási idejét a garanciajegy tartalmazza.
- A készülék elveszíti a jótállást a készülék vagy annak részein végzett illetéktelen átalakítások, javítások, a plómbak felszakítása, valamint a készüléken történő bármely másfajta, a használati utasításnak nem megfelelő tetszőleges beavatkozás eredményeként.

Javítási igény és segítségnyújtás hiba esetén

Ha az eszköz javítását igényli, vegye fel a kapcsolatot a szervizközponttal. A szerviz címe és telefonszáma a jótállási kártyán található. Mielőtt kapcsolatba lépne, készítse elő a készülék sorozatszámát, mely az adattáblán található: A kényelem érdekében írja ide le:

--	--	--	--	--	--	--	--	--	--	--	--	--	--	--	--	--	--	--	--	--

A gyártó nyilatkozata

A gyártó ezennel kijelenti, hogy a termék megfelel a következő EU direktíváknak:

- **2014/35/EC Alacsony feszültségű direktíva**
- **2014/30/EC Elektromágneses kompatibilitás direktíva**
- **2009/125/EC**
- **RoHS 2011/65/EC**

A berendezés **CE** jelzéssel van ellátva, és megfelelőségi nyilatkozattal rendelkezik az illetékes piacfelügyeleti hatóság általi ellenőrzésre.

Уважаеми потребителю,

От днес ежедневните задължения ще бъдат по-лесни от всякога. Уредът **Amica** съчетава изключително лесно обслужване и отлична ефективност. След като прочетете инструкцията, обслужването му няма да бъде трудно.

Още в завода, преди да бъде опакован, уредът е старателно тестван за безопасност и функционалност в контролните стендове.

Моля, прочетете внимателно тази инструкция, преди да включите уреда. Спазването на посочените в нея препоръки ще Ви предпази от неправилно използване на уреда. Запазете тази инструкция и я съхранявайте така, че винаги да имате достъп до нея.

Спазвайте стриктно правилата на инструкцията за употреба, за да избегнете нещастни случаи.

С уважение

Amica

ПРЕПОРЪКИ ОТНОСНО БЕЗОПАСНОСТТА

- Преди да използвате аспиратора, трябва да се запознаете с настоящата инструкция
- Уредът е предназначен за използване само в домакинството.
- Производителят запазва правото си да въвежда промени нямащи влияние на действието на уреда.
- Производителят не носи никаква отговорност за евентуални щети или пожари, причинени от уреда, възникнали в резултат на неспазване на указанията от настоящата инструкция.
- Кухненският аспиратор е предназначен за отвеждане на парата от помещението. Не бива да се използва за други цели.
- Аспиратор, работещ в режим на отвеждане на парата, трябва да бъде присъединен към съответен вентилационен канал (не бива да се присъединява към комини и канали за отвеждане на дим или изгорели газове, които се използват). За правилната работа на аспиратора е необходим монтаж на канал, отвеждащ въздуха навън. Дължината на канала (обикновено тръба Ø 120 mm или 150 mm) не трябва да бъде по-голяма от 4-5 метра. При телескопичните и мебелните аспиратори, работещи в режим абсорбатор, също се изисква канал за отвеждане на въздуха.
- За правилната работа на аспиратор, работещ в режим абсорбиране, е необходимо инсталирането на филтър с активен въглен. В този случай не е необходимо инсталирането на отвеждащ въздуха навън канал, но се препоръчва монтаж на направляваща клапа на въздушния поток (само за коминни аспиратори).
- Аспираторът е оборудван с независимо осветление и смукателен вентилатор с възможност за настройка на една от няколко достъпни скорости на работа.

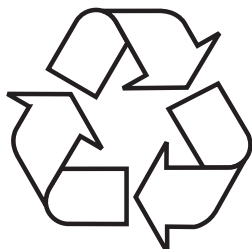
- В зависимост от версията на уреда аспираторът е предназначен за стационарен монтаж върху вертикална стена над газова или електрическа печка (коминни и универсални аспиратори); върху тавана над газова или електрическа печка (аспиратори за кухненски остров); върху вертикална стена с вграждане в кухненски шкаф над газова или електрическа печка (телескопични аспиратори и аспиратори за вграждане). Преди монтажа трябва да се уверите, дали конструкцията на стената / тавана е подходяща да издържи теглото на аспиратора. Някои от моделите аспиратори са много тежки.
- Височината на монтаж на уреда над електрически кухненски плот е посочена в картата на продукта (техническа спецификация на уреда). Ако в инструкциите за инсталиране на газовите устройства е посочено по-голямо разстояние, това условие трябва да се спази (Фиг. 1).
- Под кухненския аспиратор не бива да се оставя открит пламък. По време на снемане на съдовете от газовата горелка пламъкът трябва да е настроен на минимум. Винаги трябва да се провери, дали пламъкът не излиза извън дъното на съда, тъй като това причинява сериозни загуби на енергия и опасно кумулиране на топлина.
- Ястията, приготвяни върху мазнини трябва да бъдат под непрекъснат надзор, тъй като нагорещената мазнина може лесно да се запали.
- Преди всяко почистване, смяна на филтъра или провеждане на ремонтни дейности трябва да изключите щепсела на уреда от контакта.
- Филтърът срещу мазнини на кухненския аспиратор трябва да се почиства най-малко веднъж месечно, тъй като напоен с мазнина е леснозапалим.
- Ако в помещението, освен аспиратора, се използват други уреди, които не се хранят от електричество (например печки за течни горива, радиатори, водни нагреватели), трябва да осигурите съответна вентилация на помещението (приток на въздух). Безопасната екс-

плоатация е възможна, ако при едновременната работа на аспиратора и изгарящите уреди, зависими от въздуха в помещението, в мястото на инсталирането на тези уреди стойността на подналягането не надвишава 0,004 милибара (това условие не важи, когато кухненският аспиратор се използва като абсорбатор на мизирми).

- Аспираторът не бива да се използва като подпорна повърхност от лицата, намиращи се в кухнята.
- Аспираторът трябва да се почиства често както отвън, така и отвътре (ПОНЕ ВЕДНЪЖ МЕСЕЧНО със спазване на указанията, посочени в настоящата инструкция). Неспазването на правилата за почистване на аспиратора и подмяна на филтрите може да доведе до опасност от пожар.
- В случай на увреждане на хранящия кабел трябва да го подмените в специализиран сервиз.
- Трябва да бъде осигурена възможност за изключване на уреда от хранящата мрежа чрез изваждане на щепсела или изключване на двуполусния прекъсвач.
- Това оборудване не е предназначено за използване от лица (включително деца) с намалени физически, сетивни или умствени способности или лица без опит или познания, освен ако те са под наблюдение или са инструктирани относно използването на оборудването от лицата, отговорни за тяхната безопасност.
- Трябва да обърнете особено внимание, уредът да не се ползва от деца без надзор.
- Проверете, дали посоченото върху информационната табела на уреда напрежение е в съответствие с параметрите на местната храняща мрежа.
- Преди монтажа развийте и изправете хранящия кабел.
- По време на разопаковане опаковъчните материали (торби от полиетилен, стиропор и т.н.) трябва да се държат далеч от деца.

- Преди включване на аспиратора към хранващата мрежа винаги трябва да проверите, дали хранващият кабел е инсталиран правилно и НЕ е смачкан от аспиратора по време на монтажните дейности. Не включвайте уреда към електрическата мрежа преди завършване на монтажа.
- Ползването на аспиратора без монтирани алуминиеви филтри срещу мазнини е забранено.
- Строго е забранено приготвянето на ястия под аспиратора с използване на открит пламък (фламбиране).
- Следва стриктно да се спазват издадените от местните власти разпоредби, отнасящи се за необходимите за прилагане технически средства и средства за безопасност в областта на отвеждането на изгорели газове.
- Недостатъчното затягане на винтовете и закрепващите елементи в съответствие с настоящата инструкция може да доведе до опасност за здравето и живота.
- Всящите аспиратори работят само в режим за абсорбиране на миризми
- **ВНИМАНИЕ!** Неинсталирането на болтовете и механизмите за фиксиране в съответствие с настоящите инструкции може да доведе до рискове от електрическо естество.
- Това устройство може да се използва от деца на възраст от 8 години и по-големи, от лица с ограничени физически, сетивни или умствени способности или с липса на опит и познания, ако те са под надзор или са били инструктирани, как да използват уреда по безопасен начин и познават опасностите, свързани с използването на уреда. Децата не бива да си играят с уреда. Почистването и поддръжката на уреда не бива да се извършва от деца освен, ако са навършили 8 години и са под надзор на съответно лице.

РАЗОПАКОВАНЕ



Устройството е защитено от повреди по време на транспорт. След разопаковане на устройството, моля, не забравяйте да премахнете опаковъчните материали по екологично съобразен начин.

Всички материали, използвани за опаковане, са безопасни за околната среда, 100% рециклируеми и затова са отбелязани със съответния символ.

Внимание! По време на разопаковане опаковъчните материали (торби от полиетилен, стиропор и т.н.) трябва да се държат далеч от деца.

ОБЕЗВРЕЖДАНЕ НА ИЗНОСЕНИ УРЕДИ



Това устройство е маркирано в съответствие с Европейската директива 2012/19/ЕС. Тази маркировка показва, че това оборудване, след определен период на ползване, не може да се изхвърля заедно с другите битови отпадъци.

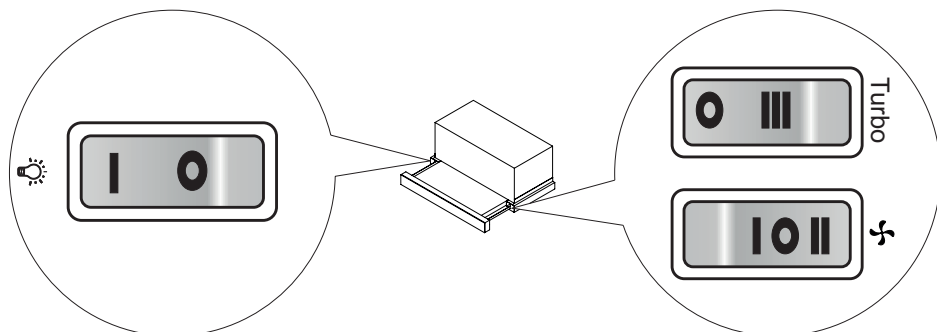
Потребителят е длъжен да го предаде там, където се събират отпадъци от електрическо и електронно оборудване. Събирателните пунктове, в това число местни пунктове за събиране, магазини или общински структури създават система, която позволява предаване на оборудването.

Подходящото третиране на отпадъците от електрическо и електронно оборудване помага за избягване на вредни за човешкото здраве и околната среда последици, произтичащи от наличието на опасни вещества, както и неправилно съхранение и обработка на такова оборудване.

ОБСЛУЖВАНЕ

Управление на абсорбатора


Панелът за управление на абсорбатора е представен върху фиг. 4, намира се също така и по-долу:



Панелът за управление е оборудван с бутони от тип rocker. Те се виждат след изтегляне на телескопичния фронт на абсорбатора. Телескопичният абсорбатор е оборудван с краен прекъсвач. Всеки път, когато изтеглите телескопичния фронт, абсорбаторът ще започне работа с последната зададена скорост.

Възможни скорости на работа (при изтеглен фронт):

- I- Най-ниска скорост. Тази скорост се използва при малко количество пара.
- II- Средна скорост. Тази скорост се използва при средна интензивност на парата, например по време на готвене на много ястия наведнъж.
- III- Най-висока скорост. Тази скорост е предназначена за използване при най-висока интензивност на парата - например по време на пържене или печене на грил.
- Изключен абсорбатор (изтеглянето на панела няма да включи двигателя на абсорбатора).

Бутонът, означен като  е предназначен за включване или изключване на осветлението. Осветлението в абсорбатора функционира независимо от двигателя на абсорбатора.

В зависимост от модела крайният прекъсвач изключва осветлението и когато пхнете телескопичния фронт.

Други важни информации за обслужването на абсорбатора

Работа като абсорбатор: При тази опция филтрираният въздух се връща обратно в помещението посредством предвидените за това отвори. При този режим на работа трябва да монтирате въглен филтър и се препоръчва монтиране на направляващ потока на въздуха елемент (достъпен в зависимост от модела, среща се главно в абсорбаторите от коминен тип).

Работа като аспиратор: В режим за отвеждане на въздуха аспираторът отвежда въздуха навън през специален канал. При този режим на работа трябва да отстраните евентуалния въглен филтър. Аспираторът е присъединен към отвеждащия въздуха отвор с помощта на твърда или еластична тръба с диаметър 150мм или 120мм и съответни скоби за тези тръби, които трябва да се закупят в магазините за инсталационни материали. Свързването на аспиратора към отвора трябва да бъде извършено от квалифициран инсталатор.

Скорост на вентилатора Най-ниската и средната скорост се използват при нормални условия и малка интензивност на парата. Най-високата скорост да се използва само при висока интензивност на парата в кухнята, например при пържене или печене на скара.

Забележка (отнася се само за универсалните абсорбатори): Конструкцията на универсалните абсорбатори изисква ръчна смяна на режима на работа на уреда. Начинът на смяна на режима е показан върху фигура 8.

Забележка (отнася се само за вградени в мебели и телескопични аспиратори): В случай на аспираторите за вграждане в кухненски шкаф и телескопичните аспиратори, които работят в режим абсорбатор, трябва да се инсталира тръба, отвеждаща въздуха. Вторият край на тръбата трябва да насочите към помещението, през нея ще бъде отвеждан филтрирания въздух.

Забележка: Висящите аспиратори работят само в режим абсорбатор.

ПОЧИСТВАНЕ И ПОДДРЪЖКА

Поддръжка

Редовната поддръжка и почистване на уреда ще осигурят добра и безаварийна работа на аспиратора и ще удължат неговия експлоатационен живот. Трябва да се обърне особено внимание почистването и смяната на филтъра за мазнини и въгления филтър да се изпълнява съгласно препоръките на производителя.

- Да не се използват овлажнени кърпи или гъби, нито водна струя.
- Да не се използват разтворители, нито алкохол, тъй като могат да причинят матиране на лакираните повърхности.
- Да не се използват разяждащи вещества, особено за почистване на повърхности, изработени от неръждаема стомана.
- Да не се използва твърда, драскаща кърпа
- Препоръчва се използването на влажна кърпа и неутрални миещи препарати.

Забележка: След няколкократно миене в съдомиялна машина цветът на алуминиевия филтър може да се промени. Промияната на цвета не означава несъответствие и не е необходима смяна на филтъра.

Филтър за мазнини

Филтър за мазнини трябва да се почиства ежемесечно при нормална работа на аспиратора. Да се мие в съдомиялна машина или ръчно с използване на неагресивен миещ препарат или течен сапун.

Демонтажът на филтър за мазнини е показан върху фигура 5.

В някои от моделите е използван акрилен филтър. Трябва да се сменява поне веднъж на 2 месеца или по-често в случай на изключително интензивно използване.

Въглен филтър

Въгленият филтър се използва само тогава, когато аспираторът не е присъединен към вентилационен канал. Филтърът с активен въглен има способност да поглъща миризмите, докато се насити. Не е подходящ за миене, нито за регенериране и трябва да се сменява поне веднъж на 3-4 месеца или по-често в случай на изключително интензивно използване.

Демонтажът на въгления филтър е показан върху фигура 6.

Осветление

Трябва да използвате крушки / халогенни лампи / диодни модули със същите параметри, както фабрично монтираните в уреда. Начинът на смяна на осветителните тела е показан върху фигура 7. Ако в настоящата инструкция тази фигура не е показана, това означава, че осветлението може да бъде подменено само от оторизиран сервиз.

ГАРАНЦИЯ, СЛЕД ПРОДАЖБЕНО ОБСЛУЖВАНЕ

Гаранция

Гаранционна поддръжка според гаранционната карта. Производителят не отговаря за повреди и каквито и да било щети, настъпили в резултат от неправилното използване на уреда.

Сервиз

- Производителят на оборудването препоръчва всички ремонти и дейности по настройка да се извършват от Фабричния Сервиз или от Оторизиран Сервиз на Производителя. С оглед на безопасност не бива да ремонтирате уреда самостоятелно.
- Ремонти, изпълнени от неквалифицирани лица, могат да представляват сериозна опасност за потребителя на уреда.
- Минималният срок на валидност на гаранцията на уреда, предоставена от производителя, вносителя или упълномощения представител е посочен в гаранционната карта.
- Уредът губи своята гаранция в случай на извършени самостоятелни адаптации, модификации, нарушения на пломбите или на други обезопасителни средства на съоръжението или на негови части и на други своеволно въведени промени в съоръжението, които са в несъответствие с инструкцията за обслужване.

Заявка за ремонт и помощ в случай на повреда

Ако уредът изисква ремонт, трябва да се свържете със сервиз. Адресните данни на сервиза, както и телефонният номер за контакт са посочени в гаранционната карта. Преди да се свържете със сервиза, трябва да пригответе серийния номер на уреда, посочен върху информационната табелка. За Ваше удобство можете да го запишете по-долу:

--	--	--	--	--	--	--	--	--	--	--	--	--	--	--

Декларация на производителя

Производителят декларира, че продуктът отговаря на съществените изисквания на европейските директиви, изброени по-долу:

- Директива 2014/35/ЕО за ниско напрежение
- Директива 2014/30/ЕО за електромагнетична компатибилност
- Директива 2009/125/ЕО
- Директива RoHS 2011/65/ЕО

и поради това продуктът е маркиран с **CE** и му е издадена декларация за съответствие на разположение на надзорните органи на пазара.

Estimado Cliente

A partir de hoy tus deberes serán más fáciles que nunca. El aparato de la marca **Amica** es excepcionalmente fácil de usar y perfectamente eficaz. Después de leer el manual, el uso no será ningún problema.

El equipo, antes de abandonar la fábrica y ser empaquetado, fue minuciosamente comprobado que funciona seguramente en los puestos de control de calidad.

Les rogamos lean con atención este manual de la primera puesta en marcha de este aparato. Seguir las instrucciones incluidas en el presente manual les protegerá del uso inadecuado. Guardar este manual para tenerlo siempre accesible.

Seguir estrictamente las instrucciones de uso para evitar siniestros.

Atentamente

Amica

INDICACIONES RELACIONADAS CON SEGURIDAD

- ¡Lea detenidamente este manual antes de usar el aparato!
- El aparato está destinado solamente para usar en casa.
- El fabricante se reserva el derecho a realizar cambios que no influyan en la forma de funcionamiento del aparato.
- El fabricante no se responsabiliza de eventuales daños o incendios ocasionados por el equipo que resulten de la falta de observancia de recomendaciones del presente manual.
- La campana de cocina sirve para evacuar los vahos de cocina. No se debe usarla para otros objetivos.
- La campana que funciona en modo de extractor debe estar conectada a respectivo canal de ventilación (no conectar a canales de chimenea, de humo o de gases de escape que se encuentren en uso). La campana requiere instalación de conducto de evacuación de aire hacia fuera. El largo de conducto (muchas veces es tubo de \varnothing 120 mm ó 150 mm) no debe ser más largo que 4-5 m. El conducto de evacuación de aire también es requerido en las campanas telescópicas y de muebles en modo de absorbedor.
- La campana que funciona en modo de absorbedor requiere instalación de filtro con carbón activo. En este caso no se requiere instalación de conducto de evacuación de aire hacia fuera, pero se recomienda el montaje de volante de soplado de aire (solamente campanas de chimenea).
- La campana tiene iluminación independiente y ventilador de extracción dotado de posibilidad de fijar una de las velocidades de giro.

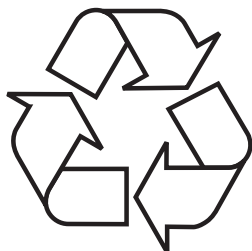
- En función de la versión de equipo la campana está destinada para fijar de manera permanente en una pared vertical por encima de la cocina de gas o eléctrica (campanas de chimenea y universales); en el techo por encima de la cocina de gas y eléctrica (campanas de isla); en la pared de los muebles que se encuentran por encima de la cocina de gas o eléctrica (campanas telescópicas y para empotrar). Antes del montaje se debe asegurar que la estructura de la pared / techo es adecuada para soportar la campana. Algunos modelos de campanas pesan mucho.
- La altura de montaje de aparato por encima de la placa eléctrica se encuentra en la tarjeta de producto (especificación técnica de aparato). Si en el manual de instalación de aparatos a gas se da una distancia mayor, se debe tenerlo en cuenta (Fig 1).
- Por debajo de la campana de cocina no se puede dejar fuego abierto a la hora de quitar los vasos del quemador, se debe dejar fuego mínimo. Siempre se debe comprobar que la llama no sale fuera del vaso ya que esto hace pérdida indeseada de energía y concentración peligrosa de calor.
- Los platos preparados en grasa debe estar vigilados permanentemente ya que la grasa puede encenderse.
- Antes de cada operación de limpieza, cambio de filtro o antes de empezar la reparación se debe sacar el enchufe de aparato de contacto.
- El filtro de grasa para la campana se debe limpiar al menos una vez al mes, ya que si saturado de grasa es peligroso.
- Si en el cuarto, además de la campana, se usan otros aparatos de alimentación no eléctrica (por ejemplo, hornos a combustibles líquidos, calentadores de flujo, escalfadores), se debe cuidar de ventilación suficiente (admisión de aire). Una explotación segura es posible con el trabajo simultáneo de campana y aparatos quemadores, de-

pendientes del aire que existe en el cuarto, en el lugar donde se encuentran estos aparatos existe hipertensión por encima de 0,004 milibar (este punto no se debe tener en cuenta cuando la campana es usada como absorbedor de olores).

- La campana no debe servir como superficie de soporte para las personas que se encuentran en la cocina.
- La campana debe limpiarse muy frecuentemente tanto fuera como pro dentro (AL MENOS UNA VEZ AL MES, manteniendo las indicaciones relativas al mantenimiento del presente manual). En caso de no seguir los principios relativos a la limpieza de la campana y cambio de filtros puede surgir amenaza de incendio.
- Cuando el cable de alimentación esté dañado, deberá ser reemplazado en un taller especializado de reparación.
- Hay que garantizar la posibilidad de desconectar el aparato de la red eléctrica, por medio de la desconexión del interruptor bipolar.
- El presente aparato no debe ser usado por personas (incluyendo niños) con capacidad física, sensual y psíquica limitada y por las personas que no tengan experiencia o conocimientos del empleo del aparato con tal de que se encuentren bajo vigilancia o sigan las instrucciones de uso del aparato por la persona responsable de su seguridad.
- Hay que fijarse en que los niños sin tutela no usen ni jueguen con el aparato.
- Comprobar que el voltaje de la tabla nominal equivale a los parámetros locales de alimentación.
- Antes montar desarrollar y enderezar el cable eléctrico.
- Los materiales de embalaje (saquitos de polietileno, trozos de poliuretano, etc.) deben ser guardados lejos del alcance de niños a la hora de desembalar.

- Antes de conectar la campana a la red eléctrica siempre se debe controlar que el cable eléctrico fue instalado correctamente y NO fue aplastado por la campana durante el montaje. No conectar el aparato a la red eléctrica antes de terminar el montaje.
- Está prohibido usar la campana sin montar los filtros de grasa de aluminio.
- Está absolutamente prohibido preparar platos a fuego abierto (flambeado).
- En cuanto a los medios de seguridad y técnicos relativos a la evacuación de gases de combustión se debe seguir absolutamente las leyes emitidas por las autoridades locales.
- No enroscar tornillos o elementos de fijación de conformidad con el presente manual puede amenazar la salud y la vida.
- Las campanas colgantes funcionan solamente en el modo de absorbedor de olores
- ¡ATENCIÓN! Si no se instalan los tornillos y elementos de fijación de acuerdo con estas instrucciones se puede incurrir en riesgos de naturaleza eléctricos.
- El dispositivo puede ser empleado por niños de 8 años o mayores, por personas con capacidad física, sensorial o psíquica reducida y por personas que no tengan experiencia o conocimientos del empleo del aparato, en caso de estar vigiladas o cuando hayan sido instruidas sobre el uso del aparato de forma segura y conozcan los peligros relacionados con el uso del aparato. Los niños no deben jugar con el aparato. La limpieza y el mantenimiento del aparato no debe ser realizado por los niños a menos que tengan cumplidos los 8 años y se encuentren bajo vigilancia de persona adecuada.

DESEMBALAJE

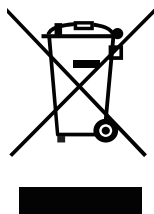


El aparato ha sido asegurado contra daños antes del transporte. Después de desembalar el dispositivo les rogamos eliminen los elementos del embalaje de forma que no sea nociva para el medio ambiente.

Todos los materiales empleados para embalar no son nocivos para el medio ambiente, en un 100% sirven para ser reciclados y llevan símbolos respectivos.

¡Advertencia! Los materiales de embalaje (saquitos de polietileno, trozos de poliuretano, etc.) deben ser guardados lejos del alcance de niños a la hora de desembalar.

ELIMINACIÓN DE APARATOS USADOS



Este aparato está marcado con el símbolo de contenedor para desechos tachado, según la Directiva Europea 2012/19/CE. Dicho símbolo informa que este aparato, pasado el periodo de su uso, no debe ser eliminado junto con los demás desechos procedentes de hogares.

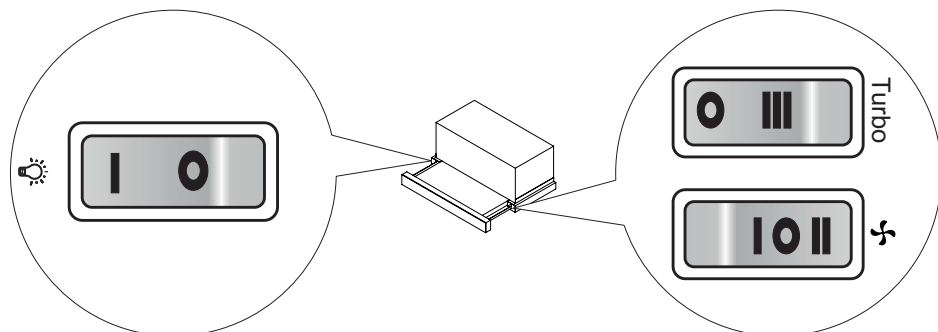
El usuario está obligado a devolverlo a un lugar destinado para recoger el equipo eléctrico y electrónico gastado. Las entidades que realizan la recogida, incluyendo los puntos locales de recogida, tiendas, y entidades municipales, crean un sistema adecuado que permite la devolución de estos aparatos.

El adecuado uso del equipo eléctrico y electrónico gastado ayuda a evitar las consecuencias que son nocivas para humanos y para el medio ambiente procedentes de la presencia de componentes peligrosos e inadecuado almacenamiento y procesamiento de estos dispositivos.

USO

Control de campana

El panel de control de la campana está presentado en el dibujo 4, para recordar también lo ponemos a continuación:




El panel de control está dotado de botones (cuna). Son visibles después de sacar la frente telescópica.

La campana telescópica está dotada de conmutador final. Cada vez cuando saque la frente telescópica, la campana empezará el trabajo en una marcha fijada antes.

Marchas posibles para fijar (con la frente sacada):

- I- Marcha inferior. Usar esta marcha con pocos vahos.
- II- Marcha media. Usar esta marcha con media cantidad de vahos, por ejemplo, a la hora de cocinar muchos platos al mismo tiempo.
- III- Marcha superior. Usar esta marcha con mayor cantidad de vahos, por ejemplo, a la hora de freír o asar a la parilla.
- Campana desactivada (al sacar el panel no activaremos el motor de la campana).

El botón señalado como  sirve para activar o desactivar la iluminación. La iluminación en la campana funciona independientemente del motor de la campana.

En función del modelo el conmutador final también hace que se desactive la luz cuando introduzca el panel frontal.

Otra información importante relativa al uso de la campana

Trabajo como absorbedor: En esta opción el aire filtrado vuelve al cuarto por medio de los agujeros preparados para ello. En esta configuración se debe montar el filtro de carbón y se recomienda montar el volante de soplado de aire (disponible en función del modelo, existe sobre todo en campanas de chimenea).

Trabajo como extractor: Durante el modo de trabajo de extractor de la campana, el aire es evacuado hacia fuera con un conducto especial. Con esta configuración se debe eliminar el eventual filtro de carbón. La campana está conectada al agujero que evacúa el aire hacia fuera por medio de un conducto rígido o elástico de diámetro de 150 mm ó 120 mm y bornes adecuados para conductos que se deben comprar en lugares con materiales de instalación. La conexión debe ser realizada por un instalador calificado.

Velocidad de ventilador: La velocidad inferior y media se usa en condiciones normales y con pocos vahos, mientras que la velocidad superior se debe usar solamente con concentración alta de vahos de cocina, por ejemplo, a la hora de freír o preparar con parilla.

Atención (se refiere solamente a campanas universales): La estructura de campanas universales requiere cambio manual de modo de trabajo de la campana. La forma de cambio de este modo está presentada en la figura 8.

Atención (se refiere solamente a las campanas de muebles y telescópicas): Las campanas de muebles y telescópicas que trabajan en el modo de absorbedor requieren montaje de tubo que evacúa el aire. El segundo extremo del tubo debe ir dirigido al cuarto, por este tubo se evacuará el aire filtrado.

Advertencia: Las campanas colgantes funcionan solamente en el modo de absorbedor.

LIMPIEZA Y CONSERVACIÓN

Mantenimiento

El mantenimiento y limpieza regulares garantizarán un trabajo bueno y sin avería de la campana y alargarán su vida útil. Se debe prestarse mucha atención que el filtro de grasa y el filtro con carbón activo estén limpios y se reemplacen de conformidad con las recomendaciones de fabricante.

- No usar trapos mojados ni esponjas ni chorro de agua.
- No usar disolventes ni alcohol ya que pueden hacer mates las superficies barnizadas.
- No usar sustancias cáusticas, sobre todo para limpiar superficies hechas de acero inoxidable.
- No usar trapo duro, ásperos
- Se recomienda usar trapo húmedo y detergentes neutros.

Advertencia: Después de unos lavados en el lavavajías, el color de filtro de aluminio puede cambiar. El cambio de color no significa irregularidades y necesidad de su reemplazo.

Filtro de grasa

El filtro debe ser limpiado cada mes durante el trabajo normal de la campana, en el lavavajías o manualmente con uso de un detergente delicado o jabón líquido.

El desmontaje de filtro de grasa se encuentra en la figura 5.

En algunos modelos se usa filtro acrílico. Se debe reemplazarlo al menos cada dos meses o con más frecuencia en caso de uso intenso.

Filtro de carbón

El filtro de carbón se usa solamente cuando la campana no está conectada al conducto de ventilación. El filtro con carbón activo tiene la capacidad de absorber olores hasta su saturación. No sirve para lavar ni para recuperación y debe ser reemplazado, al menos una vez cada 3-4 meses o con más frecuencia en caso de uso excepcionalmente intenso. El desmontaje de filtro de carbón se encuentra en la figura 6.

Iluminación

Se deben usar bombillas / halógenos / módulos de diodos de los mismos parámetros como los montados en el aparato en la fábrica. El cambio de iluminación se encuentra en la figura 7. Si la figura no aparece en el presente manual, el cambio de módulo de iluminación puede ser realizado solamente por servicio autorizado.

GARANTÍA, ATENCIÓN DE POST VENTA

Garantía

Servicios de garantía según la tarjeta de garantía. El fabricante no asume ninguna responsabilidad por los daños causados por el uso incorrecto del producto.

Servicio técnico

- El fabricante del equipo sugiere que todas las reparaciones y ajustes sean realizados por el Servicio de Fabrica o el Servicio Autorizado del Fabricante. Por razones de seguridad, no repare el dispositivo usted mismo.
- Las reparaciones realizadas por personas sin las cualificaciones requeridas pueden constituir un grave peligro para el usuario del dispositivo.
- El periodo de garantía mínimo para el dispositivo ofrecido por el fabricante, importador o representante autorizado se encuentra en la tarjeta de garantía.
- El dispositivo perderá su garantía como resultado de adaptaciones arbitrarias, alteraciones, manipulación de sellos u otras garantías del equipo o partes del mismo, así como otras interferencias arbitrarias no conformes con las instrucciones de uso.

Solicitud de reparación y asistencia en caso de avería

Si el dispositivo requiere reparación, contacte con el servicio técnico. La dirección del servicio técnico y el número de teléfono de contacto se encuentran en la tarjeta de garantía. Antes de contactar con el servicio técnico, prepare el número de serie del dispositivo, que se encuentra en la placa de características. Para mayor comodidad, introduzca a continuación:

--	--	--	--	--	--	--	--	--	--	--	--	--	--	--	--	--	--	--	--	--	--	--

Declaración del fabricante

El fabricante declara con la presente que el producto cumple los requisitos esenciales de las siguientes directivas europeas:

- **directiva de baja tensión 2014/35/EC**
- **directiva de compatibilidad electromagnética 2014/30/EC**
- **directiva de diseño ecológico 2009/125/EC**
- **directiva RoHS 2011/65/EC**

y por lo tanto el producto fue marcado **CE** y tiene declaración de conformidad compartida a las entidades que supervisan el mercado.

Prezado Cliente

A partir de hoje as tarefas cotidianas tornar-se-ão mais simples do que nunca. O aparelho **Amica** é uma combinação de extrema facilidade de utilização e excelente eficiência. Após uma análise do manual de instruções, a sua utilização não apresentará qualquer problema.

O equipamento, antes de abandonar a fábrica e ser embalado, foi controlado minuciosamente nos postos de controlo tendo em conta a sua segurança e funcionalidade.

Por favor, leia atentamente o manual de instruções antes de activar o aparelho. O cumprimento dos conselhos que nele se encontram protegê-lo-ão contra uma utilização incorrecta. O manual deve ser guardado e armazenado de forma a encontrar-se sempre à mão.

Deve respeitar convenientemente as instruções do manual, para evitar acidentes infelizes.

Atenciosamente

Amica

CONSELHOS DE SEGURANÇA

- O aparelho apenas deve ser iniciado após tomar conhecimento do manual!
- O aparelho destina-se a apenas à utilização doméstica.
- Ao fabricante reserva-se o direito de introduzir alterações, que não influenciem o funcionamento do aparelho.
- O fabricante não se responsabiliza de qualquer forma pelos eventuais danos ou incêndios provocados pelo aparelho e resultantes do incumprimento das recomendações incluídas no presente manual.
- O exaustor de cozinha serve para remover os vapores de cozinha. Não utilizar para fins não conformes.
- Conectar o exaustor que opera em modo de extracção a uma conduta de exaustão apropriada (não conectar a chaminés, condutas de exaustão de fumo ou gás utilizadas). O exaustor requer a instalação de um ventilador de ar para o exterior. O comprimento do ventilador (na maioria dos casos um tubo \varnothing 120 mm ou 150 mm) não deve exceder os 4-5 m. O ventilador de aspiração de ar também é obrigatório no caso de exaustores telescópicos e encastráveis em modo de recirculação.
- O exaustor em modo de recirculação requer a instalação de um filtro de carvão activo. Neste caso não é exigida a instalação de uma conduta de ar para o exterior, no entanto recomenda-se a montagem do sistema de devolução de ar (apenas nos exaustores tipo chaminé).
- O exaustor inclui um sistema de iluminação independente e um ventilador de extracção com possibilidade de ajuste entre os vários níveis de velocidade de rotação.

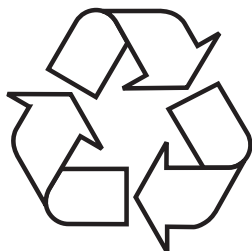
- Dependendo da versão do aparelho, o exaustor destina-se à instalação permanente sobre uma parede vertical por cima do fogão a gás ou eléctrico (exaustores tipo chaminé e universais); sobre o tecto por cima do fogão a gás ou eléctrico (exaustores de ilha); sobre uma parede vertical no caso de encastramento por cima do fogão a gás ou eléctrico (exaustores telescópicos e encastráveis). Antes de proceder com a montagem, certifique-se que a construção da parede / tecto tem capacidade suficiente para manter o exaustor. Alguns modelos de exaustores são muito pesados.
- A altura de montagem do aparelho por cima de uma placa eléctrica encontra-se indicada na carta do produto (especificação técnica do aparelho). Se nas instruções de instalação dos aparelhos a gás for recomendada uma distância maior, deve respeitá-las (Ilustr. 1).
- Quando retirar os utensílios do queimador, não deixe uma chama aberta por baixo do exaustor de cozinha, ajuste uma chama mínima. Verifique sempre se o diâmetro da chama não ultrapassa os limites do utensílio, para evitar uma desnecessária perda de energia e uma concentração perigosa de calor.
- Os alimentos preparados com gordura devem ser permanentemente supervisionados, pois a gordura sobreaquecida pode ser facilmente incendiada.
- Antes de qualquer limpeza, substituição de filtro ou antes de proceder com reparos, retire a ficha do aparelho da tomada.
- Limpe o filtro de gordura do exaustor de cozinha pelo menos 1 vez por mês, pois se ficar embebido em gordura torna-se inflamável.
- Se no respectivo espaço interior, além do exaustor, também forem utilizados outros aparelhos não eléctricos (p.ex. fogões alimentados a combustível líquido, esquentadores, aquecedores de água), deve garantir uma ventilação adequada (conduta de ar). A utilização segura é possível, se no caso de funcionamento em simultâneo do

exaustor e de aparelhos de combustão que dependem da presença de ar no espaço interior, no ambiente de instalação, destes dispositivos houver uma depressão máxima de 0,004 mbar (o presente ponto não diz respeito se o exaustor de cozinha for utilizado em modo de recirculação).

- O exaustor não deve servir como superfície de apoio para as pessoas que se encontram na cozinha.
- A superfície do exaustor deve ser limpa com frequência tanto na sua parte exterior como interior (PELO MENOS UMA VEZ POR MÊS, de acordo com os conselhos de manutenção incluídos no presente manual). O incumprimento das regras de limpeza do exaustor e de substituição dos filtros pode resultar no risco de incêndio.
- Se o cabo de alimentação for danificado, deve ser trocado num ponto de reparo especializado.
- Assegurar a possibilidade de desconexão do aparelho da corrente eléctrica, removendo a ficha ou desligando o interruptor bipolar.
- O presente equipamento não deve ser usado por pessoas (incluindo crianças) com capacidades físicas, sensoriais ou mentais reduzidas ou por pessoas sem experiência ou conhecimento do aparelho, excluindo situações em que estiverem sob supervisão ou procederem de acordo com a instrução de utilização do aparelho, transmitida pela pessoa responsável pela sua segurança.
- Tomar especial atenção, para que o aparelho não seja utilizado por crianças sem supervisão.
- Verificar se a tensão indicada na chapa de identificação corresponde aos parâmetros de alimentação locais.
- Desdobrar e endireitar o cabo de alimentação antes da montagem.
- Os componentes de embalagem (os saquinhos de polietileno, pedaços de esferovite, etc.) devem ser mantidos fora do alcance de crianças durante o desempacotamento.

- Antes de conectar o exaustor à electricidade verificar se o cabo de alimentação foi devidamente instalado e NAO ficou preso por baixo do exaustor durante as tarefas de instalação. Não conectar o aparelho à electricidade antes de terminar a sua instalação.
- É proibida a utilização do exaustor sem montar os filtros de gordura em alumínio.
- É extremamente proibida a preparação de alimentos com chama aberta por baixo do exaustor (flambagem).
- Respeitar rigorosamente os regulamentos emitidos pelas competentes autoridades locais no âmbito de requisitos técnicos e de segurança relativos ao escape.
- Os parafusos mal apertados e os elementos fixos sem seguir os conselhos do presente manual podem resultar em riscos para a saúde e a vida.
- Os exaustores suspensos apenas funcionam em modo de recirculação
- ATENÇÃO! A falta de instalação de parafusos ou dispositivos de fixação em conformidade com estas instruções, pode resultar em riscos elétricos.
- Este aparelho pode ser utilizado por crianças a partir dos 8 anos de idade, por pessoas com capacidades físicas, sensoriais ou mentais reduzidas e por pessoas com falta de experiência ou conhecimento da aparelhagem, se estiverem sob supervisão ou forem instruídas acerca da utilização do aparelho de forma segura e têm noção dos riscos resultantes da utilização do aparelho. As crianças não devem brincar com o aparelho. A limpeza e manutenção do aparelho não devem ser efectuadas por crianças, a não ser que tenham mais de 8 anos de idade e estejam sob supervisão de uma pessoa responsável.

DESEMPACOTAMENTO



O aparelho foi protegido durante o seu transporte contra uma danificação. Após desembalar o aparelho, por favor remova os elementos de embalagem de forma que não ameace o meio ambiente.

Todos os materiais utilizados para a produção da embalagem são inofensivos ao ambiente natural, são 100 % recicláveis e foram identificados com o respectivo símbolo.

Atenção! Os materiais de embalagem (os saquinhos de polietileno, pedaços de esferovite, etc.) devem ser mantidos fora do alcance de crianças durante o desempacotamento.

ELIMINAÇÃO DE APARELHOS GASTOS



O presente aparelho está identificado com o símbolo de contentor de lixo barado de acordo com a Directiva da União Europeia 2012/19/UE. Esta identificação informa de que o equipamento em questão não pode ser colocado juntamente com os restantes resíduos domésticos, após terminar a sua utilização.

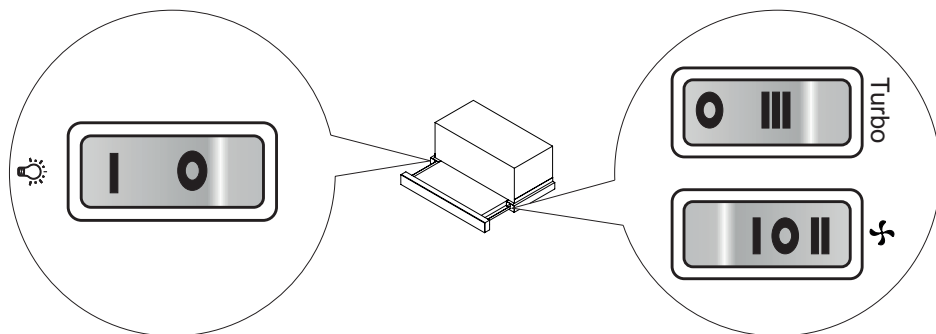
O utilizador é obrigado a entregá-lo num ponto de recolha de aparelhagem eléctrica e electrónica gasta. Os pontos de recolha, incluindo os pontos de recolha locais, as lojas e as unidades municipais, criam um sistema apropriado, que possibilita a entrega de tal equipamento.

O tratamento correcto dos resíduos de equipamento eléctrico e electrónico permite evitar consequências nocivas para a saúde de pessoas e para o meio ambiente, resultantes da presença de substâncias perigosas e da sua eliminação e tratamento incorrectos.

UTILIZAÇÃO

Controlo do exaustor

O painel de comando do exaustor foi apresentado na ilustração 4, a fim de lembrá-lo, também se encontra abaixo:



O painel de comando está equipado com botões (interruptor de balancim). Os mesmos são visíveis após a extracção da frente telescópica. O exaustor telescópico está equipado com um interruptor de limite. De cada vez que a frente telescópica for extraída, o exaustor é activado com a velocidade previamente configurada.

Velocidades disponíveis (com frente extraída):

- I- Velocidade mais baixa. Esta velocidade deve ser usada com uma pequena quantidade de vapores.
- II- Velocidade média. Esta velocidade deve ser usada com uma quantidade média de vapores, por exemplo quando simultaneamente forem preparados diferentes alimentos.
- III- Velocidade máxima. Esta velocidade deve ser usada com uma quantidade máxima de vapores, por exemplo durante a fritura ou grelha.
- Exaustor desligado (ao extrair o painel, o motor do exaustor não é activado).

O botão identificado como serve para ligar ou desligar a iluminação. A iluminação do exaustor funciona independentemente da velocidade do motor.

Consoante o modelo o interruptor de limite também desliga a iluminação quando o painel de frente for inserido de novo.

Outras informações importantes sobre a utilização do exaustor

Modo de recirculação: Nesta opção o ar filtrado retorna ao espaço interior através dos respectivos orifícios. Nesta opção, deve ser instalado um filtro de carvão e é recomendada a instalação de um sistema de devolução de ar (a sua disponibilidade depende do modelo, disponível maioritariamente nos exaustores de chaminé).

Modo de extracção: Com o modo de extracção de ar, o exaustor envia o ar filtrado para o exterior através de um ventilador. Nesta opção deve remover o eventual filtro de carvão. O exaustor está conectado ao orifício de extracção de ar para o exterior através de um ventilador rígido ou flexível com diâmetro de 150 mm ou 120 mm e de braçadeiras apropriadas para ventiladores que devem ser adquiridas em pontos com materiais de instalação. A conexão deve ser feita por um instalador qualificado.

Velocidades do ventilador: A velocidade mais baixa e média são usadas em condições normais e com baixa concentração de vapores e a velocidade mais alta apenas deve ser usada no caso de uma grande concentração de vapores de cozinha, p.ex. durante a fritura ou grelha.

Atenção (apenas diz respeito aos exaustores universais): A estrutura dos exaustores universais requer uma modificação manual do modo de funcionamento do exaustor. A forma de modificação do respectivo modo foi apresentada na ilustração 8.

Atenção (apenas diz respeito aos exaustores de encastre e telescópicos): Os exaustores de encastre e telescópicos em modo de recirculação requerem a montagem de um tubo de extracção do ar. A outra ponta do tubo deve ser direccionada no sentido do espaço interior, é através dela que o ar filtrado será redireccionado.

Atenção: Os exaustores suspensos apenas funcionam em modo de recirculação.

LIMPEZA E MANUTENÇÃO

Manutenção

A manutenção e limpeza regulares do aparelho garantem um funcionamento fiável e a falta de falhas do exaustor bem como prolongam a sua longevidade. Deve prestar especial atenção aos filtros de gordura e de carvão pois estes devem ser limpos e substituídos de acordo com as recomendações do fabricante.

- Não usar panos ou esponjas embebidos em água nem um caudal de água.
- Não utilizar diluentes nem álcool, pois estes podem retirar o brilho às superfícies envernizadas.
- Não usar produtos abrasivos, particularmente quando forem limpas as superfícies em aço inoxidável.
- Não usar panos rígidos e ásperos
- Recomenda-se a utilização de um pano húmido e de detergentes neutros.

Atenção: Após alguns ciclos de lavagem na máquina a cor do filtro em alumínio pode alterar. A alteração da cor não é sinal de nenhum defeito nem requer a sua troca.

Filtro de gordura

O filtro de gordura deve ser limpo pelo menos uma vez por mês na máquina ou à mão com um detergente delicado ou sabão líquido no caso de um funcionamento normal do exaustor.

A desmontagem do filtro de gordura foi apresentada na ilustração 5.

Nalguns modelos foi aplicado um filtro acrílico. Este deve ser substituído pelo menos cada 2 meses ou com maior frequência em caso de uma utilização particularmente intensa.

Filtro de carvão

O filtro de carvão apenas é utilizado quando o exaustor não estiver ligado ao ventilador. O filtro de carvão activo tem a capacidade de absorver odores até ficar completamente embebido. Não deve ser lavado nem reutilizado e deve ser substituído pelo menos cada 3-4 meses ou com maior frequência em caso de uma utilização particularmente intensa. A desmontagem do filtro de carvão foi apresentada na ilustração 6.

Iluminação

Usar lâmpadas / halogéneos/ módulos de díodos com parâmetros iguais àqueles que foram pré-instalados no aparelho. A substituição de iluminação foi apresentada na ilustração 7. Se a ilustração não se encontrar incluída no presente manual, a substituição do módulo de iluminação apenas poderá ser efectuada por um serviço autorizado.

GARANTIA, SERVIÇO PÓS-VENDA

Garantia

Atestado de garantia conforme a carta de garantia. O fabricante não se responsabiliza por quaisquer danos provocados pela utilização incorrecta do produto.

Serviço

- O fabricante do produto recomenda que todos os reparos e as actividades regulatórias sejam efectuadas pelo Serviço do Fabricante ou pelo Serviço Autorizado pelo fabricante. Não arranjar o aparelho por conta própria, por razões de segurança.
- Os arranjos efectuados por pessoas sem as necessárias qualificações, podem constituir uma ameaça séria para o utilizador do aparelho.
- O período mínimo de garantia oferecido pelo fabricante ao dispositivo, importador ou representante autorizado é dado no cartão de garantia.
- O dispositivo perde a sua garantia no caso de adaptações por conta própria, alterações, adulteração de selos ou outras proteções do equipamento ou partes do mesmo e outras interferências por conta própria no equipamento que não estejam de acordo com as instruções de operação.

Pedido de reparação e assistência em caso de falha

Se o dispositivo precisar de reparo, entre em contato com o serviço. O endereço do serviço e o número de telefone de contato estão no cartão de garantia. Antes de entrar em contato, você deve ter em mãos o número de série do dispositivo, que está localizado na placa de identificação. Por conveniência, escreva-o abaixo:

--	--	--	--	--	--	--	--	--	--	--	--	--	--	--	--	--	--	--	--

Declaração do fabricante

O fabricante declara pelo seguinte, de que o presente produto preenche os requisitos essenciais das seguintes directivas europeias:

- **directiva de baixa tensão 2014/35/EU**
- **directiva de compatibilidade electromagnética 2014/30/EU**
- **directiva ecodesign 2009/125/UE**
- **directiva RoHS 2011/65/UE**

e por isso o produto foi identificado **CE** bem como foi lhe emitida uma declaração de conformidade partilhada com os órgão de controlo do mercado.

Štovani Klijenti

Od danas svakodnevne obveze nikad nisu bile jednostavnije. Uređaj **Amica** je spoj iznimno jednostavnog rukovanja i savršene učinkovitosti. Uporaba je jednostavna nakon čitanja uputa.

Oprema koja je izašla iz tvornice je prije pakiranja rigorozno provjerena na kontrolnim točkama na području sigurnosti i funkcionalnosti.

Molimo Vas da prije pokretanja uređaja pažljivo pročitate upute za uporabu. Pridržavanje pravila iz uputa štiti Vas od nepravilne eksploatacije. Upute sačuvati i čuvati na mjestu koje je uvijek pri ruci.

Pozorno pročitati upute za uporabu da bismo izbjegli nezgode.

Sa štovanjem

Amica

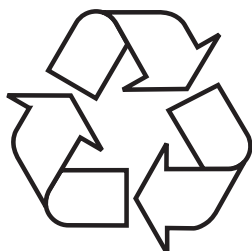
SIGURNOSNE NAPOMENE

- Napu koristiti tek nakon čitanja uputa za uporabu.
- Uređaj je namijenjen isključivo za kućansku uporabu.
- Proizvođač pridržava pravo na promjene koje ne utječu na rad uređaja.
- Proizvođač ne snosi nikakvu odgovornost za potencijalne štete ili požare koje je prouzrokovao uređaj zbog nepridržavanja uputa za uporabu.
- Kuhinjske nape služe za odvođenje onečišćenog zraka, pare i dima iz kuhinje. Ne koristiti u druge svrhe.
- Napu u usisnoj verziji priključiti u odgovarajući kanal za ventilaciju (napu se ne smije priključiti na dimnjake kotlova, kamina, odvoda koji služe za odvod dima nastalog uslijed sagorijevanja. Napa zahtijeva montažu ispušne cijevi za zrak. Dužina voda (najčešće cijev \varnothing 120 mm ili 150 mm) ne bi trebala prekoračiti 4-5 m. Crijevo za odvod zraka je neophodno i kod teleskopskih i ugradbenih napa s režimom recirkulacije zraka.
- Napa u verziji s cirkuliranjem zraka zahtijeva instalaciju filtera s aktivnim ugljenom. U tom slučaju nije neophodna montaža cijevj koja odvodi zrak u vanjsku ventilaciju, preporučena je instalacija poklopca usmjeravanje zraka (samo kaminske nape).
- Napa posjeduje neovisnu rasvjetu i usisni ventilator s mogućnosti podešavanja nekoliko brzina okretaja.
- Ovisno o verziji napa je namijenjena za trajnu montažu na okomitom zidu iznad plinskog ili električnog štednjaka (kaminske ili univerzalne nape); na stropu iznad električnog ili plinskog štednjaka (otocna); na okomitom zidu u namještaju iznad plinskog ili električnog štednjaka (teleskopske i ugradne nape). Prije montaže provjeriti da li je konstrukcija zida/stropa dovoljno jaka da izdrži napu. Neki modeli kuhinjskih napa su jako teški.

- Visina montaže uređaja iznad električne ploče je navedena u specifikaciji uređaja (u tehničkim podacima). Ako je u uputama za instalaciju plinskih uređaja navedena veća udaljenost, uzeti u obzir veći razmak (Crt.1).
- Ispod kuhinjske nape ne ostavljati otkriveni plamen, tijekom skidanja posuda s plamenika podesiti minimalni plamen. Uvijek provjeriti da li plamen ne izlazi ispod posude, jer to uzrokuje nepoželjne gubitke energije i opasnu koncentraciju topline.
- Jela koja su pripremana na masnoć stalno nadzirati, jer se pregrijana masnoća može lako upaliti.
- Prije svakog čišćenja, promjene filtera ili popravaka izvući utikač iz mrežne utičnice.
- Filter za masnoću čistiti najmanje jednom, mjesečno, jer je zapaljiv kad je zasićen masnoćom.
- Ako su u prostoriji osim nape korišteni neki drugi neelektrični uređaji (peći na tekuća goriva, radijatori, terme) pobrinuti se za dovoljnu ventilaciju (dovod zraka). Ako napu koristite u istovremeno s uređajima koji se ne napajaju električnom energijom, podtlak u prostoriji ne smije prelaziti 0,004 mbar, čime se sprječava da napa povuče ispusne plinove natrag u prostoriju. (ova napomena ne obvezuje kad je napa korištena u filter verziji).
- Na kuhinjsku napu se ne mogu naslanjati osobe koje se nalaze u kuhinji.
- Napa treba često čistiti kako izvana, tako i iznutra (NAJMANJE JEDNOM MJESEČNO), pridržavati se napomena o održavanju navedenih u ovim uputama). Nepridržavanje pravila čišćenja nape i promjene filtera može stvoriti opasnost od požara.
- Ako se kabel za napajanje ošteti, promijeniti ga na ovlaštenom servisnom mjestu.
- Mora postojati mogućnost isključivanja uređaja iz električne mreže, izvlačenjem utikača ili isključivanjem dvopolnog prekidača.
- Ovaj uređaj ne mogu koristiti osobe (uključujući djecu), smanjenih tjelesnih, osjetilnih i mentalnih mogućnosti ili osobe koje ne raspolažu znanjem ili iskustvom, ako nisu su pod nadzorom odrasle osobe koja je odgovorna za njihovu sigurnost.

- Posebno paziti da uređaj ne koriste djeca ostavljena bez nadzora.
- Provjeriti odgovara li napon električne mreže podacima navedenim na natpisnoj pločici.
- Prije montaže razviti i izravnati kabel za napajanje.
- Elemente pakiranja (polietilenske vrećice, komadići stiropora itd.) prilikom uklanjanja ambalaze držati daleko od djece.
- Prije priključivanja nape na električnu mrežu uvijek provjeriti da li je kabel za napajanje pravilno instaliran i da ga NISMO prignječili napom tijekom montaže. Ne uključivati uređaj u električnu mrežu prije završetka montaže.
- Zabranjena je uporaba nape bez montiranih aluminijskih filtera za masnoću.
- Strogo je zabranjeno pripremanje hrane na otvorenom plamenu ispod kuhinjske nape (flambiranje).
- Sto se tiče tehničkih i sigurnosnih mjera za odvodnju dima, strogo se pridržavati lokalnih propisa.
- Vijke pričvrstiti i montirati pričvrstne elemente u skladu s uputama za uporabu. U suprotnom napa može opasna po zdravlje i život.
- Višeće nape djeluju samo u recirkulacijskom režimu
- **PAZNJA!** Neuspješna instalacija vijaka i zatvarača u skladu s ovim uputama, može rezultirati opasnostima električne naravi.
- Ovim uređajem mogu rukovati djeca starija od 8 godina, osobe smanjenih fizičkih, osjetilnih ili mentalnih sposobnosti, kao i osobe s nedovoljnim iskustvom i znanjem, ukoliko su pod nadzorom ili su dobili upute za rad s uređajem na siguran način te razumiju opasnost kojoj su izloženi. Deca se ne smiju igrati uređajem. Djeca mlađa od 8 godina ne smiju čistiti i održavati uređaj, osim ako su ispunila 8 godina i ako nisu pod nadzorom odgovorne osobe

UKLANJANJE PAKIRANJA



Uređaj je za vrijeme transporta zaštićen od oštećenja. Nakon vađenja uređaja iz pakiranja molimo Vas da elemente ambalaze uklonite na način koji ne ugrožava okoliš.

Svi materijali korišteni za pakiranje nisu štetni za okoliš, 100% materijala je prikladno za recikliranje, stoga su

označeni odgovarajućim simbolom.

Pozor! Elemente pakiranja (polietilenske vrećice, komadići stiropora itd.) prilikom uklanjanja ambalaze držati daleko od djece.

ZBRINJAVANJE POTROŠENIH UREĐAJA



Ovaj uređaj je označen u skladu s europskom uredbom 2012/19/EU. Oznaka na proizvodu pokazuje da ovaj proizvod nakon njegovog životnog vijeka ne može biti tretiran kao obični kućanski otpad.

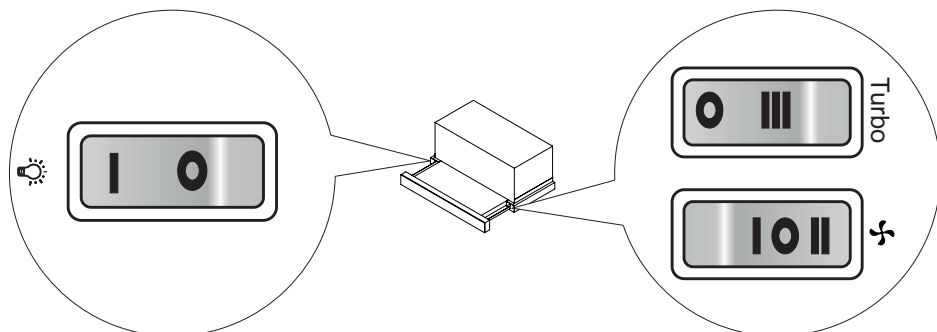
Korisnik ima obvezu ovaj proizvod predati na odgovarajuće sabirno mjesto za recikliranje potrošene električne i elektroničke opreme. Ustanove za prikupljanje ovakvog otpada, uključujući lokalne sabirne točke, kupovna mjesta, općinske jedinice, stvaraju odgovarajući sustav koji omogućava zbrinjavanje ovakve opreme.

Pravilno odlaganje potrošene električne i elektroničke opreme sprečava potencijalne negativne posljedice za okoliš i ljudsko zdravlje, koje inače mogu biti uzrokovane neodgovarajućim odlaganjem i preradom ovog proizvoda.

UPORABA

Upravljanje napom

Upravljačka ploča nape je predstavljena na crtežu 4, koji se također naziva niže:



Upravljačka ploča je opremljena tipkama (kolijevka). Tipke su vidljive nakon izvlačenja teleskopske čeonke ploče.

Teleskopska napa je opremljena graničnim prekidačem. Svaki put kad izvučemo teleskopsku čeonku ploču napa počinje s radom u prethodno podešenoj brzini.

Potencijalne brzine (kod izvučene čeonke ploče):

- I- Najniža brzina. Ovu brzinu koristiti kod male količine isparenja.
- II- Srednja brzina. Ovu brzinu koristiti kod srednje količine isparenja, na primjer tijekom istovremenog kuhanja više jela.
- III- Najviša brzina. Ovu brzinu koristiti kod najveće količine isparenja, na primjer tijekom prženja ili grilanja.
- Napa je isključena (izvlačenje ploče ne uzrokuje pokretanje motora nape).

Tipka označena kao  služi za uključivanje ili isključivanje rasvjete. Rasvjeta nape djeluje neovisno od motora nape.

Ovisno o modelu granični prekidač također isključuje svjetlo kad uvučemo čeonku ploču.

Ostale važne informacije o uporabi nape

Recirkulacijski režim: U ovoj opciji rada filtrirani zrak se opet vraća u prostoriju kroz prilagođene otvore. U ovom režimu treba montirati ugljeni filter i preporučena je montaža usmjerivača odvoda zraka (ovisno o modelu, pojavljuje se uglavnom u napama s dimnjakom).

Odzračni režim: U usisnoj verziji nape zrak je odvođen napolje specijalnim vodom. Izvadite ugljeni filter ako je u napi. Napa je priključena na otvor vanjskog ventilacijskog odvoda preko čvrste ili savitljive cijevi promjera 150 ili 120 mm i odgovarajućih obujmica za cijevi, koje treba kupiti u prodavaonicama s instalacijskim materijalima. Priključivanje obavlja kvalificirani instalater.

Brzine ventilatora Najnižu i srednju brzinu koristiti u normalnim uvjetima male koncentracije isparenja, a najvišu koristimo samo kad je koncentracija kuhinjskih isparenja visoka, np. tijekom prženja i grilanja.

Pozor (tiče se samo univerzalnih napa): Konstrukcija univerzalnih napa zahtijeva ručno mijenjanje režima rada nape. Način promjene tog režima je prikazan na crtežu 8.

Pozor (tiče se samo ugradbenih i teleskopskih napa): Ugradbene i teleskopske nape koje rade u cirkulacijskoj verziji zahtijevaju montažu cijevi za odvod zraka. Drugi kraj cijevi usmjeriti prema prostoriji, kroz cijev je odvođen filtrirani zrak.

Pozor: Viseće nape rade samo u recirkulacijskom režimu.

ČIŠĆENJE I ODRŽAVANJE

Održavanje

Redovito održavanje i čišćenje uređaja jamči dobar i pouzdan rad nape i produžava njezin životni vijek. Posebno paziti da filter za masnoću i filter s aktivnim ugljenom čistimo i mijenjamo u skladu s preporukama proizvođača.

- Ne koristiti krpe namočene u vodi, spužve niti mlaz vode.
- Ne koristiti razrjeđivače niti alkohol, jer mogu zatamniti lakirane površine.
- Ne koristiti korozivne tvari, posebno tijekom čišćenja površina od nehrđajućeg čelika.
- Ne koristiti tvrde, hrapave krpe
- Preporučena je uporaba vlažne krpe i neutralnih sredstava za pranje.

Pozor: Nakon nekoliko pranja u perilici za posuđe boja aluminijskog filtera može se promijeniti. Promjena boje ne znači da je uređaj neispravan ili da je neophodna njegova zamjena.

Filter protiv masnoće

Filter za masnoću čistiti najmanje jednom mjesečno kod normalnog rada nape; u perilici za posuđe ili ručno pomoću delikatnog deterdženta ili tekućeg sapuna.

Demontaža filtera za masnoću pokazana je na crtežu 5.

U nekim modelima je primijenjen akrilni filter. Moramo ga mijenjati maksimalno svaka 2 mjeseca ili češće u slučaju intenzivne uporabe.

Ugljeni filter

Ugljeni filter se koristi samo kad je napa nije priključena u ventilacijsku cijev. Filter s aktivnim ugljenom upija mirise dok se ne zasiti. Nije prikladan za pranje niti za regeneraciju i mijenjamo ga najmanje jednom svaka 3-4 mjeseca ili češće u slučaju intenzivne uporabe.

Demontaža ugljenog filtera je prikazana na crtežu 6.

Rasvjeta

Koristiti žarulje/ halogene / diodne module s istim parametrima kao te koje su tvornički montirane u uređaju. Zamjena žarulje je prikazana na crtežu 7. Ako se crtež ne pojavljuje u uputama, promjenu modula rasvjete obavlja isključivo ovlašteni servis.

JAMSTVO, POSLIJEPRODAJNE AKTIVNOSTI

Jamstvo

Jamstvene usluge u skladu s jamstvenim listom. Proizvođač ne snosi odgovornost za bilo kakvu štetu prouzrokovanu nepravilnom uporabom proizvoda.

Servis

- Proizvođač sugerira da sve popravke i regulacijske djelatnosti obavlja Tvornički Servis ili Ovlašteni Servis proizvođača. Iz sigurnosnih razloga samostalno ne popravljati uređaj.
- Popravci koje obavljaju osobe bez odgovarajućih kvalifikacija uzrokuju ozbiljnu opasnost za korisnika uređaja.
- Minimalno razdoblje jamstva za uređaj, koji nudi proizvođač, uvoznik ili ovlašteni predstavnik, navedeno je u jamstvenom listu.
- Uređaj gubi jamstvo u slučaju samovoljnih promjena ili prepravaka, skidanja plombi ili druge zaštite s uređaja ili njegovih dijelova, ili drugog samovoljnog uplitanja u konstrukciju uređaja koje nije u skladu s uputama za uporabu.

Prijavljivanje popravka i pomoć u slučaju kvara


Ako uređaj zahtijeva popravak, kontaktirati servis. Adresni podaci i kontaktni broj telefona nalaze se u jamstvenom listu. Prije stupanja u kontakt, pripremite serijski broj uređaja koji se nalazi na natpisnoj pločici. Prepišite ga nize kako biste ga imali pri ruci:

--	--	--	--	--	--	--	--	--	--	--	--	--	--	--	--	--	--	--	--

Izjava proizvođača

Proizvođač nižim izjavljuje da ovaj proizvod ispunjava osnovne uvjete niže navedenih europskih uredbi:

- niskonaponske uredbe 2014/35/UE
- uredbe elektromagnetne kompatibilnosti 2014/30/UE
- uredbe ekodizajna 2009/125/EC
- uredbe RoHS 2011/65/EC

i zato je proizvod označen  te je izdana izjava o sukladnosti koja je dostupna ustanovama za nadzor tržišta.

Spoštovani Klienti

Od danes bodo vsakodnevni opravki preprostejši kot kdajkoli prej. Naprava **Amica** je skupek izjemno lahke uporabe in popolne učinkovitosti. Ko boste prebrali navodila za uporabo, uporaba ne bo problem.

Naprava, ki je zapustila tovarno, je bila pred pakiranjem na kontrolnih oddelkih natančno preverjena glede varnosti in funkcionalnosti.

Prosimo vas, da si natančno preberete navodila za uporabo preden zaženete napravo. Zagotavljanje usklajenosti z vsebino v navodilih vas bo ščitilo pred neustrezno uporabo. Navodilo je treba shraniti in hraniti tako, da ga boste imeli vedno pri roki.

Skrbno upoštevajte navodila za uporabo, da preprečite kakršnokoli nezgodo.

S spoštovanjem,

Amica

NAVODILA ZA ZAGOTAVLJANJE VARNOSTI UPORABE

- Napo lahko uporabljate šele, ko preberete ta navodila.
- Naprava je namenjena izključno domači uporabi.
- Proizvajalec si pridržuje možnost izvajanja sprememb, ki nimajo vpliva na delovanje naprave.
- Proizvajalec ne nosi nobene odgovornosti za eventualno škodo ali požare, ki bi jih lahko izdelek povzročil ob neupoštevanju nasvetov, podanih v spodnjih navodilih.
- Kuhinjska napa služi odzračevanju kuhinjskih dimov. Ni primerna za uporabo v druge namene.
- Napa, ki je namenjena odzračevanju, mora biti povezana s primernim ventilacijskim kanalom (ne sme biti povezan z delujočimi kanali za kamin, dim ali paro). Napa zahteva instalacijo odvodne cevi, po kateri zrak potuje ven. Dolžina napeljave (najpogosteje cev \varnothing 120 mm ali 150 mm) ne sme biti daljša od 4-5 m. Pri teleskopskih in vgradnih napah v obtočnem načinu je zahtevan tudi izhod za odvod zraka.
- Obtočna napa zahteva instalacijo filtra na osnovi aktivnega oglja. V tem primeru ni potrebna instalacija odvodne zračne cevi, priporoča pa se montaža usmerjevalnika smeri zraka (samo za kaminske nape).
- K napi spada neodvisna osvetlitev in izvlečni ventilator z možnostjo nastavitve ene izmed nekaj obratovalnih hitrosti.
- Odvisno od različice izdelka, je napa namenjena trdni pritrditvi na vertikalni steni nad plinskim ali električnim štedilnikom (kaminske in univerzalne nape); na stropu nad plinskim ali električnim štedilnikom (otočne nape); na vertikalni steni v pohištveni vgradnji nad plinskim ali električnim štedilnikom (teleskopske ali vgradne nape). Pred montažo je potrebno preveriti, če je konstrukcija stene / stropa primerna za instalacijo nape. Nekateri modeli nap so zelo težki.
- Višina montaže izdelka nad elektronsko ploščo

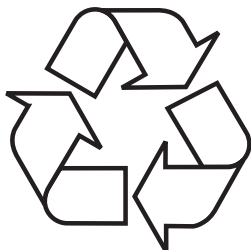
je podana v podatkovni kartici izdelka (tehnični specifikaciji izdelka). Če je pri navodilih za instalacijo plinskih izdelkov podana večja razdalja, je to treba upoštevati (Slika 1).

- Pod kuhinjsko nabo ne smete pustiti odprtega plamena, med odmikanjem posod iz štedilnika pa je potrebno ogenj zmanjšati na minimalni plamen. Vedno je potrebno preveriti, da plamen ne sega prek posode, saj to lahko povzroči neželeno izgubo energije in nevarno koncentracijo toplote.
- Jedi kuhane na maščobi morajo biti pod stalnim nadzorom, saj se lahko pregreta maščoba hitro vname.
- Pred vsakršnim čiščenjem, zamenjavo filtra ali pred začetkom popravilnih del, je potrebno vtičak izklopiti iz vtičnice.
- Maščobni filter kuhinjske nape je potrebno čistiti vsaj enkrat mesečno, saj se lahko filter, če je prežet z maščobo, hitro vname.
- Če se v prostoru poleg nape uporablja druge naprave brez električnega napajanja (npr. peči na tekoča goriva, pretočni grelniki vode, grelniki vode na plin) je potrebno zagotoviti zadostno ventilacijo (pritok zraka). Varna uporaba je možna, kadar pri istovrstnem delovanju nape in naprav na kurjavo, odvisnih od zraka v prostoru, na mestu instalacije teh naprav zračni tlak znaša največ 0,004 milibara (ta točka ne velja, kadar je uporabljena obtočna kuhinjska napa).
- Napa ljudem v kuhinji ne sme služiti kot površina za oporo.
- Napa mora biti redno čiščena, tako zunaj kot tudi znotraj (VSAJ ENKRAT MESECNO, z upoštevanjem napotkov, ki se tičejo vzdrževanja iz spodnjih navodil). Neupoštevanje pravil, ki se tičejo čiščenja nape oziroma menjave filtrov, lahko povzroči možnost nevarnosti požara.
- Če se poškoduje napajalni kabel, mora biti zamenjan v specializiranem servisu za popravila.
- Potrebno je zagotoviti možnost izklopa naprave od električne napeljave, bodisi z odklopom vtičca ali izklopom dvopolnega stikala.
- Naprava ni namenjena uporabi za osebe (tudi otroke) z omejeno fizično, senzorično ali psihično zmogljivostjo, ali osebam s pomanjkanjem izku-

šenj ali poznavanja naprave, razen če se to počne pod nadzorom ali v skladu z navodili uporabe naprave, ki jih podaja oseba, ki je odgovorna za njihovo varnost.

- Se posebej je potrebno paziti, da otroci brez nadzora ne uporabljajo naprave.
- Preveriti je potrebno, če napetost podana na znakovni tablici odgovarja parametrom napajalnega mesta.
- Pred montažo je električni prevodnik potrebno razviti in poravnati.
- Embalažna materiale (polietilenske vrečke, kose polistirena, itd.), je treba pri razpakiranju hraniti izven dosega otrok.
- Vedno preden napo povežemo je potrebno preveriti, če je bil napajalni kabel pravilno nameščen in NI bil v teku montaže preščišnjen ali prepognjen. Ne povezujte naprave z električno napeljavo pred koncem montaže.
- Uporaba nape brez montaže aluminijastih maščobnih filtrov je prepovedana.
- Pod napo je strogo prepovedana priprava jedi z uporabo odprtega ognja (flambiranje).
- V teku nameščanja tehničnih sredstev in sredstev odtoka dima in hlapov, ki se tičejo varnosti, se je potrebno natančno držati navodil, ki jih podajajo odgovorne lokalne oblasti.
- Vijaki ali utrjevalni elementi, ki niso pritrjeni v skladu s temi navodili, lahko povzročijo nevarnost zdravju ali življenju.
- Viseče nape delujejo le v obtočnem načinu odstranjevanja vonjav
- **POZOR!** Če pri montaži vijakov in pritrdilnih elementov ne upoštevate teh navodil, obstaja nevarnost električnega udara.
- To napravo lahko otroci v starosti 8 let ali več, osebe z omejenimi fizičnimi, senzoričnimi, ali psihičnimi sposobnostmi in osebe brez izkušenj ali poznavanja naprave, uporabljajo le kadar so nadzorovane, ali pa so bile poučene na temo varne uporabe naprave in poznajo možne nevarnosti povezane z uporabo naprave. Otroci se ne smejo igrati z napravo. Čiščenja in vzdrževanja naprave ne smejo izvajati otroci, razen če so že dopolnili 8 let in so pod nadzorom odgovorne osebe.

RAZPAKIRANJE



Naprava je bila za čas transporta zaščitena pred poškodovanjem. Prosimo, da po razpakiranju naprave odstranite elemente embalaže na način, ki ne ogroža okolja.

Vsi materiali, uporabljeni za embalažo, so okolju prijazni, v celoti jih je možno reciklirati, kar je označeno z ustreznim simbolom.

Pozor! Embalažna materiale (polietilenske vrečke, kose polistirena, itd.), je treba pri razpakiranju hraniti izven dosega otrok.

ODSTRANJEVANJE IZRABLJENIH NAPRAV



Ta naprava je označena skladno z evropsko direktivo 2012/19/EU. Taka oznaka obvešča, da se zadevne opreme po odraabi ne sme odlagati skupaj z drugimi gospodinjskimi odpadki.

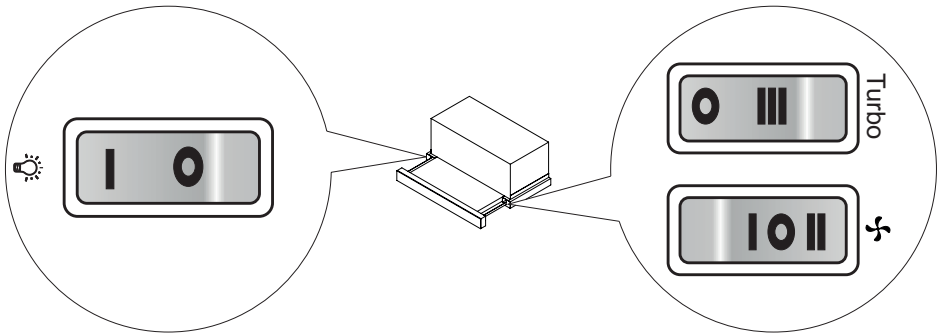
Uporabnik jo je dolžan oddati subjektu, specializiranemu za zbiranje odpadne električne in elektronske opreme. Ti zbiralci odpadkov, v tem lokalna zbirna mesta, trgovine in občinske enote, tvorijo ustrezní sistem, ki omogoča sprejem te odrabljene opreme.

Ustrezno ravnanje z odpadno električno in elektronsko opremo pomaga preprečiti zdravju ljudi in stanju naravnega okolja škodljive posledice, izhajajoče iz prisotnosti v njej nevarnih sestavin in iz neustreznega skladiščenja in predelave take opreme.

UPORABA

Upravljanje s kuhinjsko nabo


Upravljalni panel kuhinjske nape je predstavljen na sliki 3, za dodatno pripomnjenje pa se nahaja tudi spodaj:



Upravljalni panel je opremljen z gumbi (mehanski). Vidni so, ko izvlečemo sprednji teleskopski del. Izvlečna napa je opremljena z upravljalnim stikalom. Vsakič, ko potegnemo sprednji teleskopski del, napa začne z delovanjem na prej nastavljeni hitrosti.

Možne nastavitve hitrosti (pri izvlečenem sprednjem delu):

- I- Najnižja hitrost. To hitrost uporabite pri majhni količini kuhinjskih izparin.
- II- Srednja hitrost. To hitrost uporabite pri srednji količini kuhinjskih izparin, na primer pri kuhanju več jedi hkrati.
- III- Najvišja hitrost. To hitrost uporabite pri največji količini izparin, na primer med praženjem ali uporabo žara.
- Napa izklopljena (izvlečenje nape ne povzroči zagon motorja nape).

Gumb označen kot  služi vklopu ali izklopu osvetlitve. Osvetlitev v nabi deluje neodvisno od motorja nape.

Odvisno od modela upravljalno stikalo povzroči tudi izklop osvetlitve, ko se sprednji del nape potisne nazaj.

Druge pomembne informacije glede navodil za uporabo nape

Delovanje v obtočnem načinu: Pri tej opciji se prefiltriran zrak vrača v prostor prek za to namenjenih odprtin. Pri tej nastavitvi je potrebna montaža filtra na osnovi aktivnega olja oziroma se priporoča montaža usmerjevalnika izpihavanja zraka (dostopnost odvisna od modela, najpogosteje nastopa pri kaminskih napah).

Delovanje odzračevanja: Med odzračevalnim načinom delovanja nape se zrak odvaja ven prek posebnega odvoda. Pri tej nastavitvi je potrebno eventualno odstraniti filter na podstavi aktivnega oglja. Napa je povezana z odvodno cevjo, ki zrak odvaja ven s pomočjo trdne ali elastične cevi premera 150 ali 120 mm in primernih objemk za cevi, ki jih je potrebno kupiti v prodajalnah z inštalacijskimi materiali. Povezavo mora narediti kvalificiran inštalater.

Hitrost ventilatorja Najnižja in srednja hitrost se uporablja pri normalnih pogojih oz. pri majhni količini dima, najvišja hitrost pa naj se uporablja le pri veliki količini kuhinjskih dimov, npr. ob cvrtju ali praženju.

Pozor (tiče se le univerzalnih nap): Struktura univerzalnih nap zahteva ročno zamenjavo načina delovanja nape. Način spremembe tega načina je ilustriran na sliki 8.

Pozor (tiče se le vgradnih in teleskopskih nap): Vgradne in teleskopske nape, ki delujejo v obtočnem načinu zahtevajo montažo odtočne cevi za zrak. Drug konec cevi mora biti usmerjen v prostor, prek te se bo odvajal prefiltriran zrak.

Pozor: Viseče nape delujejo le v obtočnem načinu.

ČIŠČENJE IN VZDRŽEVANJE

Vzdrževanje

Redno vzdrževanje in čiščenje naprave zagotavlja dobro delovanje nape brez okvar in podaljša njeno življenjsko dobo. Potrebno je biti posebej pozoren, da se maščobni filter in filter z aktivnim ogljem čisti in menja v skladu s priporočili proizvajalca.

- Ne uporabljajte mokrih krp ali gobic, niti vode.
- Ne uporabljajte topil ali alkohola, saj lahko ti povzročijo, da polakirana površina postane matirana.
- Predvsem za čiščenje površine izdelane iz nerjavečega jekla ne uporabljajte korozivnih snovi.
- Ne uporabljajte trde, grobe krpe
- Priporoča se uporaba vlažne krpe ali različnih sredstev za pomivanje.

Pozor: Po nekaj pranjih v pralnem stroju se lahko barva aluminijastega filtra spremeni. Sprememba barve ne pomeni nepravilnosti, niti ne zahteva zamenjave filtra.

Maščobni filter

Maščobni filter mora biti pri normalnem delovanju nape očiščen v pomivalnem stroju s pomočjo nežnega detergenta ali tekočega mila.

Demontaža maščobnega filtra je prikazana na sliki 5.

Pri nekaterih modelih je nameščen akrilni filter. Potrebno ga je menjati vsaj enkrat na dva meseca ali pogosteje v primeru izjemno intenzivne uporabe.

Ogljeni filter

Filter z aktivnim ogljem se namešča izključno takrat, kadar napa ni povezana z ventilacijskim odvodom. Filter z aktivnim ogljem absorbira vonjave vse do zasičenosti. Ni primeren za umivanje, niti za obnovev in mora biti zamenjan vsaj na 3-4 meseca ali pogosteje v primeru izjemno intenzivne uporabe.

Demontaža maščobnega filtra z aktivnim ogljem je prikazana na sliki 6.

Osvetlitev

Namestiti je potrebno žarnice / halogenske žarnice / diodne module takšnih parametrov, kakršni so pri tistih, ki so bili v napravo nameščeni tovarniško. Zamenjava luči je prikazana na sliki 7. Če slika ne obstaja v navodilih za uporabo, se zamenjava modula osvetlitve lahko izvede le pri pooblaščenem servisu.

GARANCIJA, POPRODAJNE STORITVE

Garancija

Garancijske storitve skladno z garancijskim listom. Proizvajalec ne odgovarja za morebitno škodo zaradi nepravilnega ravnanja z izdelkom.

Servis

- Proizvajalec izdelka priporoča, da vsa popravila in regulacijske dejavnosti izvaja tovarniški servis ali servis, ki je avtoriziran od proizvajalca. Zaradi varnostnih razlogov, naprave ne smemo popravljati sami.
- Popravila, ki jih izvajajo osebe, ki nimajo zahtevanih pooblastil, lahko predstavljajo resno nevarnost za uporabnike naprave.
- Minimalni obvezujoč garancijski rok za napravo, ki jo ponuja proizvajalec, uvoznik ali pooblaščen zastopnik, je naveden na garancijskem listu.
- Naprava izgubi garancijo zaradi nepooblaščenih adaptacij, predelav, poškodovane plombe ali drugih zaščitnih delov opreme ali njihovih delov, pa tudi zaradi drugih samovoljnih posegov v opremo, ki niso v skladu z navodili za uporabo.

Zahteva za popravilo in pomoč v primeru okvare

Če naprava potrebuje popravilo, je potrebno kontaktirati servis. Naslov servisa in telefonska številka za kontakt se nahajata na garancijskem listu. Preden kontaktirate servis, morate pripraviti serijsko številko naprave, ki je na tablici proizvajalca. Za lažjo uporabo ga zapišite spodaj:

--	--	--	--	--	--	--	--	--	--	--	--	--	--	--	--	--	--	--	--

Izjava proizvajalca

Proizvajalec s tem izjavlja, da ta izdelek izpolnjuje temeljne zahteve spodaj navedenih evropskih direktiv:

- **nizkonapetostne direktive 2014/35/UE**
- **direktive o elektromagnetni združljivosti 2014/30/UE**
- **direktive o okoljsko primerni zasnovi 2009/125/ES**
- **direktive o RoHS 2011/65/ES**

in zato je bil izdelek označen z  oz. je bila zanj izdana uredba o skladnosti, ki je na voljo organom, ki nadzorujejo trg.

I dashur klient,

Nga tani e tutje, punët shtëpiake tuaja do të jenë më të lehta se kurrë më parë. Pajisja juaj elektroshtëpiake **Amica** është jashtëzakonisht e lehtë për t'u përdorur dhe tepër efikase. Pas leximit të këtyre udhëzimeve të përdorimit, përdorimi i pajisjes elektroshtëpiake do të jetë i lehtë.

Para se të paketohej dhe dërgohej nga prodhuesi, pajisja u kontrollua tërësisht në lidhje me sigurinë dhe funksionalitetin.

Para përdorimit të pajisjes, ju lutemi lexoni me kujdes këto Udhëzime Përdorimi Duke ndjekur me kujdes këto udhëzime do të jeni në gjendje të shmangni probleme në përdorimin e pajisjes. Është e rëndësishme t'i ruani këto Udhëzime Përdorimi dhe t'i mbani në një vend të sigurt në mënyrë që të mund ti lexoni në çdo kohë.

Ndiqni këto udhëzime me kujdes për të shmangur aksidente të mundshme.

Sinqerisht

Amica

SHËNIME PËR SIGURINË

- Pajisja është parashikuar vetëm për përdorim shtëpiak.
- Prodhuesi rezervon të drejtën për të bërë ndryshime, të cilat nuk ndikojnë në funksionimin e pajisjes.
- Prodhuesi nuk mban përgjegjësi për ndonjë dëmtim ose zjarr të shkaktuar nga pajisja që rezulton nga mosrespektimi i udhëzimeve në këtë manual.
- Aspiratori është projektuar për të hequr aromat e gatimit. Mos e përdorni aspiratorin për qëllime të tjera.
- Lidhni aspiratorin që funksionon në modalitet nxjerrës me një tubacion ventilimi të përshtatshëm (MOS e lidhni aspiratorin me tubacionet e tymit ose gazit, të cilat janë në përdorim). Kërkon instalimin e tubacionit të nxjerrjes së ajrit në pjesën e jashtme. Gjatësia e tubacionit (zakonisht një tub me Ø 120 ose 150 mm) nuk duhet të jetë më e gjatë se 4-5 m. Duhet gjithashtu një tubacion për nxjerrjen e ajrit për aspiratorët teleskopikë dhe të mobiljeve.
- Aspiratori që funksionon në modalitet riqarkullimi të ajrit kërkon instalimin e një filtri me qymyr aktiv. Në këtë rast, instalimi i një kanali shkarkues nuk është i nevojshëm, megjithatë rekomandohet të instaloni një tregues të rrymës së ajrit. (vetëm aspiratorët oxhak).
- Aspiratori përmban ndriçim të pavarur dhe ventilator shkarkimi që mund të operohet në disa shpejtësi të ndryshme.
- Në varësi të llojit, aspiratori është projektuar të jetë përgjithmonë i bashkuar me një mur vertikal mbi një sobë me gaz ose elektrike (aspiratorë oxhak dhe universal); në tavan mbi një sobë me gaz ose elektrike (aspiratorë ishullorë); të

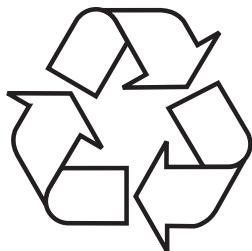
integruara në mobilje vertikale mbi një sobë me gaz ose elektrike (aspiratorë teleskopikë dhe të integruar). Para instalimit, sigurohuni që struktura e murit/tavanit të jetë mjaft e fortë për të varur aspiratorin. Disa aspiratorë janë shumë të rëndë.

- Për detajet e distancës së instalimit mbi një sobë elektrike ju lutemi referojuni fletës teknike të produktit Nëse udhëzimet e instalimit të sobës me gaz specifikojnë një distancë më të madhe, kjo duhet të merret parasysh (Fig. 1).
- Mos lini një flakë të hapur nën aspirator. Kur tenxheret hiqen nga soba, vendosni flakën minimale. Gjithmonë sigurohuni që flaka të mos shtrihet jashtë tenxheres, sepse kjo shkakton humbje të padëshiruar të energjisë dhe një përqendrim nxehtësie të rrezikshme.
- Kur gatواني me yndyrë, mbikëqyrni vazhdimisht tiganët, sepse yndyra e mbinxehur mund të ndizet.
- Shkëputni pajisjen para çdo pastrimi, duke zëvendësuar filtrin ose punën e riparimit.
- Filtri i yndyrave të aspiratorit duhet të pastrohet së paku një herë në muaj, sepse filtri i ngopur me yndyrë është i ndezshëm.
- Siguroni ventilim të përshtatshëm (rrjedhje ajri) në qoftë se në dhomë, krahas aspiratorit përdoren pajisjet e tjera të tilla si furra apo ngrohës me lëndë djegëse. Kur aspiratori funksionon njëkohësisht me pajisje djegëse që kërkojnë mjaft ajër të pastër në dhomë për të punuar si duhet, operimi i tyre i sigurt është i mundshëm nëse presioni rreth këtyre pajisjeve është një maksimum prej 0.004 mbar (kjo nuk zbatohet kur aspiratori përdoret si një filtër aromash)
- Mos u mbështesni mbi aspirator.
- Aspiratori duhet të pastrohet rregullisht si brenda ashtu dhe jashtë (TË PAKTËN NJË HERË NË MUAJ, duke ndjekur treguesit në lidhje me mirëmbajtjen e parashikuar në këtë manual). Mosrespektimi i rregullave në lidhje me pastrimin e aspiratorit dhe zëvendësimi i filtrave rezulton në rrezik zjarri.

- Nëse kordoni i rrymës është i dëmtuar duhet të zëvendësohet nga një qendër shërbimi e specializuar.
- Sigurohuni që është e mundur ta shkëputni pajisjen nga rrjeti elektrik duke hequr spinën ose duke e çaktivizuar çelësin bipolar.
- Kjo pajisje nuk synohet të përdoret nga personat (përfshirë fëmijët) me aftësi të kufizuara fizike, mendore ose ndijore apo nga persona të papërvojë ose të pa-familjarizuar me pajisjen, përveç nëse mbikëqyren ose pajtohen me udhëzimet që u komunikohen atyre nga personat përgjegjës për sigurinë e tyre.
- Duhet patur vëmendje e veçantë që fëmijët e pashoqëruar të mos përdorin pajisjen.
- Sigurohuni që voltazhi i treguar në tabelën përkatëse të korrespondojë me tensionin lokal të rrymës elektrike.
- Para përdorimit, zgjasni dhe drejtoni kordonin e rrymës.
- Materialet e paketimit (çanta, polietileni, polistireni, etj.) duhet të mbahen larg fëmijëve gjatë shpaketimit.
- Para se të lidhni aspiratorin me furnizimin me rrymë, gjithmonë kontrolloni që kordoni i rrymës të jetë instaluar siç duhet dhe të mos jetë bllokuar nga pajisja. Mos e lidhni pajisjen me rrjetin elektrik derisa montimi të ketë përfunduar.
- Mos e përdorni aspiratorin pa montuar filtrat e yndyrës prej alumini.
- Është rreptësisht e ndaluar të gatuani me flakë të hapur (flambë) nën aspirator.
- Gjithmonë duhet t'i përmbaheni rregullave të botuara nga autoritetet kompetente lokale në lidhje me kërkesat teknike dhe të sigurisë për nxjerrjen e tymrave.
- Mos-shtrëngimi i bulonave dhe lidhësve në përputhje me këto udhëzime mund të rrezikojë jetën dhe shëndetin.
- Aspiratorët e varut funksionojnë vetëm në modalitet qarkullimi të ajrit/thithjes së aromave

- Kjo pajisje mund të përdoret nga fëmijët e moshës 8 vjeç e lart ose nga persona me aftësi të kufizuara fizike, mendore ose shqisore apo nga ata që janë të pa përvojë ose të pafamiljarizuar me pajisjen, me kusht që të mbikëqyren ose të jenë udhëzuar se si ta përdorin pajisjen në mënyrë të sigurt dhe janë të familjarizuar me rreziqet që lidhen me përdorimin e pajisjes. Sigurohuni që fëmijët të mos luajnë me pajisjen. Pastrimi dhe mirëmbajtja e pajisjes nuk duhet të kryhen nga fëmijët përveç nëse nuk janë 8 vjeç ose më të mëdhenj dhe nën mbikëqyrjen e një personi kompetent.

SHPAKETIMI



Gjatë transportit përdoret paketim mbrojtës për ta mbrojtur pajisjen nga çdo dëmtim. Pas shpaketimit, ju lutemi të flakni të gjitha elementet e paketimit në mënyrë që nuk shkakton

dëme në mjedis.

Të gjitha materialet e përdorura për paketim të pajisjes nuk e ndotin mjedisin; ato janë 100% të riciklueshme dhe janë shënuar me simbolin e duhur. E rëndësishme! Materialet e paketimit (çanta, polietileni, polistireni, etj.) duhet të mbahen larg fëmijëve gjatë shpaketimit.

FLAKJA E PAJISJES SË VJETËR



Në pajtim me Direktivën Evropiane 2012/19/BE. Kjo shenjë tregon se pajisja nuk duhet të hidhen së bashku me mbeturinat shtëpiake të tjera pasi të jetë përdorur.

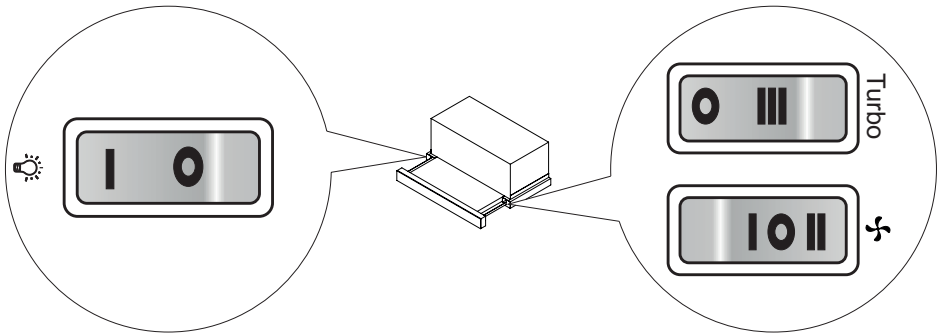
■ Përdoruesi është i detyruar ta dorëzojë në qendrën e grumbullimit të mbeturinave që mbledh produktet elektrike dhe elektronike të përdorura. Mbledhësit, duke përfshirë pikat lokale të grumbullimit, dyqanet dhe departamentet e autoriteteve lokale ofrojnë skema riciklimi.

Trajtimi i duhur i produkteve elektrike dhe elektronike të përdorura ndihmon në shmangien e rreziqeve mjedisore dhe shëndetësore që rezultojnë nga prania e komponentëve të rrezikshëm dhe ruajtja dhe përpunimi i papërshtatshëm i këtyre produkteve.

PËRDORIMI

Komandat e aspiratorit

Paneli i Kontrollit paraqitet në Figurën 4, për referencë shfaqet edhe më poshtë:



Paneli i kontrollit është i pajisur me butona (çelësa bipolar). Ju mund t'i përdorni butonat pasi të jetë i nxjerrë paneli ballor me tërheqje. Aspiratori teleskopik është e pajisur me çelës kufizimi. Çdo herë, kur nxirrni panelin ballor me tërheqje, aspiratori fillon me shpejtësinë e paracaktuar.

Shpejtësitë e disponueshme (kur paneli ballor me tërheqje të jetë i nxjerrë):

- I- Shpejtësi e ulët. Përdoreni këtë shpejtësi kur gatvani pak ushqim me pothuajse aspak avuj.
- II- Shpejtësi e mesme. Përdorni këtë shpejtësi kur gatvani në shumë enë njëkohësisht me volum mesatar avujsh.
- III- Shpejtësi e lartë. Përdorni këtë shpejtësi kur skuqni ose tiganisni, me volum të madh avujsh.
- Aspiratori i fikur (nxjerrja e panelit ballor me tërheqje nuk ndez aspiratorin).

Shtyp  për të ndezur/fikur ndriçimin. Ndrriçimi funksionon në mënyrë të pavarur nga aspiratori.

Në varësi të modelit çelësi i kufizimit gjithashtu fik ndriçimin kur tërhiqni panelin ballor.

Informacione të tjera të rëndësishme në lidhje me funksionimin e aspiratorit

Funksionimi në modalitetin e qarkullimit të ajrit/filtrimit të aromave. Në këtë mënyrë, ajri i filtruar kthehet në dhomë përmes grykave. Instaloni filtrin me qymyr aktiv në këtë cilësim. Rekomandohet të instaloni treguesin e rrymës së ajrit (në dispozicion në varësi të modelit, kryesisht në aspiratorët oxhak).

Operimi i nxjerrjes së ajrit: Kur aspiratori operon në modalitetin e nxjerrjes, ajri shkarkohet jashtë nëpërmjet një tubacioni nxjerrës. Hiqni filtrin me qymyr aktiv në këtë cilësim. Aspiratori është i lidhur me grykën e daljes së ajrit nëpërmjet një tubacioni të ngurtë ose elastik me diametër 150 ose 120 mm dhe morseta të përshtatshme, të cilat duhet të blihen në një dyqan pjesësh mekanike. Pajisja duhet të instalohet nga një instalues i kualifikuar.

Shpejtësia e ventilatorit: Shpejtësia më e ulët dhe e mesme e ventilatorit përdoret në kushte normale dhe aroma më pak të forta, ndërsa shpejtësia maksimale përdoret vetëm kur aromat e gatimit janë shumë të forta, si gjatë tiganisjes ose pjekjes në skarë.

Shënim (aplikohet vetëm për aspiratorët universalë): Për shkak të modelit të aspiratorëve universalë ju duhet të ndryshoni manualisht modalitetin e funksionimit. Shihni Figurën 8 për udhëzime se si të ndryshoni modalitetin.

Shënim (aplikohet vetëm për aspiratorët teleskopikë dhe të integruar): Aspiratorët e integruar në mobilje dhe teleskopikë që veprojnë në modalitet të riqarkullimit të ajrit kërkojnë instalimin e tubacionit të shkarkimit. Skaji tjetër i tubacionit duhet të drejtohet në dhomë, pasi do të shkarkojë ajrin e filtruar.

Shënim: Aspiratorët e varut funksionojnë vetëm në modalitet qarkullimi të ajrit/thithjes së aromave

PASTRIMI DHE MIRËMBAJTJA

Mirëmbajtja

Mirëmbajtja dhe pastrimi i rregullt i pajisjes siguron funksionimin pa probleme të aspiratorit dhe zgjat jetëgjatësinë e përdorimit. Sidomos sigurohuni që filtri i yndyrës dhe filtri me qymyr aktiv të zëvendësohen sipas rekomandimeve të prodhuesit.

- Të mos përdoret pëlhurë, sfungjer i qullur ose rrymë uji.
- Të mos përdoret tretës ose alkool, pasi mund të dëmtojnë sipërfaqet e lyera me vernik.
- Të mos përdoren substanca kaustike, sidomos për pastrimin e çelikut të pandryshkshëm.
- Të mos përdoret pëlhurë e ashpëruar ose gërryese.
- Rekomandohet përdorimi i një leckë të lagur dhe një detergjenti neutral.

Shënim: Pas disa larjeve në pjatolarëse, ngjyra e filtrit prej alumini mund të ndryshojë. Ndryshimi i ngjyrës nuk tregon papastërti ose domosdoshmëri për ta ndryshuar atë.

Filtri i yndyrës

Për funksionimin normal të aspiratorit, filtri i yndyrës prej alumini duhet të pastrohet çdo muaj në pjatolarëse ose me dorë duke përdorur një detergjent të butë apo sapun të lëngët.

Çmontimi i filtrit të yndyrës prej alumini paraqitet në Figurën 5.

Filtri akrilik përdoret në disa modele. Ky filtër duhet të zëvendësohet të paktën një herë në dy muaj ose më shpesh nëse pajisja përdoret intensivisht.

Filtri me qymyr aktiv

Filtri me qymyr përdoret vetëm kur aspiratori nuk është i lidhur me gypin e ventilimit. Filtri me qymyr aktiv mund të thithë aromat deri sa të ngopet. Filtri me qymyr nuk është i përshtatshëm për larje ose rigjenerim dhe duhet të zëvendësohet të paktën një herë në 3-4 muaj ose më shpesh nëse pajisja përdoret intensivisht.

Çmontimi i filtrit të qymyrit paraqitet në Figurën 6.

Ndriçimi

Përdorni modulet me ndriçim inkandeshent/halogjen/LED të të njëjtit specifikim si ato të instaluara nga fabrika. Shihni Figurën 7 për detaje se si të zëvendësohen dritat. Nëse nuk ka një figurë të tillë në këtë manual, ju lutemi të kontaktoni me shërbimin e autorizuar për të zëvendësuar modulën e ndriçimit.

GARANCIA DHE SHËRBIMI PAS SHITJES

Garancia

Shërbimi i garancisë siç deklarohet në kartën e garancisë. Prodhuesi nuk mban përgjegjësi për ndonjë dëmtim të shkaktuar nga përdorimi jo i duhur i produktit.




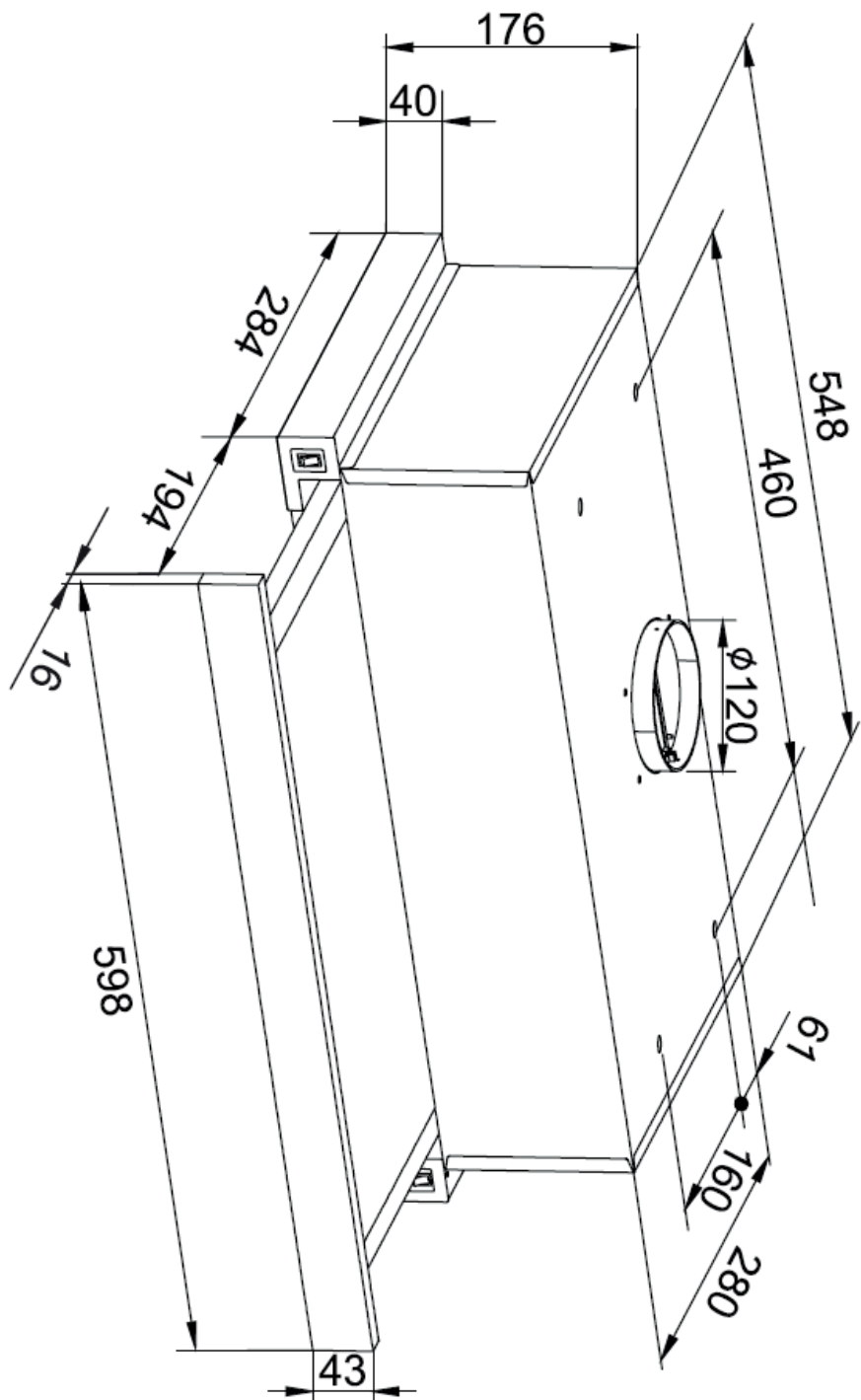
Prodhuesi rekomandon që të gjitha riparimet dhe rregullimet të kryhen nga Tekniku i Shërbimit të Fabrikës ose Pika e Autorizuar e Prodhuesit. Riparimet duhet të kryhen vetëm nga një teknik i kualifikuar.

Deklarata e prodhuesit

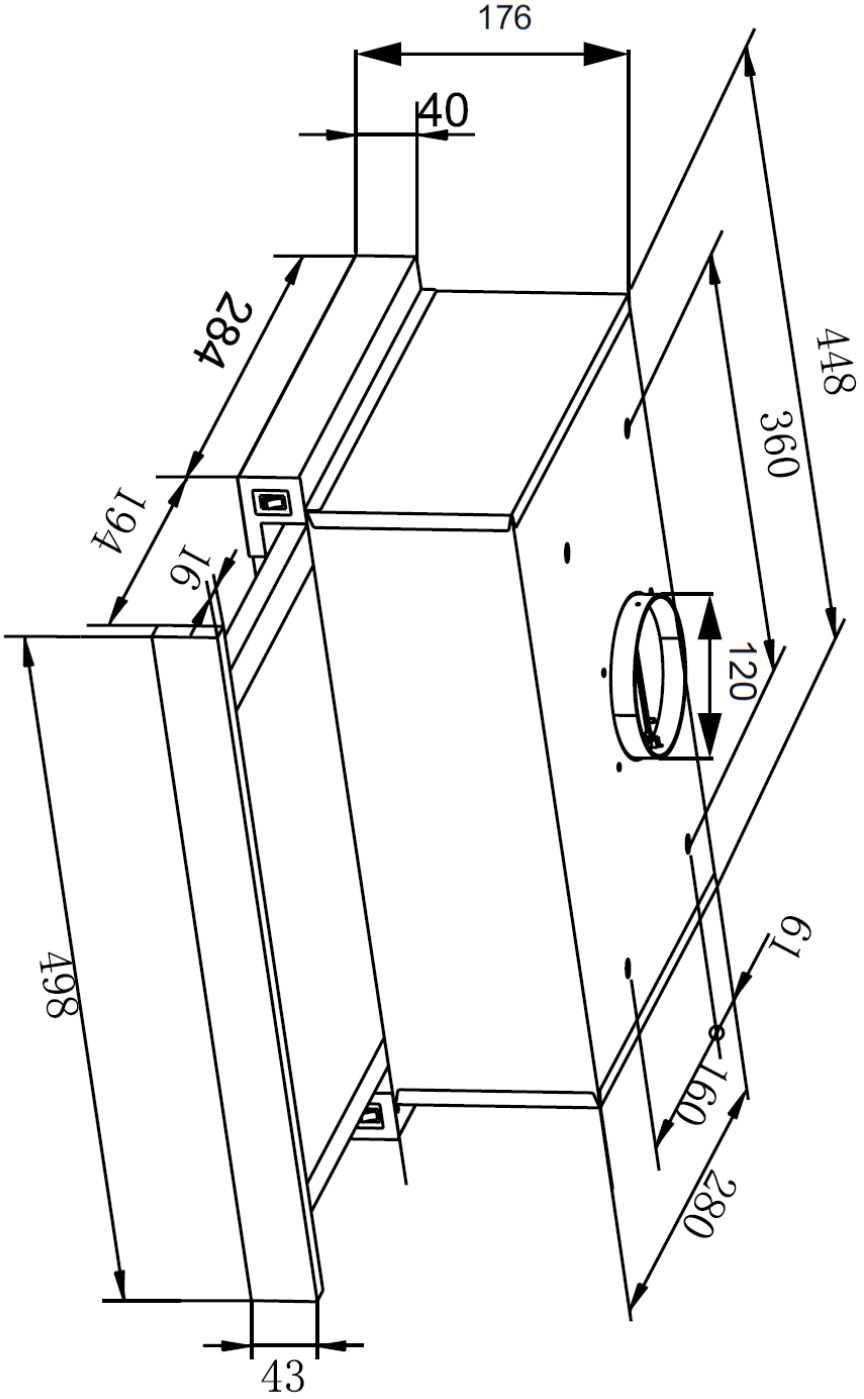
Nëpërmjet kësaj prodhuesi deklaron që ky produkt i plotëson kërkesat e direktivave evropiane të mëposhtme:

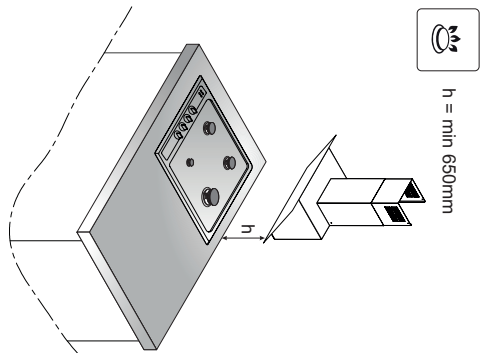
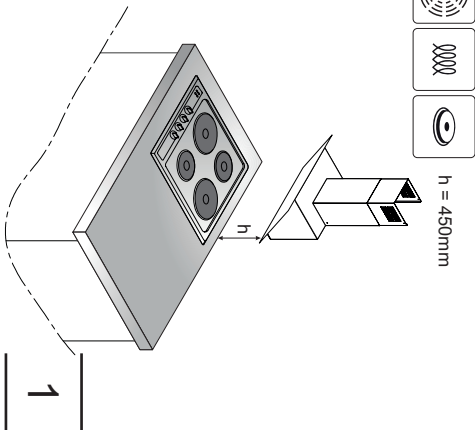
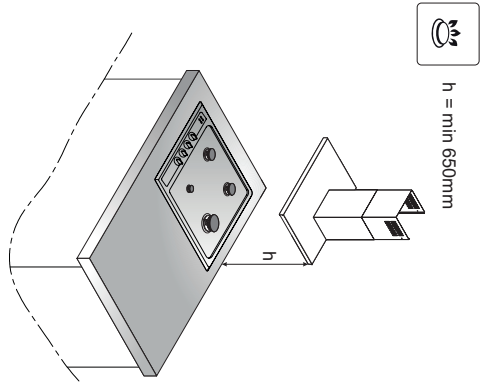
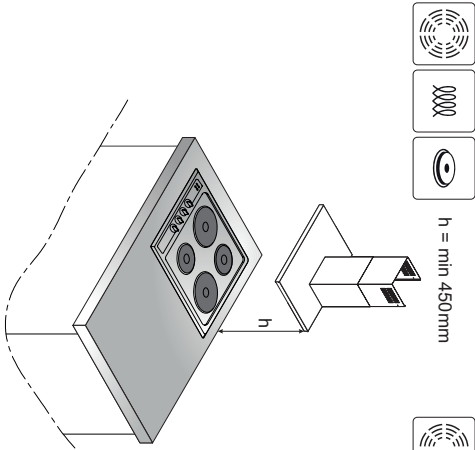
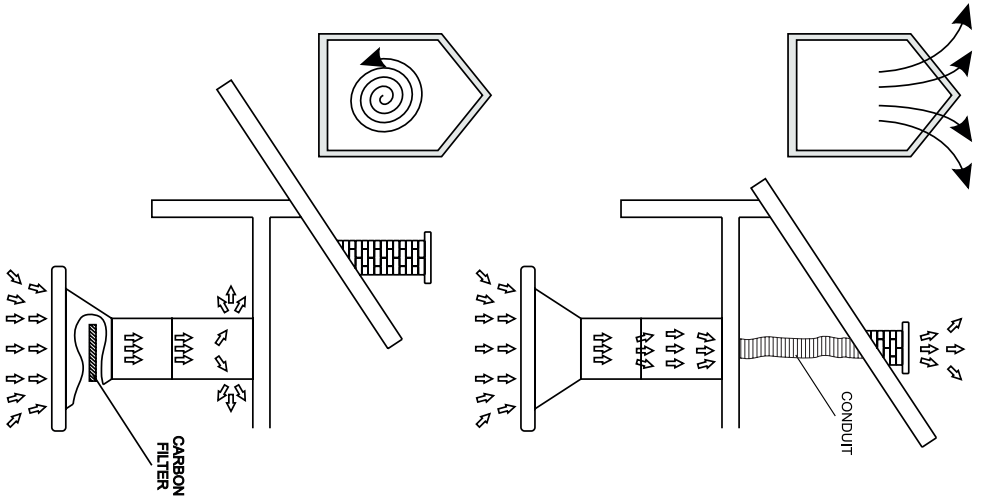
- Direktiva e Tensionit të Ulët 2014/35/EC
- Direktiva e Përputhshmërisë Elektromagnetike (EMC) 2014/30/EC
- Direktiva ErP 2009/125/EC
- Direktiva RoHS 2011/65/EC

dhe në këtë mënyrë është shënuar me simbolin  dhe është pajisur me deklaratë të përputhshmërisë të vënë në dispozicion të rregullatorëve të tregut.

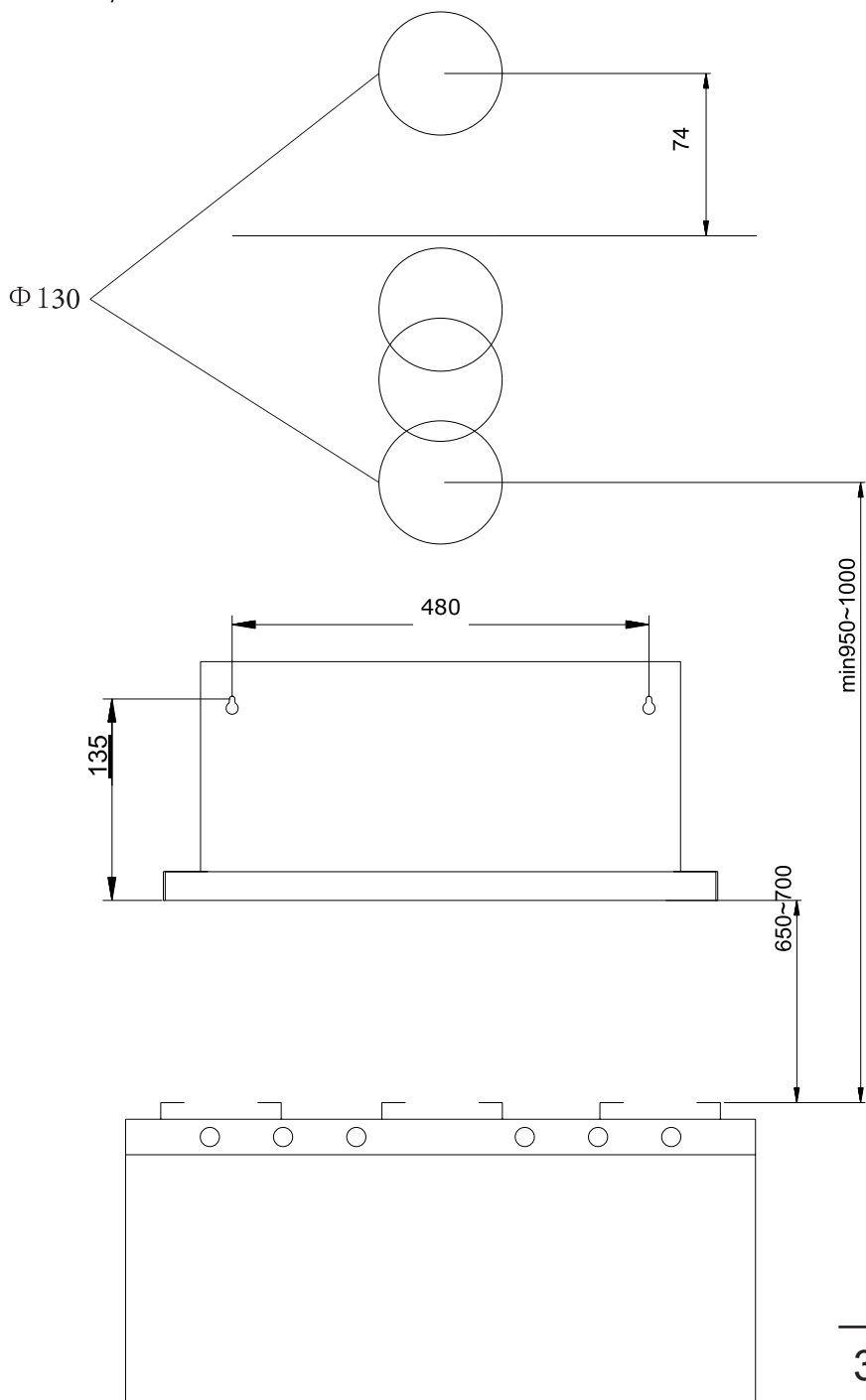


ОТП6233* / ОТП6243*

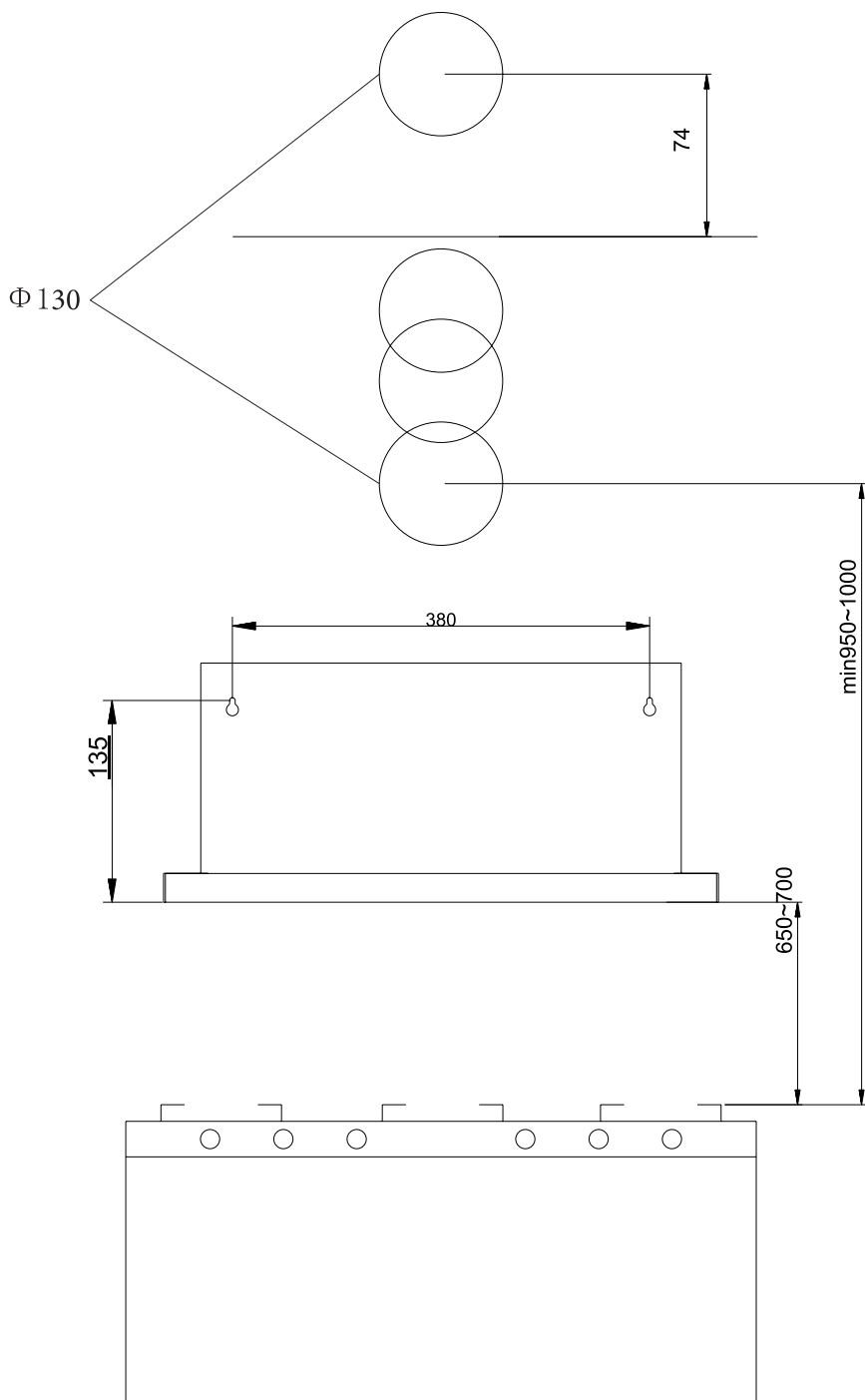


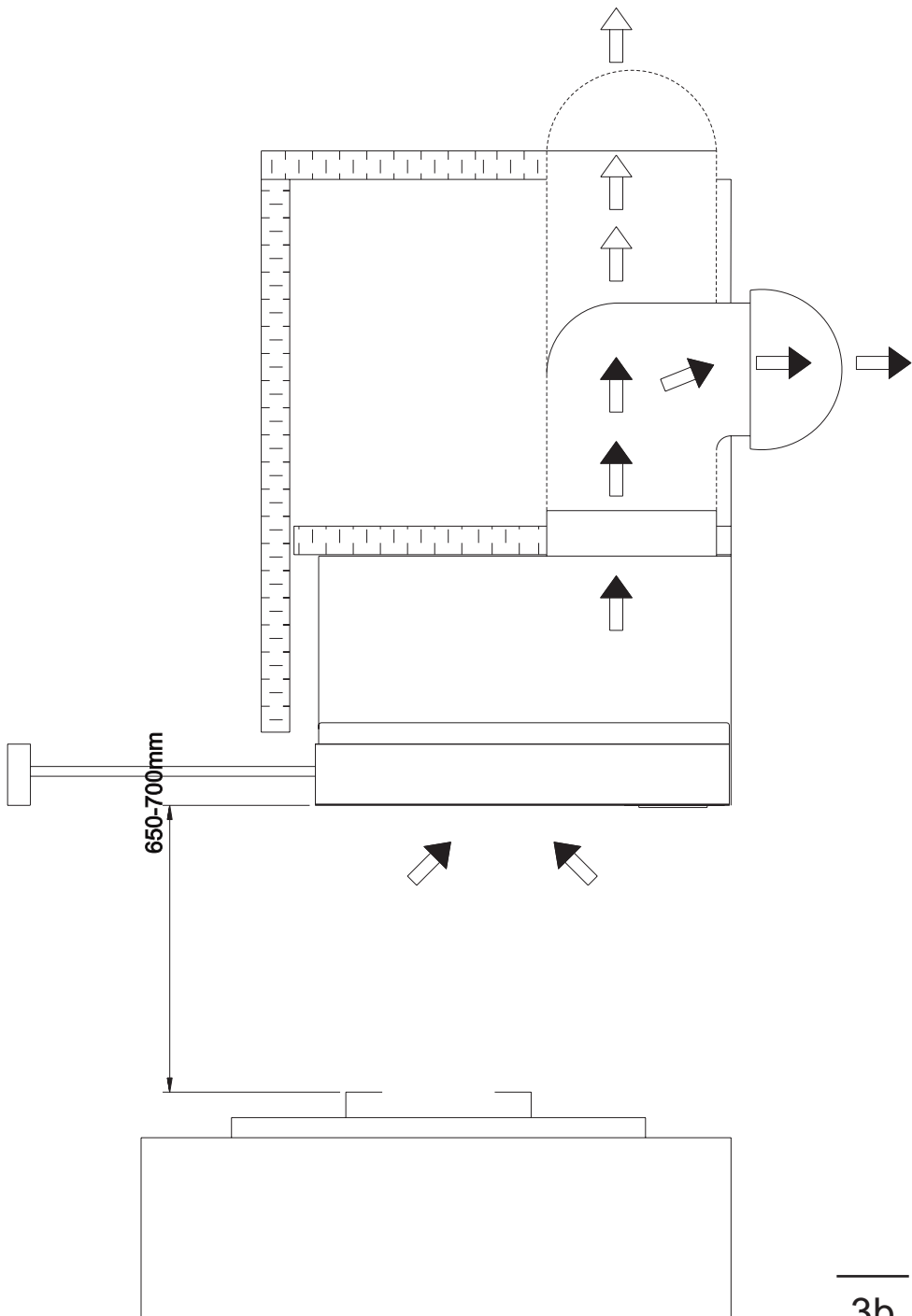


OTP6233* / OTP6243*

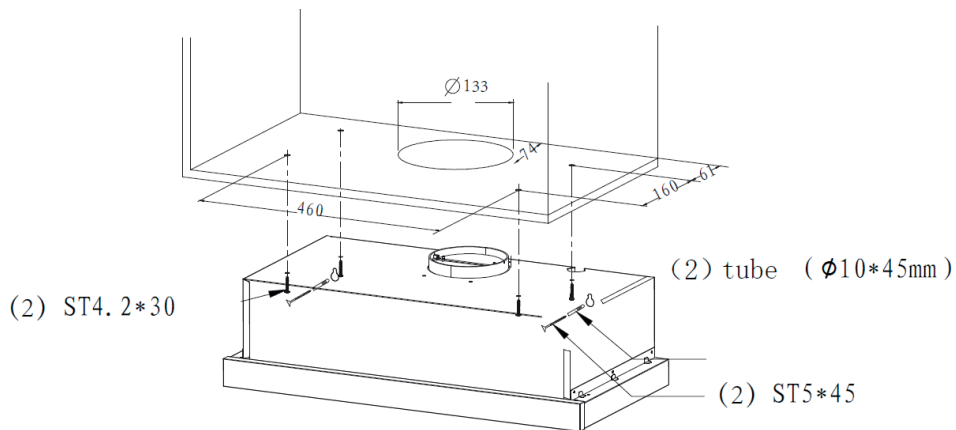


OTP5234*

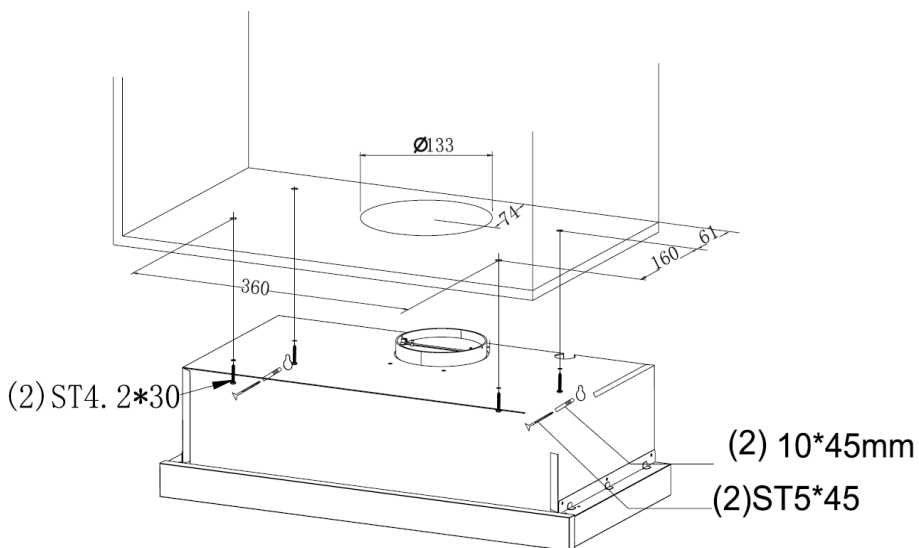




OTP6233* / OTP6243*

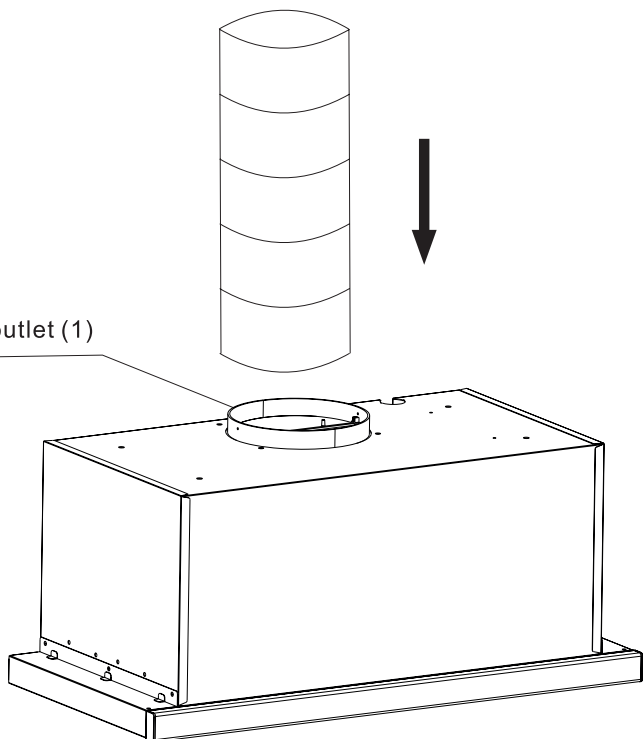


OTP5234*

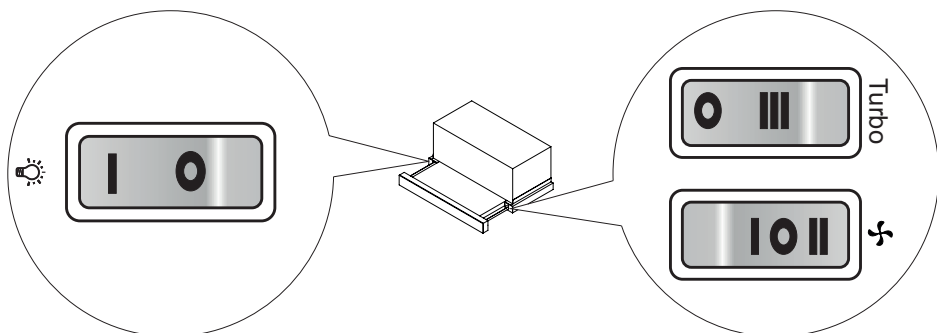


3c

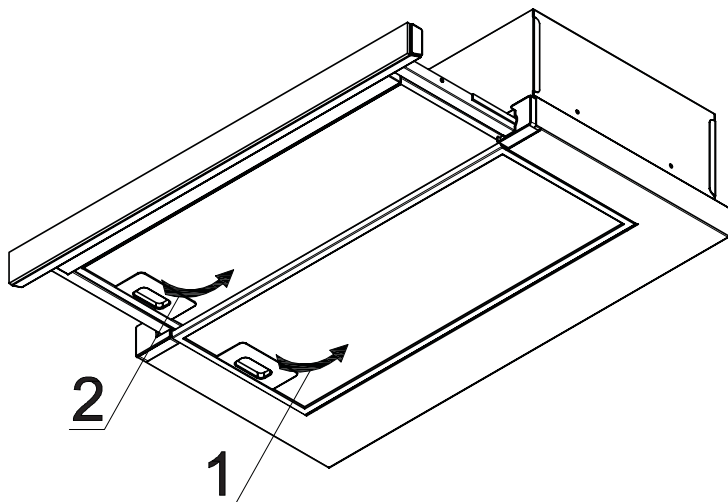
air outlet (1)



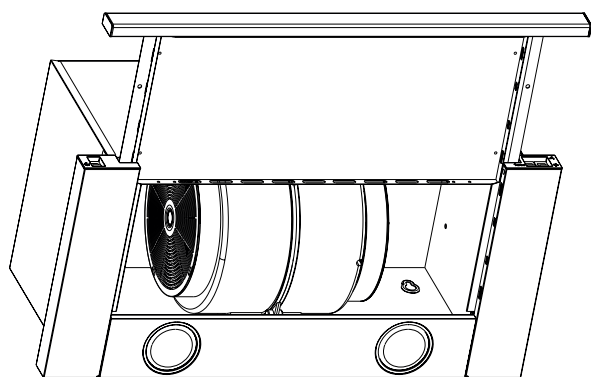
3d



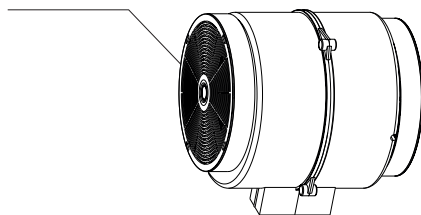
4



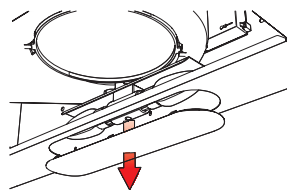
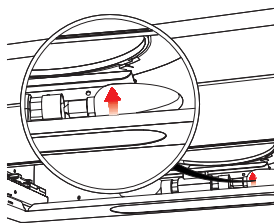
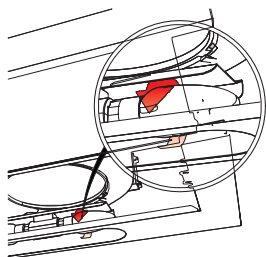
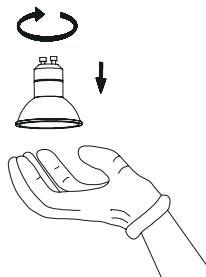
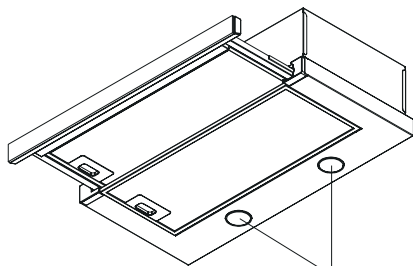
5



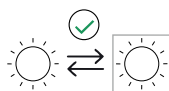
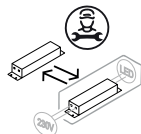
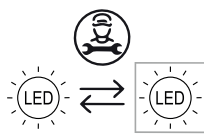
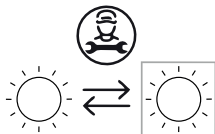
carbon filter



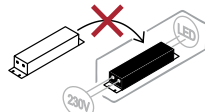
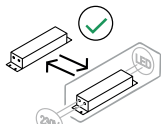
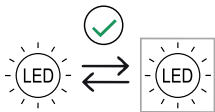
6



7



BG	Източник на светлина, сменяем от професионалист	BG	Източник на светлина (само LED), сменяем от професионалист	BG	Управляващо оборудване, сменяемо от професионалист	BG	Източник на светлина, сменяем от крайния потребител
CS	Světelný zdroj smí měnit pouze profesionál	CS	Světelný zdroj (pouze LED) smí měnit pouze profesionál	CS	Rídící jednotku smí měnit pouze profesionál	CS	Světelný zdroj smí měnit konečný uživatel
DE	Lichtquelle durch Fachmann austauschbar	DE	Lichtquelle (Nur LEDs) durch Fachmann austauschbar	DE	Betriebsgerät durch Fachmann austauschbar	DE	Lichtquelle durch Endverbraucher austauschbar
DK	Udskiftelig lyskilde af en professionel	DK	Udskiftelig (kun LED) lyskilde af en professionel	DK	Udskiftelig transformator af en professionel	DK	Udskiftelig lyskilde af en slutbruger
EN	Replaceable light source by a professional	EN	Replaceable (LED only) light source by a professional	EN	Replaceable control gear by a professional	EN	Replaceable light source by an end-user
ES	Fuente de luz reemplazable por un profesional	ES	Fuente de luz (solo LED) reemplazable por un profesional	ES	Mecanismo de control reemplazable por un profesional	ES	Fuente de luz reemplazable por el usuario final
ET	Valgusallikat võib vahetada ainult professionaal	ET	Valgusallikat (ainult LED) võib vahetada ainult professionaal	ET	Juhtseadist võib vahetada ainult professionaal	ET	Valgusallikat võib vahetada lõppkasutaja
FI	Vaihdettava valonlähde ammattilaisen toimesta	FI	Vaihdettava (vain LED) valonlähde ammattilaisen toimesta	FI	Vaihdettava muuntaja ammattilaisen toimesta	FI	Loppukäyttäjän vaihdettava valonlähde
FR	Source de lumière à changer par un professionnel	FR	Source de lumière (seulement LED) à changer par un professionnel	FR	Equipement de commande à changer par un professionnel	FR	Source de lumière à changer par l'utilisateur final
HR	Izvor svjetlosti zamjenjiv od strane profesionalca	HR	Izvor svjetlosti (samo LED) zamjenjiv od strane profesionalca	HR	Upravljačka oprema zamjenjiva od strane profesionalca	HR	Izvor svjetlosti zamjenjiv od strane korisnika
HU	A fényforrás kizárólag szakember által cserélhető ki	HU	A fényforrás (csak LED) kizárólag szakember által cserélhető ki	HU	A vezérlőegységet kizárólag szakember cserélheti ki	HU	A végfelhasználó által cserélhető fényforrás
LT	Šviesos šaltinis keistinas profesionalo	LT	Šviesos šaltinis (tik LED) keistinas profesionalo	LT	Valdymo įranga keistina profesionalo	LT	Šviesos šaltinis keistinas galutinio naudotojo
LV	Gaismas avotu drīkst nomainīt kvalificēta persona	LV	Gaismas avotu (tikai LED) drīkst nomainīt kvalificēta persona	LV	Vadības mehānismu drīkst nomainīt kvalificēta persona	LV	Gaismas avotu drīkst nomainīt galalietotājs
NL	Lichtbron te vervangen door een vakman	NL	Lichtbron (alleen led) te vervangen door een vakman	NL	Bedieningsuitrusting te vervangen door een vakman	NL	Lichtbron te vervangen door de eindgebruiker
NO	Utskiftbar lyskilde av en autorisert fagmann	NO	Utskiftbar (kun LED) lyskilde av en autorisert fagmann	NO	Utskiftbar transformator av en autorisert fagmann	NO	Utskiftbar lyskilde av forbruker
PL	Zródło światła wymienne przez profesjonalistę	PL	Zródło światła (tylko LED) wymienne przez profesjonalistę	PL	Osprzęt sterujący wymienny przez profesjonalistę	PL	Zródło światła wymienne przez użytkownika końcowego
PT	Fonte de luz substituível por um profissional	PT	Fonte de luz (apenas LED) substituível por um profissional	PT	Equipamento de controlo substituível por um profissional	PT	Fonte de luz substituível pelo usuário final
RO	Sursa de lumină înlocuibilă de către un profesionist	RO	Sursă de lumină înlocuibilă (doar LED) de către un profesionist	RO	Scule de control înlocuibile de către un profesionist	RO	Sursă de lumină înlocuibilă de către un utilizator final
SE	Utbytbar ljuskälla av en fackperson	SE	Utbytbar (endast LED) ljuskälla av en fackperson	SE	Utbytbar transformator av en fackperson	SE	Utbytbar ljuskälla av en slutanvändare
SK	Zdroj svetla vymeniteľný iba profesionálom	SK	Zdroj svetla (iba LED) vymeniteľný iba profesionálom	SK	Riadiaci modul vymeniteľný iba profesionálom	SK	Zdroj svetla vymeniteľný koncovým používateľom
SL	Svetlobni vir naj menja strokovnjak	SL	Svetlobni vir (samo LED) menja strokovnjak	SL	Krmilno napravo menja strokovnjak	SL	Svetlobni vir menja končni uporabnik



BG Източник на светлина (само LED), сменяем от крайния потребител	BG Управлящо оборудване, сменяемо от крайния потребител	BG Несменяем източник на светлина	BG Несменяемо управлящо оборудване
CS Světelný zdroj (pouze LED) smí měnit konečný uživatel	CS Řídicí jednotku smí měnit konečný uživatel	CS Nevyměnitelný zdroj světla	CS Nevyměnitelná řídicí jednotka
DE Lichtquelle (Nur LEDs) durch Endverbraucher austauschbar	DE Betriebsgerät durch Endverbraucher austauschbar	DE Lichtquelle nicht austauschbar	DE Betriebsgerät nicht austauschbar
DK Udkiftelig (kun LED) lyskilde af en slutbruger	DK Udkiftelig transformeer af en slutbruger	DK Ikke udkiftelig lyskilde	DK Ikke udkiftelig transformeer
EN Replaceable (LED only) light source by an end-user	EN Replaceable control gear by an end-user	EN Non-replaceable light source	EN Non-replaceable control gear
ES Fuente de luz (solo LED) reemplazable por el usuario final	ES Mecanismo de control reemplazable por el usuario final	ES Fuente de luz no reemplazable	ES Mecanismo de control no reemplazable
ET Valgusallikat (ainult LED) võib vahetada lõppkasutaja	ET Juhtseadet võib vahetada lõppkasutaja	ET Valgusallikas ei ole vahetatav	ET Juhtseade ei ole vahetatav
FI Loppukäyttäjän vaihdettava (vain LED) valonlähde	FI Loppukäyttäjän vaihdettava muuntaja	FI Ei vaihdettava valonlähde	FI Ei vaihdettava muuntaja
FR Source de lumière (seulement LED) à changer par l'utilisateur final	FR Equipement de commande à changer par l'utilisateur final	FR Source de lumière non échangeable	FR Equipement de commande non échangeable
HR Izvor svjetlosti (samo LED) zamjenjiv od strane korisnika	HR Upravljačka oprema korisnika	HR Izvor svjetlosti nezamjenjiv	HR Upravljačka oprema nezamjenjiva
HU A fényforrás (csak LED) a végfelhasználó által is cserélhető	HU A végfelhasználó által cserélhető vezérlőegység	HU A fényforrás nem cserélhető	HU Nem cserélhető vezérlőegység
LT Šviesos šaltinis (tik LED) keistinas galutinio naudotojo	LT Vadības mehānismu drīkst nomainīt galalietotājs	LT Nekeistinas šviesos šaltinis	LT Nekeistina vadīšanas mehānisms ir nomaināms
LV Gaismas avots (tikai LED) drīkst nomainīt galalietotājs	NL Bedieningsuitrusting te vervangen door de eindgebruiker	LV Gaismas avots ir nomaināms	NL Bedieningsuitrusting niet vervangbaar
NL Lichtbron (alleen led) te vervangen door de eindgebruiker	NO Utskiftbar transformeer av forbruker	NL Lichtbron niet vervangbaar	NO Ikke utskiftbar transformeer
NO Utskiftbar (kun LED) lyskilde av forbruker	PL Osprzęt sterujący wymienny przez użytkownika końcowego	NO Ikke utskiftbar lyskilde	PL Niewymienialny osprzęt sterujący
PL Źródło światła (tylko LED) wymienne przez użytkownika końcowego	PT Equipamento de controlo substituível pelo usuário final	PL Źródło światła niewymienialne	PT Equipamento de controlo insubstituível
PT Fonte de luz (apenas LED) substituível pelo usuário final	RO Scule de control înlocuibil de către un utilizator final	RO Fonte de luz insubstituível	RO Scule de control neînlocuibile
RO Sursă de lumină înlocuibilă (doar LED) de către un utilizator final	SE Utbytbar transformator av en slutanvändare	RO Sursă de lumină neînlocuibilă	SE EJ utbytbar transformator
SE Utbytbar (endast LED) ljuskälla av en slutanvändare	SK Riadiaci modul vymeniteľný koncovým používateľom	SE EJ utbytbar ljuskälla	SK Nevymeniteľný riadiaci modul
SK Zdroj svetla (iba LED) vymeniteľný iba koncovým používateľom	SL Krmilno naprave uporabnik	SE Utbytbar ljuskälla transformator	SL Krmilne naprave ni mogoče menjati
SL Svetlobni vir (samo LED) menja končni uporabnik		SK Nevymeniteľný zdroj svetla	
		SL Svetlobnega vira ni mogoče menjati	

Amica S.A.
ul . Mickiewicza 52 / 64-510 Wronki
tel. 67 25 46 100 / fax 67 25 40 320
www.amica.pl

Amica International GmbH
Lüdinghauser Str. 52
D-59387 Ascheberg
Tel: 0 25 93 - 95 67-0
www.amica-group.de