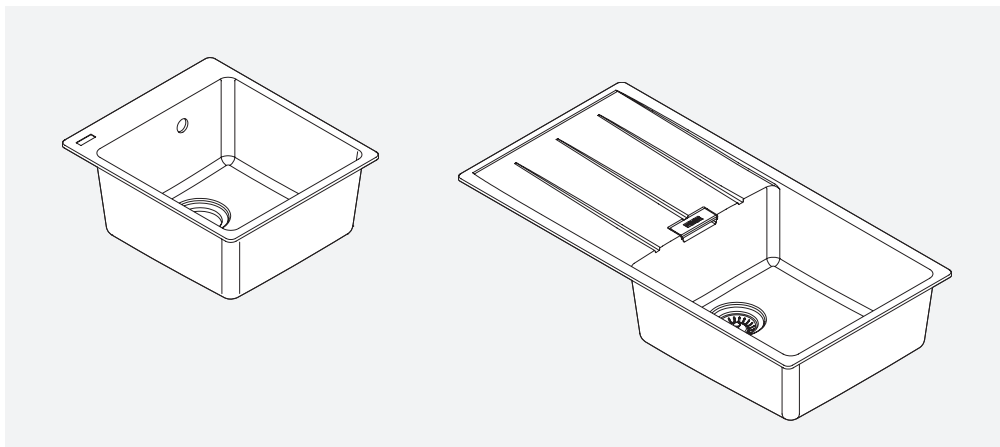


CENTRO

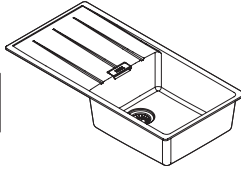
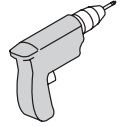
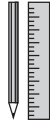
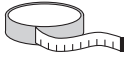


CNG 210-39, CNG 210-54, CNG 210-73, CNG 211-62, CNG 211-78, CNG 211-78 XL, CNG 211-86, CNG 211-100, CNG 211-62 (LHD), CNG 211-62 (RHD), CNG 211-78 (LHD), CNG 211-78 (RHD), CNG 610-39, CNG 610-54, CNG 610-73, CNG 611-62, CNG 611-78, CNG 611-78 XL, CNG 611-86, CNG 611-100, CNG 611-62 (LHD), CNG 611-62 (RHD), CNG 611-78 (LHD), CNG 611-78 (RHD)

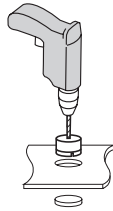
EN	Installation and user manual	Sinks, Fraganite
DE	Installations- und Gebrauchsanweisung	Spüle, Fraganit
FR	Manuel d'installation et mode d'emploi	Eviers, Fraganite
NL	Installatie- en gebruikershandleiding	Spoeltafels, Fraganite
IT	Manuale per l'installazione e l'uso	Lavelli, Fraganite
ES	Manual de instalación y servicio	Fregaderos, Fraganite
PT	Manual de instalação e de assistência	Lava-louças, Fraganite
EL	Εγκατάσταση και εγχειρίδιο συντήρησης	Νεροχύτες, Fraganite
DA	Installations- og servicevejledning	Vaske, Fraganit
NO	Installasjons- og servicemanual	Vasker, Fraganitt
SV	Installations- och servicehandbok	Tvättställ, Fraganite
CS	Montážní a servisní návod	Dřezy, materiál Fraganite
PL	Instrukcja montażu i obsługi	Zlewozmywak, Fraganit
SK	Návod na inštaláciu a obsluhu	Drezy, Fraganit
RO	Manual de instalare și service	Chiuvete, Fraganite
BG	Ръководство за монтаж и обслужване	Мивки, Fraganite
UK	Посібник зі встановлення та обслуговування	Мийки з Фраганіту
RU	Руководство по установке и обслуживанию	Мойки из Фраганита
TR	Kurulum ve servis kılavuzu	Evyeler, Fraganit
ZH	安装和维修手册	水槽, 弗兰卡花岗岩
AR	دليل الخدمة والتكيب	Fraganite أحواض

Make
it
Wonderful

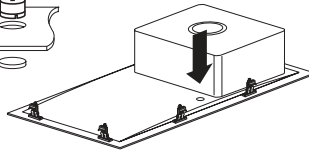
FRANKE



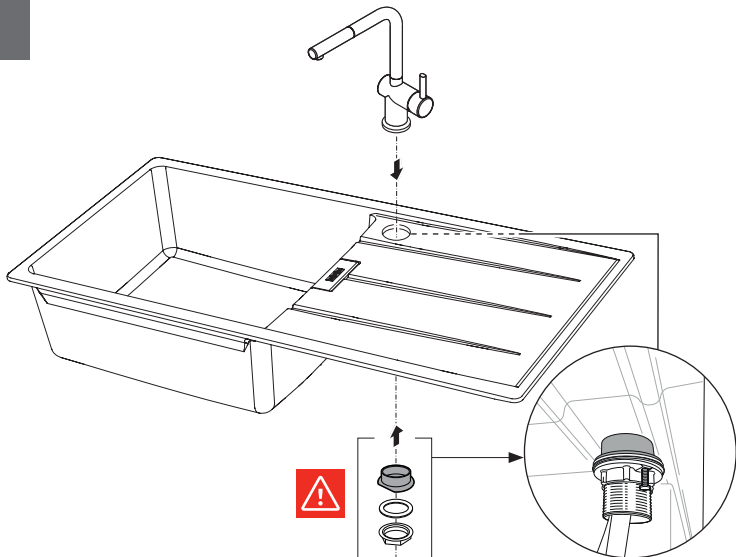
Inset



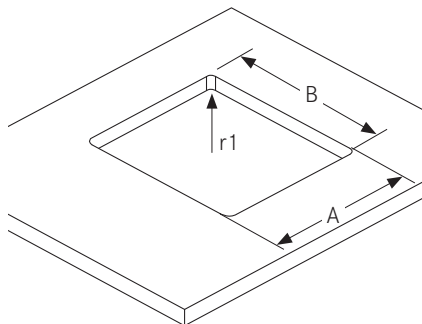
ø 35 mm



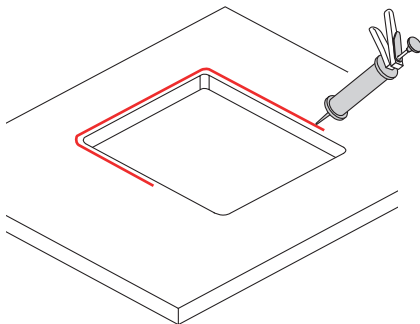
1



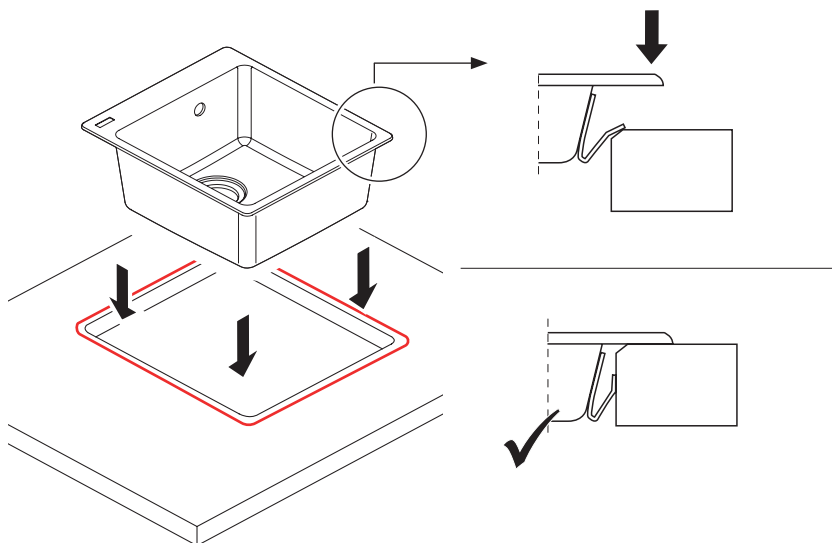
2



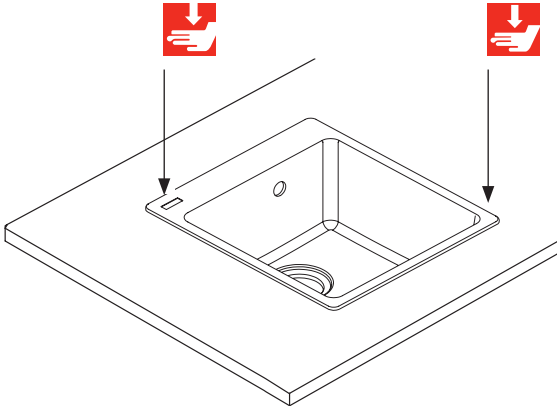
3



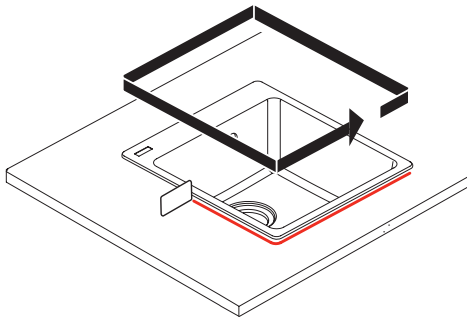
4



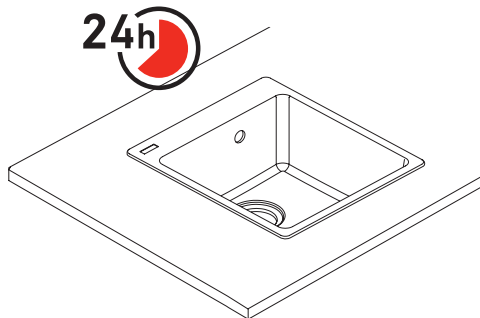
5



6

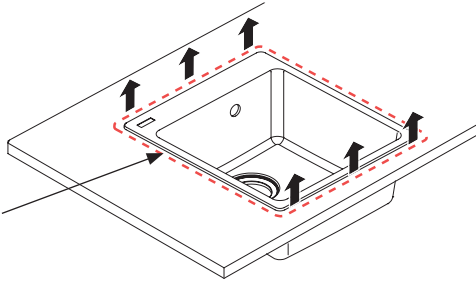


7

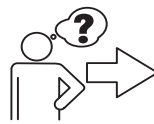
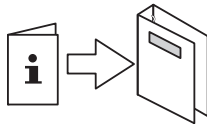
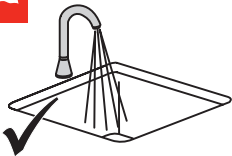
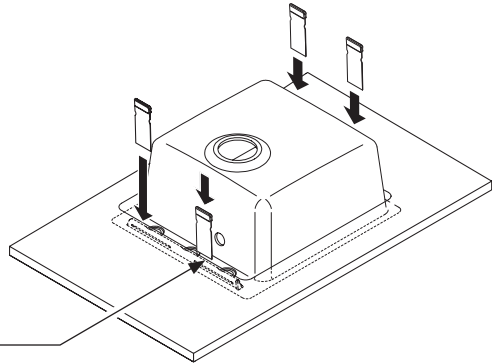
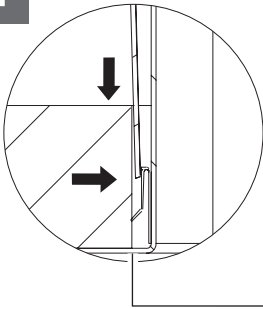




1



2

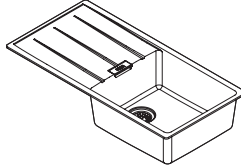
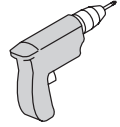
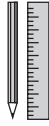
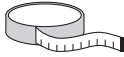


www.franke.com



Inset

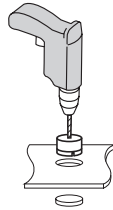
Model		A	B	r1	minimum cabinet
CNG 610-39		420±2	480±2	15	450
CNG 610-54		570±2	480±2	15	600
CNG 610-73		760±2	480±2	15	800
CNG 611-62		586±2	466±2	15	450
CNG 611-78		746±2	466±2	15	450
CNG 611-78 XL		746±2	466±2	15	600
CNG 611-86		826±2	466±2	15	500
CNG 611-100		966±2	466±2	15	600
CNG 611-62 (LHD)		600±2	480±2	15	450
CNG 611-62 (RHD)		600±2	480±2	15	450
CNG 611-78 (LHD)		760±2	480±2	15	500
CNG 611-78 (RHD)		760±2	480±2	15	500



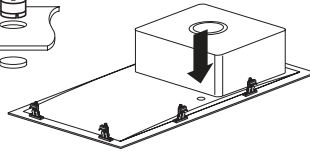
+



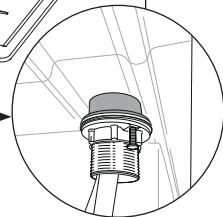
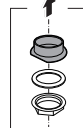
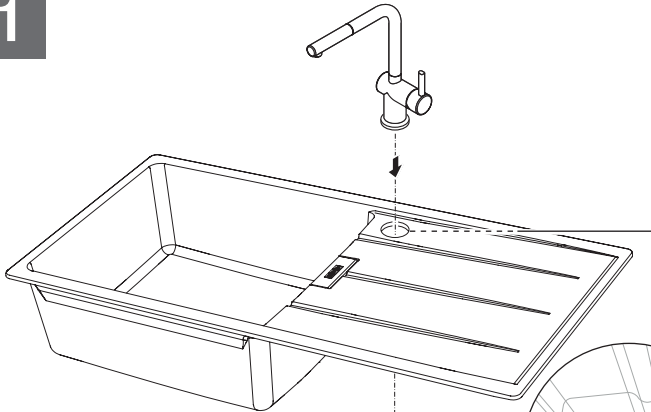
Flush mount



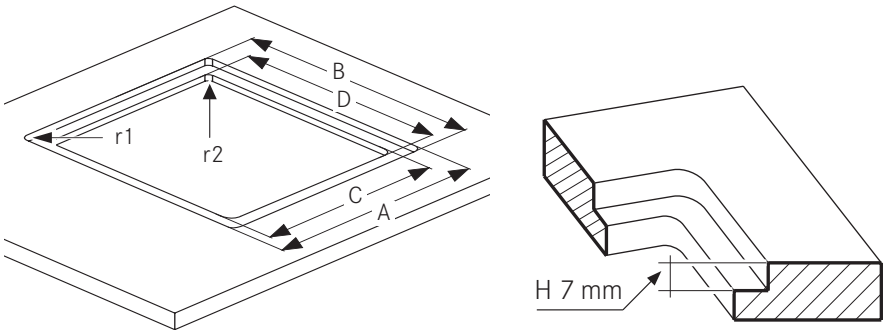
ø 35 mm



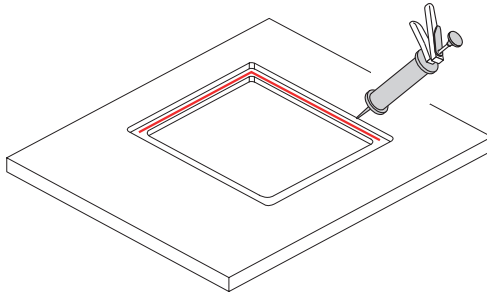
1



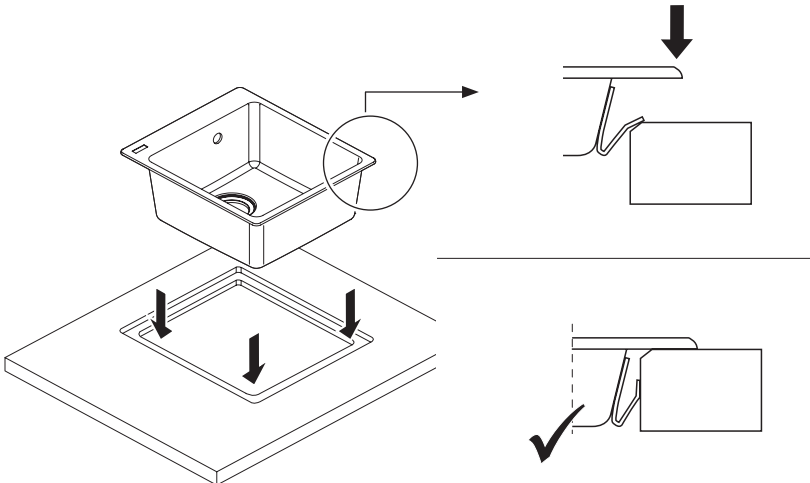
2



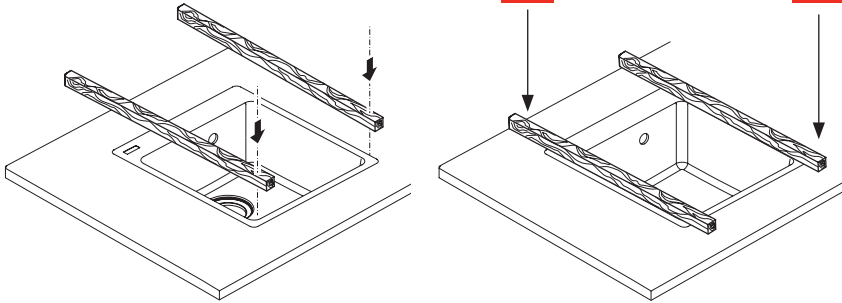
3



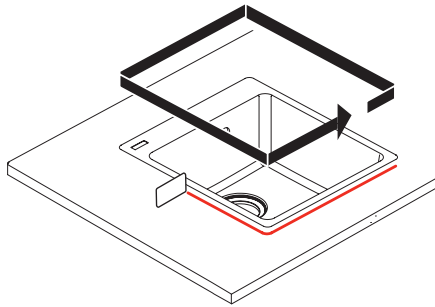
4



5

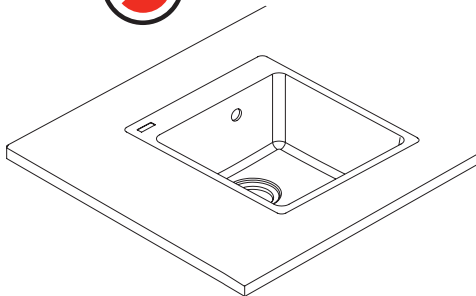


6



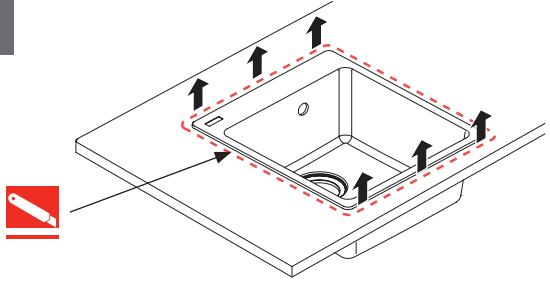
7

24h

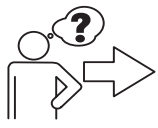
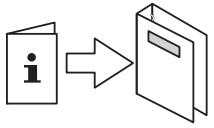
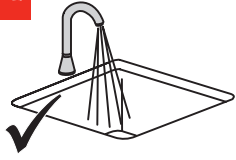
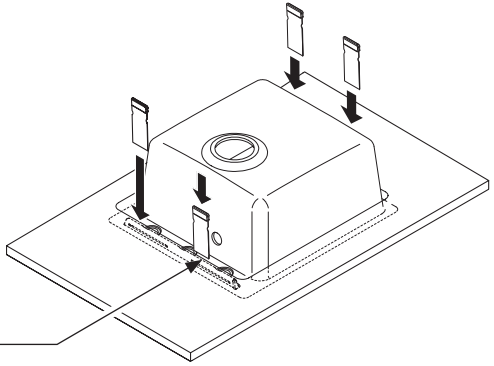
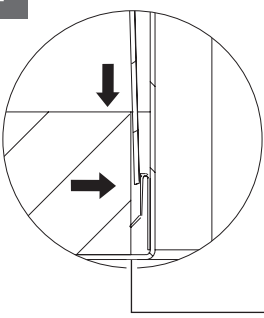




1



2



www.franke.com



Flush mount

Model		A	B	C	D	r1	r2	minimum cabinet
CNG 210-39		445	503	420±2	480±2	17	15	450
CNG 210-54		595	503	570±2	480±2	17	15	600
CNG 210-73		785	503	760±2	480±2	17	15	800
CNG 211-62		625	503	586±2	466±2	17	15	450
CNG 211-78		785	503	746±2	466±2	17	15	450
CNG 211-78 XL		785	503	746±2	466±2	17	15	600
CNG 211-86		865	503	826±2	466±2	17	15	500
CNG 211-100		1005	503	966±2	466±2	17	15	600
CNG 211-62 (LHD)		625	503	600±2	480±2	17	15	450
CNG 211-62 (RHD)		625	503	600±2	480±2	17	15	450
CNG 211-78 (LHD)		785	503	760±2	480±2	17	15	500
CNG 211-78 (RHD)		785	503	760±2	480±2	17	15	500

Argentina

Industrias Spar
San Luis S.A.
Buenos Aires 1008
Phone +54 11 4311 7655

Australia

Franke Aus. Pty. Ltd.
(PR Kitchen Systems)
Melbourne 3175
Phone +61 3 9700 9100

Belgium

Franke N.V.
9400 Ninove
Phone +32 54 310 111

Brazil

Franke Sistemas de
Cozinhas do Brasil Ltda.
89219-512 Joinville, SC
Phone +55 47 3431 0501

Canada

Franke Kindred
Canada Ltd.
Midland, ON L4R 4K9
Phone +1 866 687 7465

China

Franke (China) Kitchen
Systems Co., Ltd.
Heshan, Guangdong, 529700
Hotline 400 882 9898

Czech Republic

Franke s.r.o.
190 00 Praha 9
Phone +420 281 090 411

Denmark

Franke KS Denmark
8520 Lystrup
Phone +45 8624 9024

Egypt

Franke Kitchen Systems
Egypt S.A.E.
6th of October City
Hotline 16828

Finland

Franke Finland Oy
76850 Naarajärvi
Phone +358 15 341 11

France

Franke France S.A.S.
60230 Chambly
Phone +33 130 289 400

Germany

Franke GmbH
79713 Bad Säckingen
Phone +49 7761 52 0

Greece

Franke Hellas S.A.
19003 Markopoulo Attikis
(Athens)
Phone +30 22991 500 00

Hong Kong SAR

Franke Asia Hong Kong
Causeway Bay
Phone +852 3184 1900

India

Franke Faber India Pvt Ltd.
Aurangabad - 431 136
Phone 1800 209 3484

Italy

Franke S.p.A.
37019 Peschiera del Garda
Numero Verde 800 359 359

Kazakhstan

Franke Kazakhstan Ltd.
040918 Almaty City
Phone +7 727 297 3812

Morocco

Franke Kitchen System SARL
21 000 Casablanca
Phone +212 522 674 200

Norway

Franke KS Norway
8520 Lystrup, Denmark
Phone +47 35 566 450

Poland

Franke Polska Sp. z o.o.
05-090 Raszyn
Phone +48 22 711 6700

Portugal

Franke Portugal S.A.
2735-531 Cacém
Phone +351 21 426 9670

Romania

Franke Romania SRL
Pantelimon 077145
Phone +40 21 350 1550

Russia

Franke Russia GmbH
199106 St. Petersburg
Phone +7 812 703 1540

Slovak Republic

Franke Slovakia s.r.o.
010 01 Žilina
Phone +421 41 733 6200

South Africa

Franke South Africa
Durban 4052
Phone +27 31 450 6300

Spain

Franke España S.A.U.
08174 Sant Cugat del Vallès
Phone +34 93 565 3535

Sweden

Franke Futurum AB
930 47 Byske
Phone +46 912 405 00

Switzerland

Franke Küchentechnik AG
4663 Aarburg
Phone +41 800 583 243

Thailand

Franke (Thailand) Co., Ltd.
Bangkok 10110
Phone +66 2 013 7900

The Netherlands

Franke Nederland B.V.
5700 AD Helmond
Phone +31 492 585 111

Turkey

Franke Mutfak ve Banyo
Sistemleri Sanayi
ve Ticaret A.S.
41400 Gebze Kocaeli
Phone +90 262 644 6595

Ukraine

Franke Ukraina LLC
02081 Kyiv
Phone +38 044 492 0015

United Arab Emirates

Franke LLC
Ras Al Khaimah
Phone +971 7 203 4700

United Kingdom

Franke UK Ltd.
Manchester M22 5WB
Phone +44 161 436 6280

USA

Franke Kitchen Systems LLC
Smyrna, TN 37167
Phone 800 626 5771

