

- Prace montażowe i naprawcze muszą być zawsze wykonywane przez autoryzowanych serwisantów, aby uniknąć ryzyka.
- Producent nie ponosi odpowiedzialności za szkody mogące wyniknąć z procedur wykonywanych przez osoby nieupoważnione.
- Naprawy mogą być wykonywane wyłącznie przez techników. W razie potrzeby wymiany podzespołu należy stosować wyłącznie oryginalne części zamienne.
- Nieprawidłowo wykonane naprawy lub stosowanie nieoryginalnych części zamiennych może spowodować znaczne szkody, a także narazić użytkownika na duże ryzyko.
- Dane kontaktowe do serwisu klienta znajdują się na końcu dokumentu.
- Oryginalne części zamienne do poszczególnych funkcji zgodne z wymogami ekoprojektu można uzyskać w dziale serwisu klienta przez okres co najmniej 10 lat od daty wprowadzenia urządzenia na rynek Europejskiego Obszaru Gospodarczego.

Serwis klienta
PL: +48 22 243 70 00

Pn 7:00 - 17:00
Wt-Pt 9:00 - 17:00

kontakt@kernau.com

Jeśli program się nie uruchamia:

- Sprawdzić, czy wtyczka przewodu zasilającego jest włożona do gniazdka.
- Sprawdzić bezpieczniki.
- Sprawdzić, czy zawór doprowadzenia wody jest odkręcony.
- Sprawdzić, czy drzwi urządzenia zostały zamknięte.
- Sprawdzić, czy wyłączono urządzenie przyciskiem Wł./Wył.
- Sprawdzić, czy filtr na doprowadzeniu wody oraz filtry w urządzeniu nie są zatkane.

Jeśli w komorze na detergent zostają resztki detergentu:

Detergent został włożony do wilgotnej komory na detergent.

Jeśli po zakończeniu programu w urządzeniu pozostaje woda:

- Wąż odprowadzenia wody jest zatkany lub skręcony.
- Filtry są zatkane.
- Program się jeszcze nie zakończył.

Jeśli urządzenie przerywa pracę podczas trwania cyklu zmywania:

- Awaria zasilania.
- Awaria doprowadzenia wody.
- Program może być w trybie czuwania.

Jeśli podczas zmywania z urządzenia słuchać odgłosy uderzania lub stukania:

- Naczynia zostały włożone nieprawidłowo.
- Ramiona spryskujące uderzają o naczynia.

Jeśli na naczyniach pozostają fragmenty resztek jedzenia:

- Naczynia są nieprawidłowo włożone do urządzenia, w związku z czym nie dociera do nich woda.
- Kosze są przeładowane.
- Naczynia opierają się o siebie.
- Dodano bardzo niewiele detergentu.
- Wybrano nieodpowiedni, zbyt słaby program zmywania.
- Ramiona spryskujące są zatkane resztkami jedzenia.
- Filtry są zatkane.
- Nieprawidłowo zamontowano filtry.
- Zatkana pompa spustowa wody.

Jeśli na naczyniach pozostają białawe plamy:

- Użyto bardzo niewiele detergentu.
- Dozowanie środka nablyszczającego jest ustawione na bardzo niskim poziomie.
- Nie dodano specjalnej soli pomimo wysokiego poziomu twardości wody.
- System zmiękczacza wody jest ustawiony na bardzo niskim poziomie.
- Pokrywa komory na sól nie jest dobrze zamknięta.
- Użyto detergentu bez fosforany; spróbować użyć środka z fosforanem.

Naczynia nie schną:

- Wybrano program bez cyklu suszenia.
- Zbyt niskie ustawienie dozowania środka nablyszczającego
- Naczynia zostały zbyt szybko wyjęte z urządzenia.

Jeśli na naczyniach pozostają ślady rdzy:

- Jakość stali nierdzewnej, z której wykonano myte naczynia, jest niewystarczająca.
- Duża zawartość soli w wodzie do zmywania.
- Pokrywa komory na sól nie jest dobrze zamknięta.
- Zbyt dużo soli rozsypało się wewnątrz urządzenia podczas jej dodawania do komory.
- Nieprawidłowe uziemienie sieci elektrycznej.

Drzwi nie otwierają się/nie zamykają się prawidłowo:

- Na drzwiach zamocowano front o niewłaściwym ciężarze. (Przestrzegać zaleceń dotyczących ciężaru podanych w instrukcji montażu)
- Sprężyna drzwiowa nie jest wystarczająco napięta. Skorygować zgodnie z instrukcją montażu.

WEZWAĆ AUTORYZOWANY SERWIS, JEŚLI PO PRZEPROWADZENIU NINIEJSZYCH KONTROLI PROBLEM NIE ZNIKA LUB JEŚLI NIE ZOSTAŁ TUTAJ OPISANY.

ROZDZIAŁ 10. INFORMACJE PRAKTYCZNE I POŻYTECZNE

1. W razie przerwy w eksploatacji urządzenia:
 - Należy wyjąć wtyczkę przewodu zasilającego urządzenia z gniazdka oraz zamknąć zawór wody.
 - Należy pozostawić drzwi urządzenia lekko otwarte, aby nie dopuścić do tworzenia się nieprzyjemnego zapachu wewnątrz urządzenia.
 - Należy utrzymywać wnętrze urządzenia w czystości.
2. Usuwanie kropeł wody:
 - Myć naczynia w programie intensywnym.
 - Wyjąć wszystkie metalowe pojemniki z urządzenia.
 - Nie dodawać detergentu.
3. Jeśli naczynia są prawidłowo włożone do urządzenia, zapewni to uzyskanie optymalnego zużycia prądu, a także doskonałe wyniki mycia i suszenia.
4. Usunąć wszystkie większe zabrudzenia przed włożeniem brudnych naczyń do urządzenia.
5. Włączać urządzenie dopiero wtedy, kiedy jest całkowicie pełne.
6. Korzystać z programy mycia wstępnego jedynie w razie potrzeby.
7. Przestrzegać informacji o programach oraz tabeli o średnich wartościach poboru podczas wyboru programu.
8. Ponieważ urządzenie nagrzewa się do wysokiej temperatury, nie powinno być instalowane w pobliżu chłodziarki.
9. Jeśli urządzenie jest zainstalowane w miejscu, w którym istnieje ryzyko mrozu, należy dokładnie spuścić wszelką wodę, jaka pozostała wewnątrz urządzenia. Zamknąć zawór wody, odłączyć wąż doprowadzający wodę i spuścić całą wodę ze środka urządzenia.

USER MANUAL DISHWASHER KDI 4854 SD

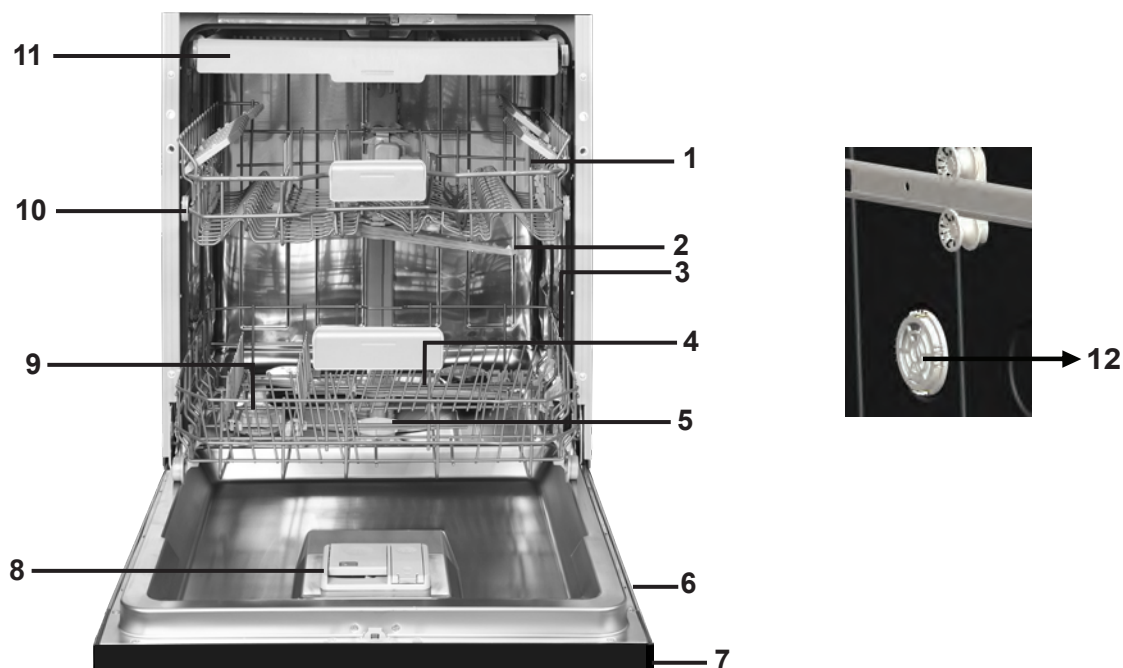


www.kernau.com

CONTENTS

CHAPTER 1. TECHNICAL SPECIFICATIONS	32
CHAPTER 2. SAFETY INSTRUCTIONS	33
GENERAL SAFETY WARNINGS	33
INSTALLATION WARNINGS	33
DURING USEGE	33
CHILDREN SAFETY	34
IN THE EVENT OF A FAULT	34
RECOMMENDATIONS	34
RECYCLING	35
PACKAGING AND THE ENVIRONMENT	35
DISPOSAL OF YOUR OLD MACHINE	35
UNSUITABLE ITEMS FOR DISHWASHING	35
CHAPTER 3. INSTALLATION	36
MACHINE POSITIONING	36
WATER CONNECTION	36
WATER INLET HOSE	36
DRAIN HOSE	37
ELECTRICAL CONNECTION	37
CHAPTER 4. BEFORE USING THE APPLIANCE	38
PREPARING YOUR DISHWASHER FOR FIRST USE	38
WATER DESCALING WEIGHT	38
FILL THE SALT (IF AVAILABLE)	38
TEST STRIP	39
WATER HARDNESS TABLE	39
WATER SOFTENER SETTING	39
DETERGENT USAGE	40
FILLING THE DETERGENT	40
COMBI DETERGENT	40
FILLING THE RINSE-AID AND SETTING	40
CHAPTER 5. LOADING YOUR DISHWASHER	42
ALTERNATIVE BASKET LOADS	43
INCORRECT LOADS	44
CHAPTER 6. PROGRAMME TABLE	45
CHAPTER 7. THE CONTROL PANEL	46
CHANGING A PROGRAMME	47
CANCELLING A PROGRAMME	47
CHAPTER 8. CLEANING AND MAINTENANCE	49
CHAPTER 9. TROUBLESHOOTING	51
CHAPTER 10. PRACTICAL INFORMATION	54

CHAPTER 1. TECHNICAL SPECIFICATIONS



- | | |
|----------------------------|--------------------------------------------------------------------------------------|
| 1. Upper basket with racks | 7. Control Panel |
| 2. Upper spray arm | 8. Detergent and rinse-aid dispenser |
| 3. Lower basket | 9. Salt dispenser |
| 4. Lower spray arm | 10. Upper basket track latch |
| 5. Filters | 11. Upper Cutlery Basket |
| 6. Rating plate | 12. Turbo Drying Unit: This system enhances the drying performance of your dishes. . |

Capacity	13 place settings
Height	870 mm - 820 mm
Width	598 mm
Depth	550 mm
Net weight	38 kg
Operating voltage / frequency	220-240 V, 50 Hz
Total power	1900 W
Heater power	1800 W
Pump power	100 W
Drain pump power	30 W
Water supply pressure	0,03 MPa (0,3 bar)-1 MPa (10 bar)
Total current	10 A

CE DECLARATION OF CONFORMITY

We declare that our products meet the applicable European Directives, Decisions and Regulations and the requirements listed in the standards referenced.

CHAPTER 2. SAFETY INSTRUCTIONS

GENERAL SAFETY WARNINGS

- Read these instructions carefully before using your appliance and keep this manual for future reference.
- Please check the packaging of your machine before installation and the outer surface of the machine once the packaging has been removed. Do not operate the machine if it appears damaged or if the packaging has been opened.
- Packaging materials protect your machine from any damage that might occur during transportation. The packaging materials are environmentally friendly as they are recyclable. Use of recycled material reduces raw material consumption and decreases waste production.
- This appliance can be used by children aged from 8 years and above, and by persons with reduced physical, sensory or mental capabilities or lack of experience and knowledge if they have been given supervision or instruction concerning the use of the appliance in a safe way and understand hazards involved. Children should not be allowed to play with the appliance.
- Remove packaging and keep it out of reach of children.
- Keep children away from detergents and rinse aids.
- There may be some residue left in the machine after washing. Keep children away from the machine when it is open.

INSTALLATION WARNINGS

- Choose a suitable and safe place to install your machine.
- Only original spare parts should be used with the machine.
- Unplug the machine before installation. Your machine must only be installed by an authorised service agent. Installation by anyone other than an authorised agent may cause your warranty to be void.
- Check that the indoor electrical fuse system is connected in line with safety regulations.
- All electrical connections must match the values on the plate.
- Ensure the machine does not stand on the electrical supply cable.
- Never use an extension cord or a multiple socket connection.
- The plug should be accessible after the machine is installed.
- After installation, run your machine unloaded for the first time.
- The machine must not be plugged in during positioning.
- Always use the coated plug supplied with your machine.
- If the electrical cable is damaged, it should only be replaced by a qualified electrician.

DURING USAGE

- This machine is for household use; do not use it for any other purpose. Commercial usage of the dishwasher will void the guarantee.
- Do not get up, sit or place a load on the open door of the dishwasher, it may fall over.
- Never put into the detergent and rinse aid dispensers of your machine anything other than those detergents and rinse aids which are produced specifically for dishwashers. Our company will not be responsible for any damage that might occur in your machine otherwise.
- The water in the machine's washing section is no drinking water do not drink it.
- Due to danger of explosion, do not put into the machine's washing section any chemical dissolving agents such as solvents.

- Check whether plastic items are heat-resistant before washing them in the machine.
- This appliance can be used by children aged from 8 years and above and persons with reduced physical, sensory or mental capabilities or lack of experience and knowledge if they have been given supervision or instruction concerning use of the appliance in a safe way and understand the hazards involved. Children shall not play with the appliance. Cleaning and user maintenance shall not be made by children without supervision.
- Do not put into your machine those items which are not suitable for dishwashing. Also, do not fill any basket above its capacity. Our company will not be responsible for any scratch or rust to form on the inner frame of your machine due to basket movements otherwise.
- Especially because hot water may flow out, the machine door should not be opened under any circumstances while the machine is in operation. In any case, a safety device ensures that the machine stops if the door is opened.
- Do not leave your dishwasher's door open. Failure to do so may lead to accidents.
- Place knives and other sharp-ended objects in the cutlery basket in blade-down position.
- If the supply cord is damaged, it must be replaced by the manufacturer, its service agent or similarly qualified persons in order to avoid a hazard.
- This appliance is not intended for use by persons (including -children) with reduced physical, sensory or mental capabilities, or lack of experience and knowledge, unless they have been given supervision or instruction concerning use of the appliance by a person responsible for their safety.
- If EnergySave option is selected as "Yes", The door will be opened at the end of the program. Do not force to close the door to avoid harm auto door mechanism during 1 minutes. The door must be open during 30 minutes to get effective drying. (in models with auto door opening system)

Warning: Do not stand in front of the door after the signal sounds belonging auto-open.

CHILDREN SAFETY

- After unpackaging the device remove the packaging material out of reach of children.
- Do not let children to play with the appliance or its starting.
- Keep the detergents and rinse aid out of reach of children.
- Do not let children to stay close to opened device, because inside the appliance can be detergents residues.
- Ensure that the old dishwasher do not hazard for children. It happened that children locked themselves inside old dishwashers. To avoid this situation, break the door lock and disconnect the electric cables.

IN THE EVENT OF A FAULT

- All equipment malfunctions should only be removed by qualified persons. Repairs carried out by persons other than authorized service personnel will void the warranty.
- Before starting repair, make sure that the device is disconnected from the power supply. Turn off the fuse or disconnect the device from the power supply. Do not disconnect the appliance from the power supply by pulling on the cable. Make sure that the water supply has been disconnected.

RECOMMENDATIONS

- To save energy and water, remove coarse dirt from the dishes before placing them in the machine. Start the device when it is full.

- Use the pre-wash program only when necessary.
- Place objects such as bowls, glasses and pots upside down in the appliance.
- We recommend that you do not put any other dishes in the dishwasher or more than specified.

RECYCLING

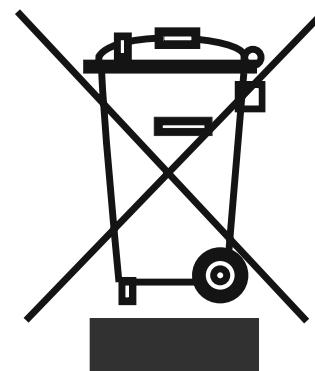
- Some machine components and packaging consist of recyclable materials.
- Plastics are marked with the international abbreviations: (>PE< , >PS< , >POM< , >PP< ,)
- The cardboard parts consist of recycled paper. They can be put into waste paper containers for recycling.
- Material unsuitable for domestic waste must be disposed of at recycling centres.
- Contact a relevant recycling centre to obtain information about disposal of different materials.

PACKAGING AND THE ENVIRONMENT

Packaging materials protect your machine from damage that may occur during transportation. The packaging materials are environmentally friendly as they are recyclable. The use of recycled material reduces raw material consumption and therefore decreases waste production.

DISPOSAL OF YOUR OLD MACHINE

The symbol on the product or on its packaging indicates that this product may not be treated as household waste. Instead, it shall be handed over to the applicable collection point for the recycling of electrical and electronic equipment. By ensuring this product is disposed of correctly, you will help prevent potential negative consequences for the environment and human health, which could otherwise be caused by inappropriate waste handling of this product. For more detailed information about recycling of this product, please contact your local city office, your household waste disposal service or the shop where the product was purchased.



WHEN YOU TAKE DELIVERY OF YOUR MACHINE

- Check for any damage to your machine or to its packaging. Never start a machine damaged in any way, make sure to contact an authorised service.
- Unwrap the packaging materials as indicated and dispose of them in accordance with the rules.

UNSUITABLE ITEMS FOR DISHWASHING

- Cigarette ashes, candle leftovers, polish, paint, chemical substances, iron-alloy materials.
- Forks, spoons and knives with wooden, bone, ivory or nacrecoated handles; glued items, items soiled with abrasive, acidic or base chemicals.
- Temperature-sensitive plastics, copper or tincoated containers.
- Aluminium and silver objects.
- Some delicate glasses, ornamental printed porcelains; some crystal items, adhered cutlery, lead crystal glasses, cutting boards, synthetic fibred items.
- Absorbent items such as sponges or kitchen rugs.

IMPORTANT:

Take care to buy dishwasher-proof sets in your future purchases.

CHAPTER 3. INSTALLATION

MACHINE POSITIONING

- When determining the place to put your machine on, take care to choose a place where you can easily load and unload your dishes.
- Do not put your machine in any location where there is the probability for the room temperature to fall below 0°C.
- Before positioning, take the machine out of its packaging by following the warnings located on the package.
- Position the machine close to a water tap or drain. You need to site your machine, taking into consideration that its connections will not be altered once they are made.
- Do not grip the machine by its door or panel in order to move it.
- Take care to leave a certain clearance from all sides of the machine so that you can comfortably move it back and forth during cleaning.
- Make sure that the water inlet and outlet hoses do not get squeezed while positioning the machine. Also, make sure that the machine does not stand on the electrical cable.
- Adjust the machine's adjustable feet so that it can stand level and balanced. Proper positioning of the machine ensures problem-free opening and closing of its door.
- If the door of you machine does not close properly, check if the machine is stable on the floor it stands; if not, adjust the adjustable feet and ensure its stable position.

WATER CONNECTION

Be sure that the indoor plumbing is suitable for installing a dishwasher. Also, we recommend that you fit a filter at the entrance of your place or apartment so as to avoid any damage to your machine because of any contamination (sand, clay, rust etc.) that might be occasionally carried in through the mains water supply or the indoor plumbing, and to forestall such complaints as yellowing and formation of deposits after washing.

WATER INLET HOSE

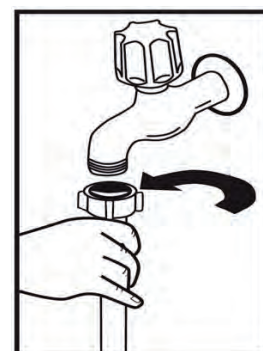
Do not use the water inlet hose of your old machine, if any. Use the new water inlet hose supplied with your machine instead. If you are going to connect a new or long - unused water inlet hose to your machine, run water through it for a while before making the connection. Connect the water inlet hose directly to the water inlet tap. The pressure supplied by the tap should be at a minimum of 0.03 Mpa and at a maximum of 1 Mpa. If the water pressure is above 1 Mpa, a pressure-relief valve should be fitted in between.

After the connections are made, the tap should be turned on fully and checked for water tightness. For the safety of your machine, make sure to always turn off the water inlet tap after each wash programme is finished.

NOTE: Aquastop water spout is used in some models. In case of using Aquastop, a dangerous tension exists. Do not cut Aquastop water spout. Do not let it get folded or twisted.

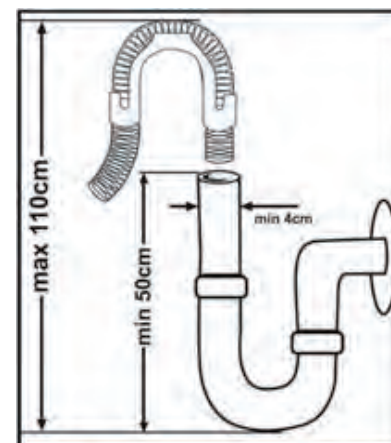
Note printing on the water inlet hose!

If models are marked with 25°, the water temperature may be max. 25 °C (cold water). For all other models: Cold water preferred; hot water max. temperature 60 °C.



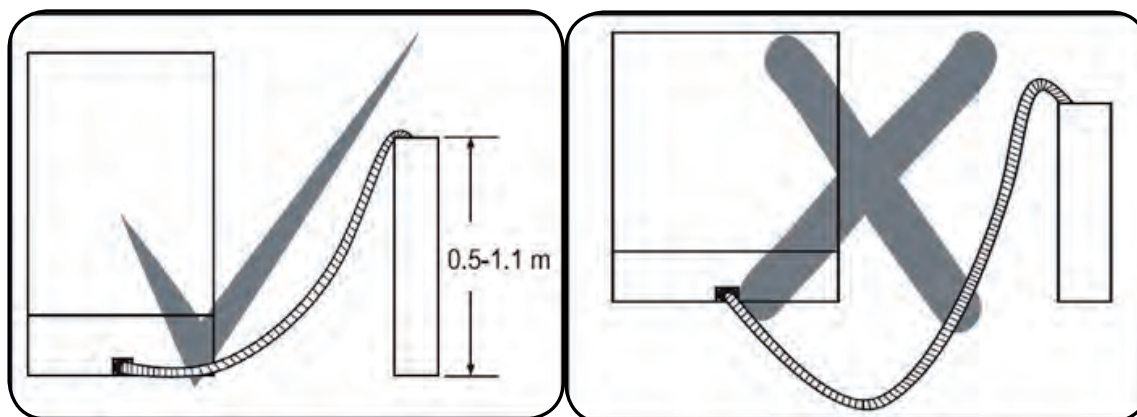
WATER OUTLET HOSE

The water drain hose can be connected either directly to the water drain hole or to the sink outlet spigot. Using a special bent pipe (if available), the water can be drained directly into the sink via hooking the bent pipe over the edge of the sink. This connection should be at a minimum of 50 cm and at a maximum of 110 cm from the floor plane.



IMPORTANT:

When a drain hose longer than 4 m is used, the dishes might remain dirty. In that case, our company will not accept responsibility.



ELECTRICAL CONNECTION

- The earthed plug of your machine should be connected to an earthed outlet supplied by suitable voltage and current. If there is no earthing installation, have a competent electrician carry out an earthing installation. In case of usage without earthing installed, our company will not be responsible for any loss of usage that might occur.
- The plug on this appliance may incorporate 10A fuse depending on the target country.
- Your machine is set according to 220-240 V. If the mains voltage in your location is 110 V, connect a transformer of 110/220 V and 3000 W inbetween. The machine should not be plugged in during positioning.
- Always use the coated plug supplied with your machine.
- Running in low voltage will cause a decline in washing quality.
- The machine's electrical cable should be replaced by an authorised service or an authorised electrician only. Failure to do so may lead to accidents.
- For safety purposes, always make sure to disconnect the plug when a wash programme is finished.
- In order not to cause an electric shock, do not unplug when your hands are wet.
- When disconnecting your machine from the mains supply, always pull from the plug. Never pull the cord itself.

CHAPTER 4. BEFORE USING THE APPLIANCE

PREPARING YOUR DISHWASHER FOR FIRST USE

- Make sure the electricity and supply water specifications match the values indicated in the installation instructions for the machine.
- Remove all packaging material inside the machine.
- Set the water softener level.
- Fill the rinse aid compartment.

WATER DESCALING WEIGHT

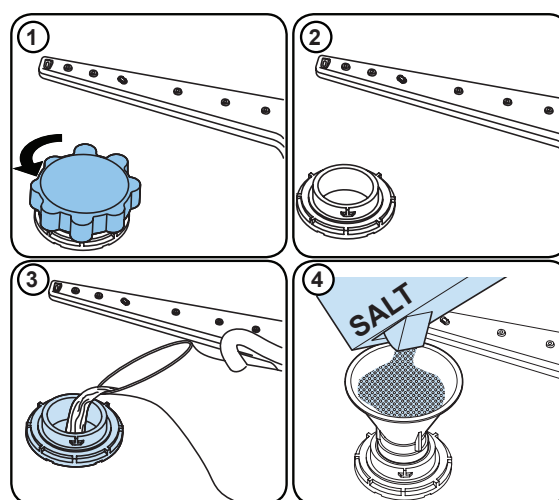
For a good washing function, the dishwasher needs soft, i.e. less calcareous water. Otherwise, White lime residues will remain on the dishes and the interior equipment. This will negatively affect your machine's washing, drying and shining performance. When water flows through the softener system, the ions forming the hardness are removed from the water and the water reaches the softness required to obtain the best washing result. Depending on the level of hardness of the inflowing water, these ions that harden the water accumulate rapidly inside the softener system. Therefore, the softener system has to be refreshed so that it operates with the same performance also during the next wash. For this purpose, dishwasher salt is used.

Machine can only be used by special dishwasher salt to soften the water.

Do not use any small grained or powdered type of salts which can easily soluble. Using any other type of salt can damage your machine.

FILL THE SALT (IF AVAILABLE)

To add softener salt, open the salt compartment cap by turning it counter clockwise. **(1)** **(2)** At first use, fill the compartment with 1 kg salt and water **(3)** until it is almost overflowing. If available, using a funnel **(4)** will make filling easier. Replace the cap and close it. After every 20-30 Cycles add salt into your mach until it fills up (approx. 1 kg).







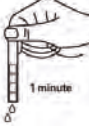
Fill the salt compartment with water the first time you fill the salt compartment only. Use softener salt specifically produced for use in dishwashers.

When you start your dishwasher, the salt compartment is filled with water, therefore put the softener salt in prior to starting your machine.

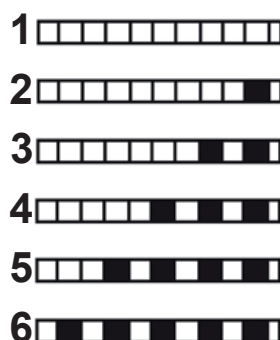
If the softener salt has overflowed and you do not start the machine immediately, run a short washing program to protect your machine against corrosion.

TEST STRIP

The washing efficiency of the device depends on the softness of the water supplied. In this case the device is equipped with system, which decreases the water hardness supplied from the water supply network. If this system is correctly setted, the washing efficiency will be higher. To get to know the water hardness level supplied to the house, please contact with the water supply company or determine the water hardness level with the test strip (if is available).

1. Open the test strip. 
2. Run water through the tap (1min.) 
3. Keep the strip in the water (1sec) 
4. Shake the strip. 
5. Wait (1min.) 
6. Set the hardness level of your machine.

NOTE: The level is set to 3 as default. If the water is well water or has a hardness level above 90 dF, we recommend that you use filter and refinement devices.



WATER HARDNESS TABLE

LEVEL	GERMAN DH	FRENCH DF	BRITISH DE	INDICATOR
1	0-5	0-9	0-6	The display will show "1" then "L".
2	6-11	10-20	7-14	The display will show "2" then "L".
3	12-17	21-30	15-21	The display will show "3" then "L",
4	18-22	31-40	22-28	The display will show "4" then "L".
5	23-31	41-55	29-39	The display will show "5" then "L".
6	32-50	56-90	40-63	The display will show "6" then "L".

WATER SOFTENER SETTING:

The dishwasher is equipped with a water softener which reduces the hardness in the mains water supply. To find out the hardness level of your tap water, contact your water company or use a test strip (if available).

- Open the door of the machine.
- Turn on the machine, and press the Programme button as soon as the machine is turned on.
- Hold down the Programme button until "SL" disappears.
- The machine will display the last setting.
- Set the level by pressing the Programme button.
- Turn off the machine to save the setting..

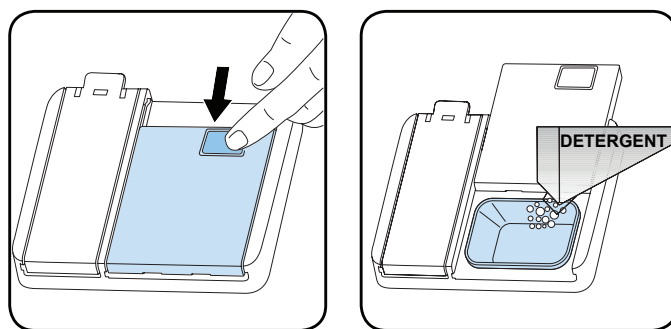
DETERGENT USAGE:

- Only use detergents specifically designed for domestic dishwashers. Keep your detergents in cool, dry places out of reach of children.
- Add the proper detergent for the selected program to ensure the best performance. The amount of detergent needed depends on the cycle, load size, and soil level of dishes.
- Do not fill detergent into the detergent compartment more than required; otherwise you can see whitish streaks or bluish layers on glass and dishes and may cause glass corrosion. Continued use of too much detergent may cause machine damage.
- Using little detergent can result in poor cleaning and you can see whitish streaks in hard water.
- See the detergent manufacturer's instructions for a further information.

FILLING THE DETERGENT

Push the latch to open the dispenser and pour in the detergent.

Close the lid and press it until it locks in place. The dispenser should be refilled just before the start of each programme. If the dishes are heavily soiled, place additional detergent in the pre-wash detergent chamber.



COMBI DETERGENT

- These products should be used according to the manufacturer's instructions.
- Never put combined detergents into the interior section or the cutlery basket.
- Combined detergents contain not only the detergent but also rinse-aid, salt replacement substances and additional components depending on the combination.
- We recommend you do not use combined detergents in short programmes. Please use powder detergents in such programmes.
- If you encounter problems when using combined detergents, please contact the detergent manufacturer.
- When you stop using combined detergents, make sure that water hardness and rinse aid settings are set to the correct level.

RINSE-AID USAGE

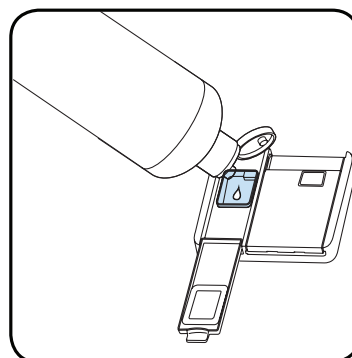
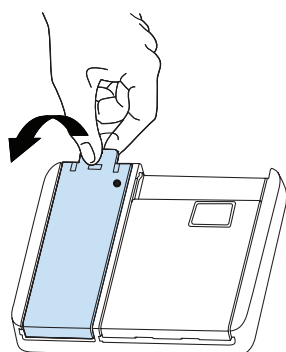
- The rinse aid helps to dry the dishes without streaks and stains. Rinse-aid is required for stain-free utensils and clear glasses. The rinse aid is automatically released during the hot rinse phase. If rinse aid dosage setting set too low, whitish stains remains on dishes and dishes do not dry and washed clean.
- If rinse aid dosage setting set too height, you can see bluish layers on glass and dishes.

FILLING THE RINSE-AID AND SETTING

- To fill the rinse aid compartment, open the rinse-aid compartment cap. Fill the compartment with rinse aid to the MAX level and close the cap. Be careful not to overfill the rinse aid compartment and wipe up any spills.

In order to change the rinse aid level, follow the below steps before turning on the machine:

- Push the programme button and hold it down.
- Turn on the machine.
- Hold down the programme button until “rA” disappears from the display. Rinse aid setting follows water hardness setting.
- The machine will display the last setting.
- Set the level by pushing the programme button.
- Switch off the machine to save the setting.
- The factory setting is “4”.
- If the dishes are not drying properly or are spotted, increase the level. If blue stains form on your dishes, decrease the level.



LEVEL	BRIGHTENER DOSE	INDICATOR
1	Rinse-aid not dispensed	R1 is shown on the display.
2	1 dose is dispensed	R2 is shown on the display.
3	2 dose is dispensed	R3 is shown on the display.
4	3 dose is dispensed	R4 is shown on the display.
5	4 dose is dispensed	R5 is shown on the display.

CHAPTER 5. LOADING YOUR DISHWASHER

For best results, follow these loading guidelines.

Loading the household dishwasher up to the capacity indicated by the manufacturer will contribute to energy and water savings.

Manual pre-rinsing of tableware items leads to increased water and energy consumption and is not recommended. You can place cups, glasses, stemware, small plates, bowls, etc. in upper basket. Do not lean long glasses against one another or they cannot remain steady and may receive damage. When placing long stem glasses and goblets, lean them against the basket edge or rack and not against other items.

Place all containers such as cups, glasses and pots into the dishwasher with the opening facing downwards otherwise water can collect on items.

If there is cutlery basket in machine, you are recommended to use the cutlery grid in order to obtain the best result. Place all large (pots, pans, lids, plates, bowls etc.) and very dirty items in the lower rack.

Dishes and cutlery should not be placed above each other.

WARNING:


Take care not to obstruct the rotation of spray arms.

WARNING:

Make sure after loading the dishes do not prevent opening the detergent dispenser.

RECOMMENDATIONS

Remove any coarse residue on dishes before placing the dishes in the machine. Start the machine with full load.

 Do not overload the drawers or place dishes in the wrong basket.

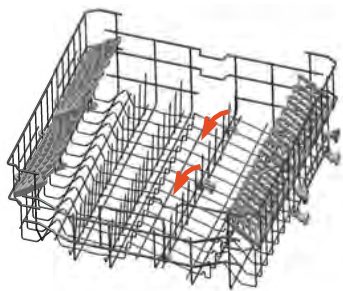
WARNING:

To avoid any possible injuries, place long-handle and sharp-pointed knives with their sharp points facing down or horizontally on the baskets.

Top basket

These racks are designed to increase the capacity of the top basket. You can place your glasses and cups on the racks. You can adjust the height of these racks. Thanks to this feature, you can place different sizes of glasses under these racks. Thanks to height adjustment plastics mounted on the basket, you can use your racks in 2 different heights. In addition, you can place long forks, knives and spoons on these racks laterally, so that they do not block the revolution of propeller.



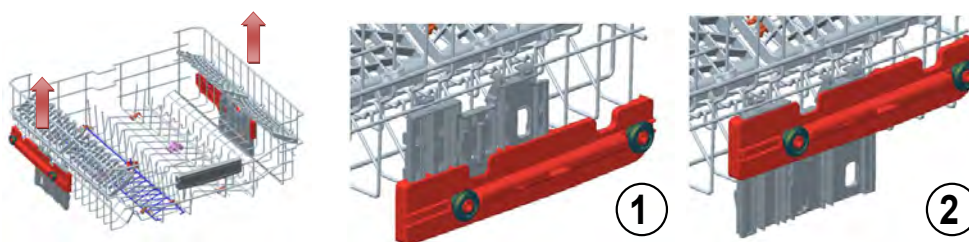


Foldable racks

Foldable racks on the upper basket are designed in order to let you place big items easier such as pots, pans, etc. If requested, each part can be folded separately, or all of them can be folded and larger spaces can be obtained. You can use foldable racks by raising them upwards, or by folding down.

Top basket height adjustment while it is full

Basket height adjustment mechanism on the top basket of your machine is designed to let you adjust the height of your top basket upwards or downwards, without removing it from your machine when it is full, and create large spaces at the top or bottom area of your machine as needed. Basket of your machine is set to upper position in factory settings. In order to raise your basket, hold it from both sides and pull it upwards. In loaded basket adjustment mechanism, make sure that both sides are in the same position (up or down).



Upper Cutlery Basket

The upper cutlery basket is designed for the placement of large and small cutlery and utensils.



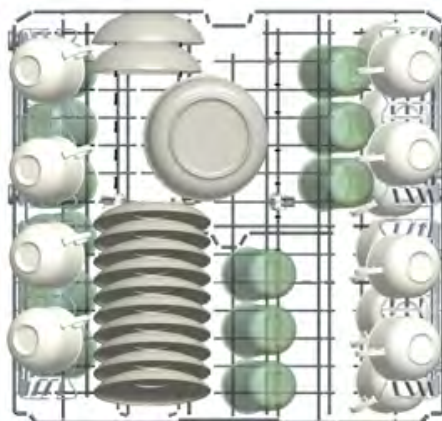
WARNING: Knives and other sharp objects must be placed horizontally in the cutlery basket.

ALTERNATIVE BASKET LOADS

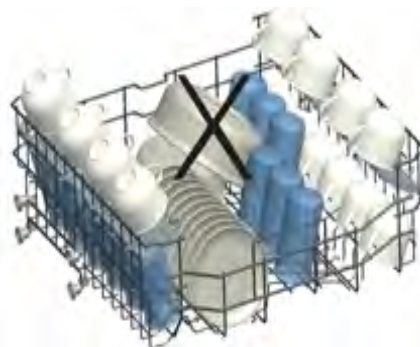
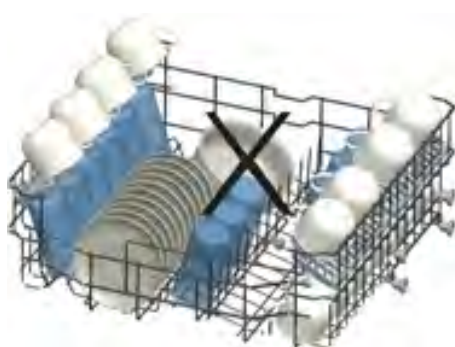
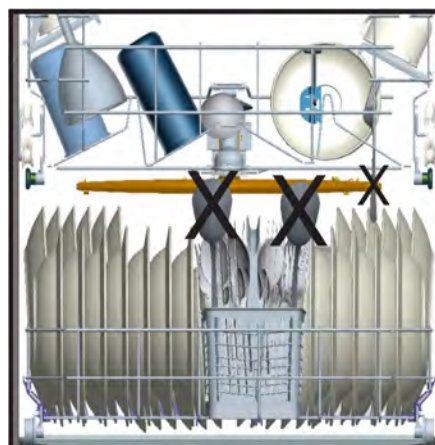
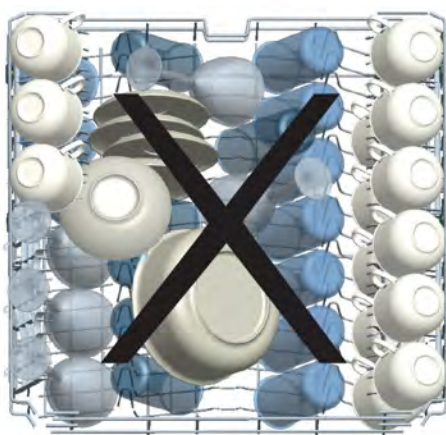
Lower basket



Top basket



INCORRECT LOADS



Incorrect Loads

Incorrect loading can cause poor washing and drying performance. Please follow the manufacturer's recommendations for a good performans result.

CHAPTER 6. PROGRAMME TABLE

PROGRAM	DESCRIPTION	LEVEL OF SOIL	DETERGENT AMOUNT A: 25 CM 3 B: 15 CM3	PROGRAM DURATION (MIN)	ELECTRICITY CONSUMPTION (kWh/cycle)	WATER CONSUMPTION l/cycle)
P1 Eco	Standard program for normally soiled daily using dishes with recuded energy and water consumptios.	Medium	A	222	0,937	9,0
P2 Intesive 65°C (model depending)	Suitable for heavily soiled dishes.	Heavy	A	122	1,600	14,9
P2 Auto (model depending)	Auto program for heavily soiled dishes.	Heavy	A	99-122	1,300-1,600	10,5-14,9
P3 Super 50'	Suitable for normlally soiled daily dishes with faster program.	Medium	A	50	1,000	9,5
P4 Easy Care 60°C	Suitable for normally soiled daily dishes.	Medium	A	94	1,320	14,4
P5 Clean+ 55°C	Suitable for normally soiled daily dishes.	Medium	A	109	1,150	17,7
P6 Delicate 40°C	Suitable for lighty soiled delicate dishes.	Light	A	74	0,800	13,9
P7 Quick 30'	Suitable for lighty soiled dishes and quick wash.	Light	A	30	0,670	10,9
P8 Prewash	Suitable to rinse dishes that you plan to wash later.	Light	-	15	0,020	4,2

- The program duration may change according to the amount of dishes, the water temperature, the ambient temperature and selected additional functions.
- Values given for programmes other than the eco programme are indicative only
- If your model has turbidity sensor, it has Auto program instead of Intensive program.
- Eco programme is suitable to clean normally soiled tableware, that for this use, it is the most efficient programme in terms of its combined energy and water consumption, and that it is used to assess compliance with the EU ecodesign legislation.
- Washing tableware in a household dishwasher usually consumes less energy and water in the use phase than hand dishwashing when the household dishwasher is used according to the manufacturer's instructions.
- Only use powder detergent for short programs.
- Short programs do not include drying.
- To assist drying, we recommend slightly opening the door after a cycle is complete.
- You can access the product database where the model information is stored by reading the QR code on the energy label.



NOTE: According to regulations 1016/2010 and 1059/2010, Eco program energy consumption values may differ. This table is in line with regulations 2019/2022 and 2017/2022.

Drain pump

Large food residues or foreign objects that will not be trapped in the filters can clog the dirty water pump. If this happens, the rinse water remains above the filter.

⚠ Warning: Cut hazard!

When cleaning the dirty water pump, be careful not to cut yourself with broken glass or sharp cutlery etc.
Procedure:

1. Always disconnect the device from the power supply first.
2. Remove the dish baskets.
3. Remove the filters.
4. Select water, use a sponge if necessary.
5. Check the emptied area and remove any foreign matter.
6. Install filters.
7. Insert the baskets.

CHAPTER 9. TROUBLESHOOTING

TROUBLE CODE	POSSIBLE FAULT	WHAT TO DO
FF	Water inlet failure	Make sure the water inlet tap is open and water is flowing.
		Separate the inlet hose from the tap and clean the filter of the hose.
		Contact for service if the error continues..
F5	Insufficient water	Contact for service.
F3	Continuous water input	Close the tap and contact for service.
F2	Inability to discharge water	Water discharge hose and filters may be clogged. Cancel the program. If the error continues, contact for service.
F8	Heater error	Contact for service.
F1	Overflow	Unplug the machine and close the tap. Contact for service.
FE	Faulty electronic card	Contact for service.
F7	Overheating error	Contact for service.
F9	Divisor position error	Contact for service.
F6	Faulty heater sensor	Contact for service.
HI	High voltage failure	Contact for service.
LO	Low voltage failure	Contact for service.

- The installation and repairing procedures should always be carried out by the Authorised Service Agent in order to avoid possible risks. The manufacturer shall not be held liable for damages that may arise from procedures carried out by unauthorised persons. Repairs may be carried out by technicians only. If a component has to be replaced, ensure that only original spare parts are used.
- Improper repairs or use of non-original spare parts may cause considerable damage and put the user at considerable risk.
- Contact information for your customer service can be found on the back of this document.
- Function-relevant genuine spare parts according to the corresponding Ecodesign order can be obtained from Customer Service for a period of at least 10 years from the date on which your appliance was placed on the market within the European Economic Area.

Customer service
 PL: +48 22 243 70 00
 Mon 7:00 - 17:00
 Tue-Fri 9:00 - 17:00
kontakt@kernau.com

If the programme does not start:

- Check, if the plug is connected to the power socket.
- Check, the fuse.
- Check, if the water inlet is open.
- Check, if the device's door is open.
- Check, if the device is turned of with the On/OFF button.
- Check, if the filter on the water inlet or device filter are not blocked.

If in the detergent chamber remain the detergent residue:

Check, if the detergent was placed into wet detergent chamber.

If after ending the selected program, water is accumulated in the device:

- Check, if the exhaust water hose is clogged or bended.
- Check, if the filters are blocked.
- Check, if the program is not finished.

If during the washing cycle can be sounded the clicking or knocking noises:

- Check, if the dishes were improperly placed.
- Check, if the spray arms are hitting the dishes.

If the device interrupting the operation during washing cycle:

- Check, if power breakdown.
- Check, if water supply malfunction.
- Check, if the programe can be in standby mode.

If the partial waster remains on the dishes:

- Check, if dishes placed incorrectly, sprayed water not reaching affected dishes.
- Check, if dishes leaning each another.
- Check, if not enough detergent used.
- Check, if wrong wash programme selected. Spray arms clogged with food waste.
- Check, if filter and water drain pump clogged or filter misplaced.

If whitish stains remain on dishes:

- Check, if not enough detergent used
- Check, if rinse and dosage and/or water softener set too low.
- Check, if high water hardness level
- Check, if salt compartment cap not closed properly.

If the dishes do not dry:

- Check, if drying option is not selected.
- Check, if rinse aid dosage set too low.

If rust stains form on the dishes:

- Check, if stainless-steel quality of the dishes is insufficient.
- Check, if high level of salt in wash water.
- Check, if salt compartment cap not closed properly.
- Check, if too much salt spilled in the Dishwasher while filling it with salt.
- Check, if a poor main grounding.

If the door does not open or close properly:

- Check, if on the door was mounted the furniture front with improper weight.
- Check, if the door spring is not tight enough.

CALL THE AUTHORIZED SERVICE, IF AFTER CONDUCTED ABOVE INDICATION THE PROBLEM WAS NOT SOLVED.

CHAPTER 10. PRACTICAL INFORMATION

1. When the machine isn't in operation:
 - Disconnect the plug and close the tap.
 - Leave the door slightly open to prevent odour formation.
2. Select the dry option to remove water droplets.
 - Wash dishes in intensive program.
 - Remove all metal containers from the device.
 - Do not add detergent
3. Place dishes in the machine properly to achieve the best energy consumption, washing and drying performance. Please see the programme and consumption table for more information.
4. Clean all rough waste before you place dirty dishes to the machine.
5. Turn on the device only when it is completely full.
6. Only use Prewash programme when necessary.
7. Observe the informations regarding programs and the table with average consumption values during program selection.
8. Do not place the machine near a refrigerator because it will reach high temperatures.
9. If the appliance is located in a place where the risk of freezing exists, you must completely drain the water that has remained in the machine. Turn off the water tap, disconnect the water inlet hose from the tap and allow the interior water to drain.

UŽIVATELSKÁ PŘÍRUČKA MYČKA KDI 4854 SD

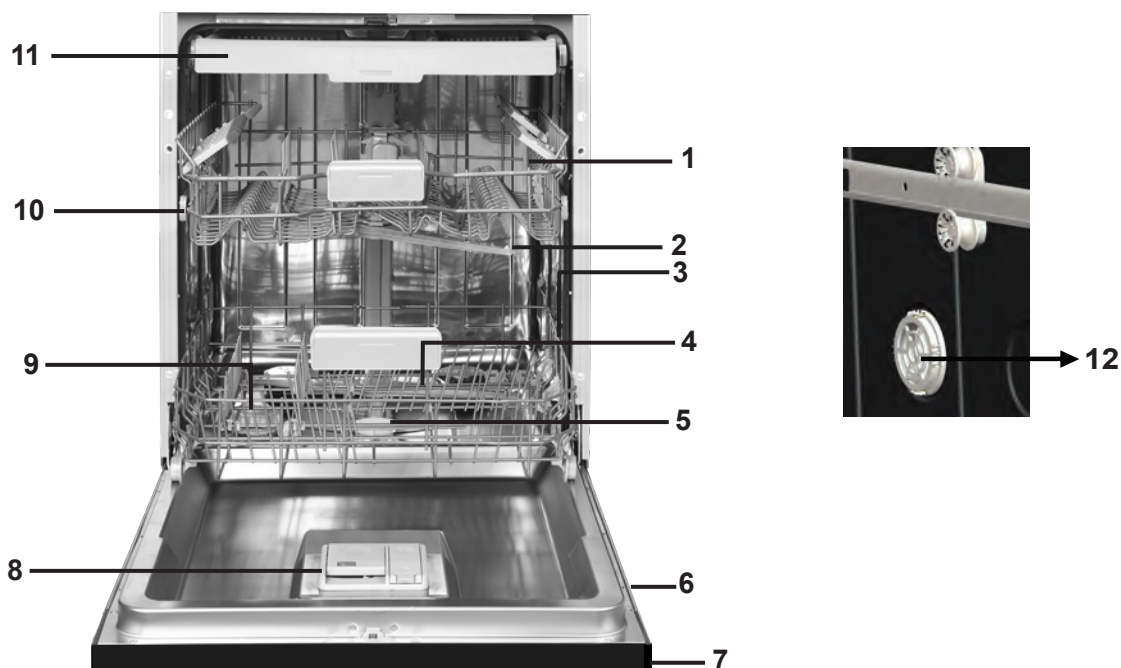


www.kernau.com

OBSAH

KAPITOLA 1. TECHNICKÉ ÚDAJE	58
KAPITOLA 2. BEZPEČNOSTNÍ POKYNY A DOPORUČENÍ	59
PO DORUČENÍ SPOTŘEBIČE	59
BODY, KTERÝM JE TŘEBA BĚHEM INSTALACE VĚNOVAT POZORNOST	59
PŘI KAŽDODENNÍM POUŽITÍ	59
Z DŮVODU BEZPEČNOSTI VAŠICH DĚTÍ	60
V PŘÍPADĚ PORUCHY	60
DOPORUČENÍ	60
RECYKLACE	60
PŘEDMĚTY, KTERÉ NEJSOU VHODNÉ K MYTÍ V MYČCE NÁDOBÍ	60
KAPITOLA 3. INSTALACE SPOTŘEBIČE	61
UMÍSTĚNÍ SPOTŘEBIČE	61
PŘIPOJENÍ VODY	61
HADICE PRO PŘÍVOD VODY	61
VYPOUŠTĚCÍ HADICE	62
PŘIPOJENÍ K ELEKTRICKÉ SÍTI	62
KAPITOLA 4. PŘÍPRAVA SPOTŘEBIČE K POUŽITÍ	63
PŘED PRVNÍM POUŽITÍM SI PŘEČTĚTE NÁVOD K POUŽITÍ	63
VÝZNAM ODSTRANĚNÍ VODNÍHO KAMENE Z VODY	63
PLNĚNÍ ZÁSOBNÍKU NA SŮL	63
NASTAVENÍ SPOTŘEBY SOLI	63
TESTOVACÍ PROUŽEK	64
NASTAVENÍ TVRDOSTI VODY	64
POUŽITÍ DETERGENTU	65
PLNĚNÍ DÁVKOVAČE PRACÍHO PROSTŘEDKU	65
KOMBINOVANÝ PRACÍ PROSTŘEDEK	65
PLNĚNÍ OPLACHOVACÍM PROSTŘEDKEM A NASTAVENÍM	66
KAPITOLA 5. PLNĚNÍ MYČKY NÁDOBÍ	68
ALTERNATIVNÍ PLNĚNÍ KOŠE	69
VADNÉ ZATÍŽENÍ	70
KAPITOLA 6. TABULKA PROGRAMŮ	71
KAPITOLA 7. OVLÁDACÍ PANEL	72
ZMĚNA PROGRAMU	73
ZRUŠENÍ PROGRAMU	73
KAPITOLA 8. ÚDRŽBA A ČIŠTĚNÍ	75
KAPITOLA 9. CHYBOVÉ KÓDY A ŘEŠENÍ PROBLÉMŮ	77
KAPITOLA 10. PRAKTICKÉ A UŽITEČNÉ INFORMACE	80

KAPITOLA 1. TECHNICKÉ ÚDAJE



- | | |
|-----------------------------|----------------------------------------------------------------------|
| 1. Horní koš s rošty | 8. Přihrádka na čisticí prostředek a leštadlo |
| 2. Horní rameno s tryskami | 9. Přihrádka na sůl |
| 3. Spodní košík | 10. Košík na nože |
| 4. Spodní rameno s tryskami | 11. Západka horního košíku |
| 5. Filtry | 12. Aktivní sušící jednotka: Tento systém nabízí lepší sušící výkon. |
| 6. Typový štítek | |
| 7. Ovládací panel | |

Kapacita	13 sad nádobí
Výška	870 mm - 820 mm
Šířka	598 mm
Hloubka	550 mm
Čistá hmotnost	38 kg
Napájení	220-240 V, 50 Hz
Celkový výkon	1900 W
Topný výkon	1800 W
Výkon čerpadla	100 W
Čerpací výkon čerpadla	30 W
Tlak vody	0,03 MPa (0,3 bar)-1 MPa (10 bar)
Napětí	10 A

PROHLÁŠENÍ O SHODĚ A ÚDAJE O TESTECH

Označení CE upozorňuje na to, že tento výrobek vyhovuje všem příslušným směrnicím EU a splňuje požadované standardy. Elektronickou kopii tohoto návodu k obsluze naleznete na webových stránkách výrobce.

KAPITOLA 2. BEZPEČNOSTNÍ POKYNY A DOPORUČENÍ

PO DORUČENÍ SPOTŘEBIČE

- Pokud uvidíte jakékoli poškození obalu spotřebiče, kontaktujte prosím prodejce nebo zákaznický servis.
- Rozbalte obalový materiál podle pokynů a zlikvidujte jej v souladu s platnými předpisy.

BODY, KTERÝM JE TŘEBA BĚHEM INSTALACE VĚNOVAT POZORNOST

- Pro instalaci spotřebiče vyberte vhodný a pevný povrch.
- Proveďte instalaci a zapojení spotřebiče v souladu s pokyny.
- Instalaci a případné opravy spotřebiče smí provádět pouze autorizované servisní středisko.
- Používejte pouze originální náhradní díly.
- Před instalací se ujistěte, že je spotřebič odpojený od elektrické sítě.
- Zkontrolujte, zda je elektrický systém v domácnosti zapojen v souladu s platnými předpisy.
- Parametry elektrické sítě, ke které je spotřebič připojen, musí odpovídat údajům uvedeným na výrobním štítku spotřebiče.
- Zkontrolujte, zda spotřebič není umístěn na napájecím kabelu.
- Nikdy nepoužívejte prodlužovací kabel ani rozdvojku. Zástrčka musí zůstat po instalaci snadno dostupná.
- Po instalaci spotřebič spusťte bez nádobí.

PŘI KAŽDODENNÍM POUŽITÍ

- Tento spotřebič slouží k použití v domácnosti; nepoužívejte jej k žádným jiným účelům. Komerční použití myčky nádobí má za následek ztrátu záruky.
- Nesedejte si na otevřená dvířka a nepokládejte na ně žádné předměty,
- Používejte pouze čisticí prostředky a leštidla vhodné pro myčky nádobí. Naše společnost nenes odpovědnost za škody vzniklé použitím nevhodných čisticích prostředků a leštidel.
- Voda z myčky již není pitná, proto ji nepijte.
- Vzhledem k nebezpečí exploze nekládejte do myčky žádné chemické látky, například rozpouštědla.
- Před mytím zkontrolujte, zda jsou plastové předměty žáruvzdorné.
- Tento spotřebič mohou používat děti starší 8 let a osoby s omezenými tělesnými, smyslovými nebo duševními schopnostmi nebo osoby s nedostatečnými zkušenostmi a znalostmi, pokud jse nacházejí pod dohledem odpovědné osoby nebo pokud byly seznámeny se správným a bezpečným používáním spotřebiče a chápou případná rizika s tím spojená. Děti si nesmí se spotřebičem hrát. Čištění a údržbu nesmí provádět děti bez dohledu odpovědné osoby.
- Do koše nekládejte nevhodné a těžké předměty. Nepřepřlňujte koš. Výrobce neodpovídá za jakékoliv poškození vnitřních částí spotřebiče, ke kterému došlo v souvislosti s nesprávným používáním spotřebiče.
- Neotevírejte dvířka spotřebiče během mycího cyklu. Pokud přesto otevřete dvířka během mycího cyklu, bezpečnostní zařízení zastaví provoz spotřebiče.
- Abyste předešli nehodě, nenechávejte dvířka otevřená.
- Nože a jiné ostré předměty dávejte do košíku na nože, a to ostřím dolů.
- Poškozený napájecí kabel smí vyměnit pouze výrobce, jeho servisní technik nebo jiná podobně kvalifikovaná osoba.
- Pokud je funkce EnergySave aktivní, dvířka spotřebiče se na konci programu otevřou. Nevyvíjejte tlak na zavřená dvířka, aby nedošlo k poškození mechanismu dvířek. Aby se zajistilo účinné sušení, je třeba dveře otevřít po 30 minutách (modely se systémem automatického otevírání dvířek).

Jakmile zazní akustický signál oznamující automatické otevření dvířek, nesmíte stát přímo před dvířky.

Z DŮVODU BEZPEČNOSTI VAŠICH DĚTÍ

- Po sejmutí obalů spotřebiče se ujistěte, že je takový materiál mimo dosah dětí.
- Nedovolte dětem, aby si se spotřebičem hrály nebo ho pouštěly.
- Čistící prostředky uchovejte mimo dosah dětí.
- Děti udržte mimo spotřebič zatímco se otevírá, neboť ve společnosti mohou zbytky čistících látek.
- Ujistěte se, že váš starý spotřebič nepředstavuje pro vaše děti žádnou hrozbu. Jsou známy případy dětí, které se zamkly uvnitř starých spotřebičů. Abyste takové situaci předešli, zničte zámek dveří starého spotřebiče a odřízněte elektrické kabely.

V PŘÍPADĚ PORUCHY

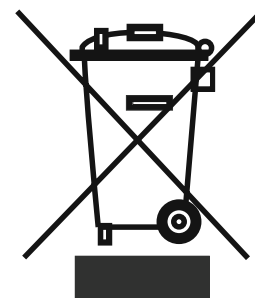
- Jakékoli opravy prováděné kýmkoli jiným, než zaměstnanci autorizovaného servisu, budou mít za následek zrušení záruky na váš spotřebič.
- Před provedením oprav spotřebiče se ujistěte, že je spotřebič odpojený od napájení. Vypněte pojistku nebo odpojte spotřebič. Vždy tahejte za zástrčku, nikdy ne za kabel. Zkontroluj je přívod vody vypnutý

DOPORUČENÍ

- Abyste dosáhli úspory energie a vody, odstraňte z nádobí hrubé nečistoty předtím, než je vložíte do myčky. Myčku spusťte teprve po úplném naplnění.
- Program předmytí použijte pouze tehdy, když je to nezbytně nutné.
- Nádobí jako jsou mísy, skleničky a hrnce, dávejte do myčky dnem vzhůru.
- Doporučujeme, abyste do myčky nedávali různé druhy nádobí nebo větší množství nádobí, než je uvedeno.

RECYKLACE

- Některé části spotřebiče a obalů obsahují recyklovatelné materiály.
- Plastové části jsou označeny mezinárodními zkratkami: (>PE< , >PS< , >POM<, PP<).
- Kartonové části obalu jsou vyrobeny z recyklovaného papíru. Odevzdejte karton ve sběrně starého papíru, která zajistí jeho další recyklaci.
- Takovéto materiály nelze zlikvidovat spolu s běžným domovním odpadem. Odevzdejte je v nejbližší sběrně odpadu, která zajistí jejich recyklaci.
- Bližší informace o způsobech likvidace a sběrných místech Vám podá místní správa.



Předměty, které nejsou vhodné k mytí v myčce nádobí:

- Cigaretový popel, zbytky svíček, lak, barvy, chemické látky, alobal;
- Vidličky, lžice a nože se slonovinovou nebo dřevěnou stěrkou, lepené předměty, předměty, které se mohou rozpustit, předměty znečištěné kyselými nebo zásadními chemickými látkami.
- Plastové předměty, které nejsou teple vzdorné, které jsou měděné nebo hliníkové.
- Hliníkové a stříbrné předměty (mohou ztratit barvu, lesk).
- Určité druhy jemného skla, porcelán s ornamentálními vzory, neboť ten se může po prvním umytí smýt; křišťálové nádoby, neboť v průběhu času ztratí svoji průhlednost; nože, které nejsou teple vzdorné, sklo z olovnatého skla, prkénka, předměty vyrobené ze syntetického vlákna;
- Absorbující předměty, např. houbičky nebo drátěnky, které nejsou vhodné k mytí v myčce.

Varování: V budoucnosti kupujte nádobí vhodné k použití v myčce.

KAPITOLA 3. INSTALACE SPOTŘEBIČE

UMÍSTĚNÍ SPOTŘEBIČE

- Místo, kde se spotřebič bude nacházet, musí být dobře přístupné. Po instalaci musí být možné snadno vkládat nádobí do spotřebiče a vyjímat je z něj. Spotřebič neumísťujte na tam, kde je pravděpodobné, že pokojová teplota klesne pod 0 °C.
- Před umístěním vyjměte spotřebič z obalu, dodržujte přitom upozornění na obalu. Spotřebič umístěte do blízkosti přívodu a odtoku vody. Při umísťování spotřebiče musíte vzít v úvahu, že jeho zapojení nebude po instalaci možné změnit. Spotřebič nechytejte za dvířka ani panel.
- Kolem spotřebiče se musí nacházet dostatek prostoru, aby bylo možné spotřebič při čištění pohodlně vysunout a opět zasunout.
- Zkontrolujte, zda během instalace spotřebiče nedošlo k zachycení hadic pro přívod a odtok vody. Rovněž se ujistěte, že spotřebič nestojí na elektrickém kabelu. Nastavte vyrovnávací nožky spotřebiče tak, aby byl vyvážený a vyrovnaný. Správné umístění spotřebiče zajistí bezproblémové otevírání a zavírání dvířek. Pokud se dvířka spotřebiče správně nedovírají, zkontrolujte, zda se spotřebič nachází na rovném povrchu. Pokud tomu tak není, nastavte nožičky a ujistěte se, že je pozice spotřebiče stabilní.

PŘIPOJENÍ VODY

Rozvody vody musí být vhodné pro instalaci myčky nádobí. Rovněž vám doporučujeme, abyste na vstupu vody do instalovali filtr a předešli tak poškození spotřebiče z důvodu kontaminace nečistotami (písek, hlína, rez, atd.), které mohou být občas přenášeny ve vodovodním potrubí nebo v domácích rozvodech vody.

HADICE PRO PŘÍVOD VODY

Nepoužívejte hadici pro přívod vody ze starého spotřebiče. Použijte novou hadici, která je dodaná společně s vaším spotřebičem. Pokud ke spotřebiči připojíte novou hadici, nechte jí chvíli před zapojením protékat vodu. Hadici pro přívod vody připojte přímo ke kohoutku. Tlak přívodu vody musí být minimálně 0,03 Mpa a maximálně 1 Mpa. Je-li tlak vody nad 1 Mpa, je třeba nainstalovat pojistný ventil.

Po provedení zapojení je třeba kohoutek plně otevřít a zkontrolovat, zda z něj neuniká voda. Z důvodu bezpečnosti zavřete přívod vody po dokončení každého programu.

Připojení vody:

Všimněte si potisku na přívodní hadici!

Pokud je model označen 25°, může být teplota vody max. 25 °C (studená voda). Pro všechny ostatní modely:

Výhodná je studená voda; teplota horké vody max. 60 °C.



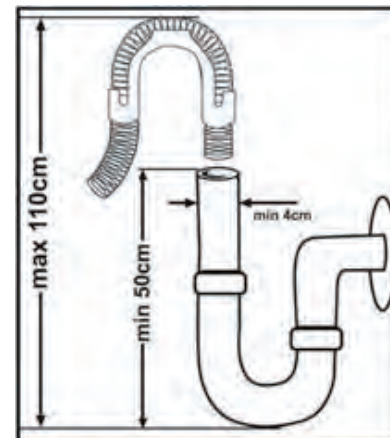
POZNÁMKA:

V některých modelech je použito zařízení Aquastop. V případě použití zařízení Aquastop může dojít k nebezpečnému pnutí. Výtokový otvor neprořezávejte. Nedovolte, aby se toto zařízení ohnulo.



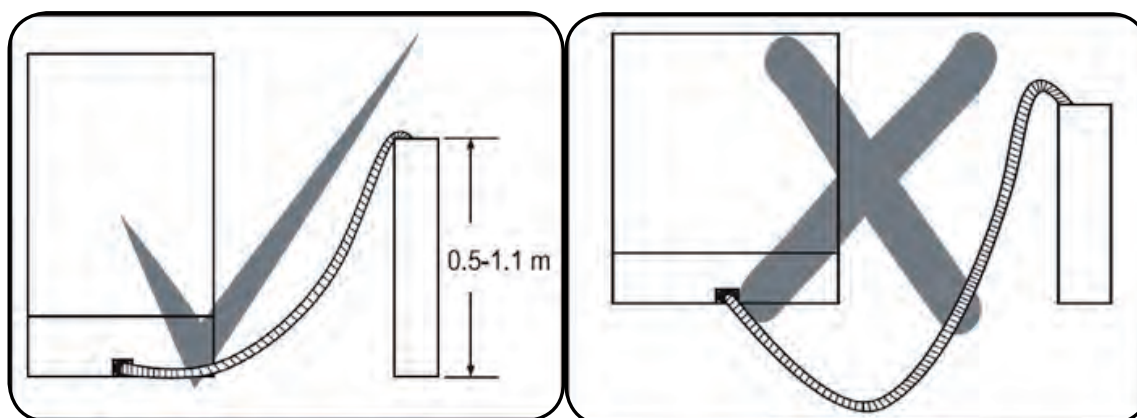
HADICE PRO VYPOUŠTĚNÍ VODY

Hadici pro vypouštění vody lze zapojit buď přímo do odtoku vody nebo do sifonu. Pomocí speciální hadice (je-li k dispozici) lze vodu vypouštět přímo do umyvadla tak, že hadici zaháknete přes okraj umyvadla. Toto připojení musí být 50-110 cm nad úroveň podlahy.



! VAROVÁNÍ:

Při použití vypouštěcí hadice delší než 4 m může nádobí zůstat špinavé. V tomto případě za to naše společnost neodpovídá.



PŘIPOJENÍ K ELEKTRICKÉ SÍTI

- Uzemněná zástrčka Vašeho spotřebiče musí být zapojena do uzemněné zásuvky vhodného napětí. Pokud zásuvka, ke které chcete připojit spotřebič, není uzemněná, obraťte se na kvalifikovaného elektrikáře. Výrobce nenese odpovědnost za případné škody způsobené připojením spotřebiče k neuzemněné zásuvce.
- Hodnota vnitřních pojistek musí být 10 až 16 A.
- Váš spotřebič je nastaven na napětí 220 až 240 V. Je-li napětí ve Vaší zemi 110 V, použijte měnič napětí 110/220 V a 3000 W. Spotřebič nesmí být během manipulace připojen k elektrické síti. Vždy použijte zástrčku dodanou spolu se spotřebičem. Spuštění mycího cyklu při nízkém napětí má za následek zhoršení kvality mytí. Výměnu napájecího kabelu smí z bezpečnostních důvodů provést pouze výrobce, technik autorizovaného servisu nebo jiná podobně kvalifikovaná osoba.
- Z bezpečnostních důvodů spotřebič po dokončení mycího cyklu vždy odpojte od elektrické sítě.
- Neodpojujte spotřebič od elektrické sítě mokřými rukama. Mohlo by dojít k úrazu elektrickým proudem.
- Při odpojování spotřebiče od elektrické sítě tahejte za zástrčku, nikoliv za kabel.

KAPITOLA 4. PŘÍPRAVA SPOTŘEBIČE K POUŽITÍ

PŘED PRVNÍM POUŽITÍM SI PŘEČTĚTE NÁVOD K POUŽITÍ

- Ujistěte se, že rozvody vody a elektřiny odpovídají hodnotám vyznačeným v pokynech k instalaci spotřebiče.
- Sejměte všechny obaly z vnitřní části spotřebiče.
- Nastavte úroveň změkčení vody.
- Naplňte nádržku na leštidlo.

VÝZNAM ODSTRANĚNÍ VODNÍHO KAMENE Z VODY

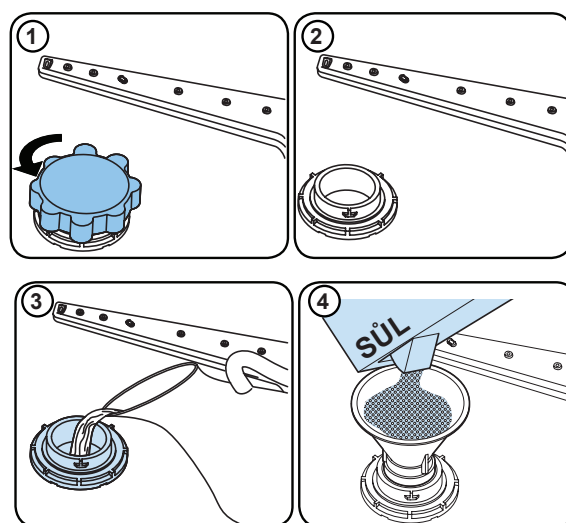
Aby se dosáhlo dobrého výsledku, myčka potřebuje měkkou, méně vápenitou vodu. V opačném případě zůstanou na nádobí a uvnitř myčky zbytky vodního kamene. To negativně ovlivní mycí, sušící a lešticí výkon vaší myčky. Když voda protéká změkčovacím systémem, jsou ionty tvořící tvrdost odstraněny z vody a voda dosáhne měkkosti potřebné k dosažení nejlepšího výsledku mytí.

V závislosti na stupni tvrdosti přírodní vody se tyto ionty, které rychle tvrdnou, rychle hromadí uvnitř změkčovacího systému. Systém změkčování vody je třeba vyměňovat, aby zajistil stejnou výkonnost i během dalšího mytí. K tomu se používá sůl do myčky nádobí.

Do myčky lze použít pouze speciální sůl do myčky nádobí pro změkčení vody. Nepoužívejte žádné soli s malými zrnky nebo práškové soli, které by se snadno rozpustily. Použití jiného typu soli může přístroj poškodit.

PLNĚNÍ ZÁSOBNÍKU NA SŮL

Chcete-li přidat změkčovací sůl, otevřete víčko přihrádky soli otočením proti směru hodinových ručiček. (1) (2) Při prvním použití naplňte přihrádku 1 kg soli a vody (3), dokud téměř nepřeteče. Pokud je to možné, použití nálevky (4) usnadní plnění. Nasadte a zavřete víčko. Po každých 20–30 cyklech přidejte do myčky sůl, dokud se nenaplní (přibližně 1 kg).



Přihrádku na sůl naplňte vodou pouze při prvním použití.

Použijte sůl vyrobenou k použití v myčkách nádobí.

Při spuštění myčky se přihrádka na sůl naplní vodou, proto vložte sůl do myčky před začátkem mytí.

Pokud sůl přetekla a myčku jste okamžitě nespustili, spusťte krátký mycí program, abyste myčku ochránili před korozi.

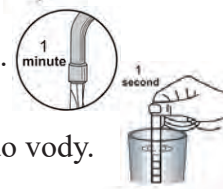
TESTOVACÍ PROUŽEK

Účinnost mytí Vašeho spotřebiče závisí na měkkosti kohoutkové vody. Z tohoto důvodu je Váš spotřebič vybaven systémem, který snižuje tvrdost vody z vodovodu. Účinnost mytí se zvýší při správném nastavení systému. Abyste zjistili tvrdost vody ve Vaší lokalitě, kontaktujte dodavatele vody nebo zjistěte tvrdost vody pomocí testovacího proužku (máte-li jej k dispozici).

1. Otevřete balení s testovacím proužkem.



2. Nechte vodu z kohoutku 1 minutu odtékat.



3. Testovací proužek ponořte na 1 sekundu do vody.



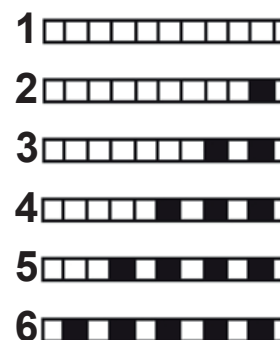
4. Po vyjmutí z vody testovací proužek otřepete.



5. Vyčkejte 1 minutu.



6. Nastavení tvrdosti vody proveďte podle výsledku, který se zobrazí na testovacím proužku.



POZNÁMKA: Výchozí úroveň je 3. Pokud je voda ze studny nebo má úroveň tvrdosti nad 90 dF, doporučujeme použít filtrační a čisticí zařízení.

NASTAVENÍ SPOTŘEBY SOLI

VODA TVRDOSTI VODY	NĚMECKÉ ZNAČENÍ ÚROVNĚ TVRDOSTI VODY DH	FRANCOUZSKÉ ZNAČENÍ ÚROVNĚ TVRDOSTI VODY DF	BRITSKÉ ZNAČENÍ ÚROVNĚ TVRDOSTI VODY DE	KONTROLKA ÚROVNĚ TVRDOSTI
1	0-5	0-9	0-6	Na displeji se zobrazí L1.
2	6-11	10-20	7-14	Na displeji se zobrazí L2.
3	12-17	21-30	15-21	Na displeji se zobrazí L3.
4	18-22	31-40	22-28	Na displeji se zobrazí L4.
5	23-31	41-55	29-39	Na displeji se zobrazí L5.
6	32-50	56-90	40-63	Na displeji se zobrazí L6.

Systém změkčování vody

Myčka je vybavena systémem na změkčování vody, který snižuje tvrdost vstupní vody. Chcete-li zjistit úroveň tvrdosti vody z vodovodu, obraťte se na vodohospodářskou společnost nebo použijte testovací proužek (pokud je k dispozici).

Nastavení:

- Otevřete dvířka spotřebiče.
- Zapněte myčku a poté hned stiskněte tlačítko Program.
- Podržte stisknuté tlačítko Program, dokud nezmizí „SL“.
- Zařízení zobrazí poslední nastavení.
- Nastavte úroveň stisknutím tlačítka Program.
- Chcete-li nastavení uložit, myčku vypněte.

PLNĚNÍ DÁVKOVAČE PRACÍHO PROSTŘEDKU

Používejte pouze čisticí prostředky vyrobené k použití v domácích myčkách nádobí. Čisticí prostředky skladujte na chladném, suchém místě mimo dosah dětí.

Abyste dosáhli nejlepších výsledků, přidejte do vybraného programu vhodný čisticí prostředek. Množství potřebného čisticího prostředku závisí na cyklu, množství nádobí a úrovni znečištění.

Nepřidávejte do přihrádky na čisticí prostředek více čisticího prostředku, než je nutné; jinak na skle a nádobí uvidíte bělavé pruhy nebo namodralé vrstvy, které mohou způsobit korozi skla. Pokračování v používání příliš velkého množství čisticího prostředku může způsobit poškození spotřebiče.

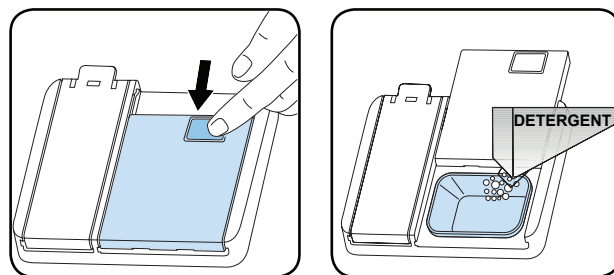
Použití malého množství čisticího prostředku může mít za následek špatné mytí a na nádobí můžete vidět bělavé pruhy.

Další informace naleznete v pokynech výrobce čisticího prostředku.

Naplnění přihrádky na čisticí prostředek

Zatlačením na západku otevřete přihrádku a naplňte ji čisticím prostředkem.

Zavřete víko jeho zatlačením, dokud nezaklapne na místo. Přihrádku doplňujte těsně před zahájením každého programu. Pokud je nádobí silně znečištěné, přidejte do přihrádky pro předmytí další čisticí prostředek.



Č Použití kombinovaných čisticích prostředků

Tyto výrobky by měly být používány podle pokynů výrobce.

Nikdy nedávejte kombinované čisticí prostředky do vnitřní části nebo do košíku na příbory.

Kombinované čisticí prostředky neobsahují pouze čisticí prostředek, ale také leštidlo, látky nahrazující sůl a další složky v závislosti na kombinaci.

Kombinované čisticí prostředky nedoporučujeme používat v krátkých programech. Místo toho použijte práškové čisticí prostředky. Pokud při používání kombinovaných čisticích prostředků narazíte na problémy, obraťte se na jejich výrobce.

Když přestanete kombinované čisticí prostředky používat, ujistěte se, že tvrdost vody a leštidlo jsou nastaveny na správnou úroveň.

Použití leštidla

Leštidlo pomáhá nádobí vysušit bez šmouh a skvrn. Aby bylo nádobí bez skvrn a sklenice čiré, je nutné použít leštidlo. Leštidlo se automaticky přidá během fáze horkého oplachování. Pokud je nastavení dávkování leštidla příliš nízké, na nádobí zůstanou skvrny a nebude vysušené ani neumyté.

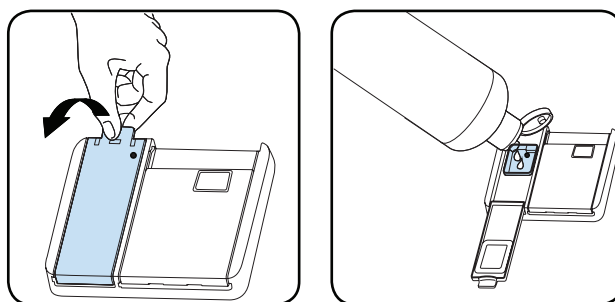
Pokud je nastavení dávkování leštidla příliš vysoké, na skle a nádobí se objeví namodralé vrstvy.

PLNĚNÍ OPLACHOVACÍM PROSTŘEDKEM A NASTAVENÍM

Chcete-li doplnit lešticí prostředek, otevřete víčko oddělení na lešticí prostředek. Dolijte lešticí prostředek do úrovně MAX a potom víčko zavřete. Nedolévejte příliš velké množství leštidla a případné cákance vytřete.

- Stiskněte tlačítko Výběr programu a přidržte ho.
- Zapněte zařízení.
- Podržte stisknuté programové tlačítko, dokud nezmizí "rA" z displeje. Po sadě s leštidlem následuje sada tvrdosti vody.
- Zařízení zobrazí aktuální nastavení.
- Změňte úroveň stisknutím tlačítka Program.
- Chcete-li nastavení uložit, myčku vypněte.
- Tovární nastavení je "4".

Pokud nádobí není správně vysušeno nebo je špinavé, zvyšte úroveň. Pokud se na nádobí objeví modré skvrny, snižte úroveň.



ÚROVEŇ	INDIKÁTOR	LEŠTIDLA
1	Leštidlo nevytéká do myčky.	Na displeji se objeví r1.
2	Je vydána 1 dávka.	Na displeji se objeví r2.
3	Jsou vydány 2 dávky.	Na displeji se objeví r3.
4	Jsou vydány 3 dávky.	Na displeji se objeví r4.
5	Jsou vydány 4 dávky.	Na displeji se objeví r5.

KAPITOLA 5. PLNĚNÍ MYČKY NÁDOBÍ

Nejlépeších výsledků mytí dosáhnete při dodržení následujících pokynů.

Naplnění myčky nádobí do kapacity uvedené výrobcem pomáhá šetřit vodu a energii.

Ruční předmětů nádobí vede ke zvýšení spotřeby vody a energie a není doporučeno. Hrnky, sklenice, příbory, malé talíře a misky můžete umístit do horního koše. Neumísťujte vysoké sklenice vedle sebe, nebudou stát pevně a mohly by se tak poškodit. Při umístění vysokých sklenic a pohárů opírejte je o okraje koše nebo police, nikoliv o sebe.

Veškeré nádobí jako jsou hrnky, sklenice a hrnce do myčky dávejte otvorem dolů, aby se v nich nehromadila voda.

Je-li myčka vybavena košíkem na příbory, doporučujeme ho používat, abyste dosáhli nejlepších výsledků mytí. Všechny velké nádoby (hrnce, pánve, pokličky, mísy atd.) a všechny velice zašpiněné kusy nádobí umísťujte na spodní polici.

Nádobí a příbory neumísťujte jedny na druhé.



VAROVÁNÍ:

Ujistěte se, že otáčení ramen s tryskami nic nebrání.




VAROVÁNÍ:

Ujistěte se, že po naplnění myčky přihrádka na čisticí prostředek není zablokována.

Doporučení

Před umístěním nádobí do myčky z něj odstraňte veškeré hrubé zbytky jídla. Myčku spouštějte zaplněnou.

 Nevkládejte do myčky příliš velké množství nádobí a nádobí umísťte vždy do správných košů.



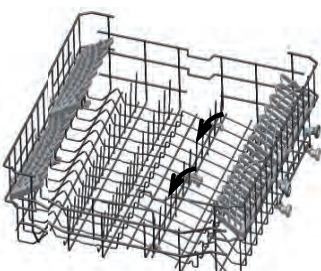
VAROVÁNÍ:

Abyste předešli možným zraněním, nože s dlouhou rukojetí a ostrými hranami umísťte dnem vzhůru.

Horní koš

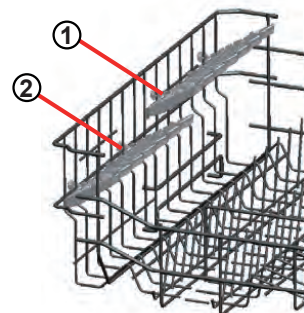
Rošt na nádobí

Na tyto rošty můžete díky nastavitelné výšce umístit nádobí různé velikosti. Rošty můžete používat ve 2 různých výškách.



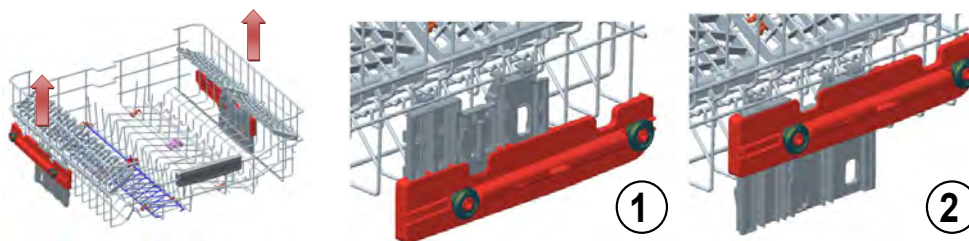
Skládací rošty

Skládací rošty v horní části koše jsou navrženy tak, aby umožnily vložení rozměrného nádobí, např. hrnců, pánví atd. V případě potřeby lze každou část složit samostatně nebo je lze složit najednou a získat tak větší prostor. Chcete-li nastavit skládací rošty, zdvihněte je, nebo je složte dolů.



Nastavení horní části, je-li plná.

Mechanismus pro nastavení výšky horního koše je navržen tak, aby umožnil upravit výšku naplněného horního koše bez nutnosti vyjmutí koše z myčky. Díky tomu můžete vytvořit větší prostor v horní nebo spodní části myčky. Koš se z výroby nachází v horní poloze. Pokud chcete koš zvednout, uchopte jej na obou stranách a zvedněte. Pokud chcete koš naopak snížit, uchopte jej opět na obou stranách a snižte jej. Pokud je koš plný, ujistěte se, že se obě strany koše nacházejí ve stejné poloze (nahore nebo dole).



Horní košík na příbory

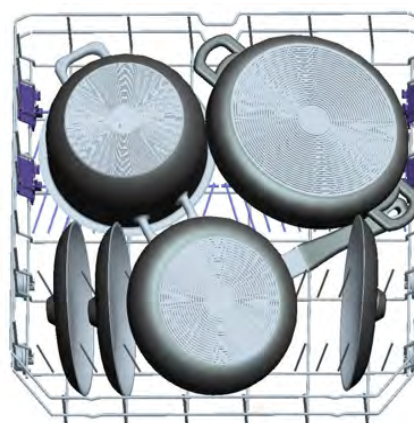
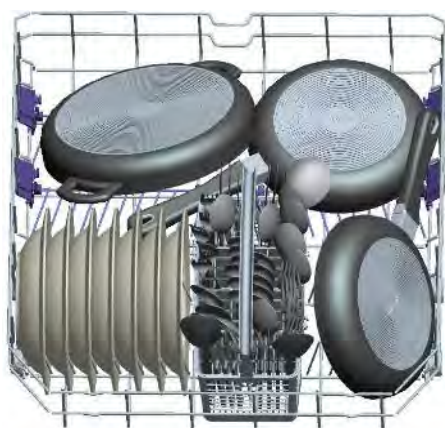
Horní košík slouží ke vkládání vidliček, lžící a nožů, dlouhých vařeček a malých předmětů.



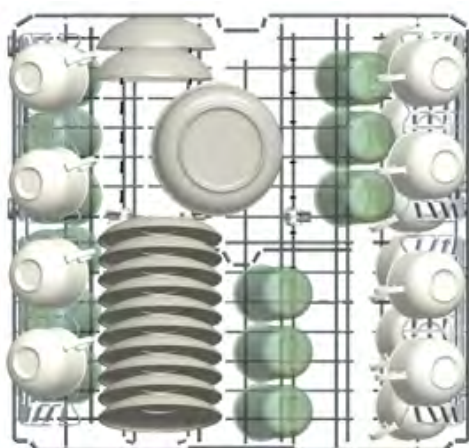
Varování: Nože a další ostré předměty je nutné do košíku na příbory vkládat horizontálně.

ALTERNATIVNÍ PLNĚNÍ KOŠE

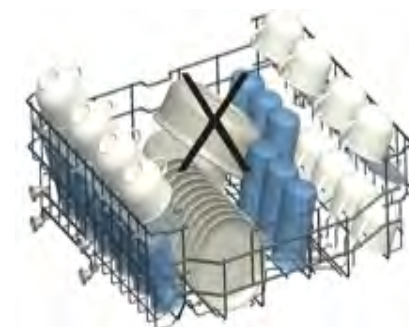
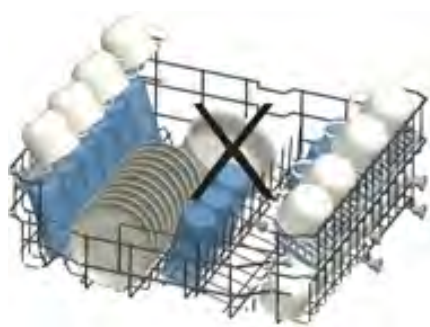
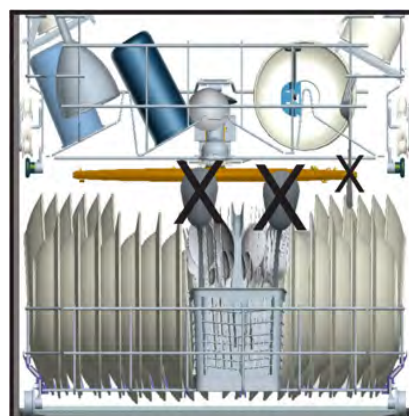
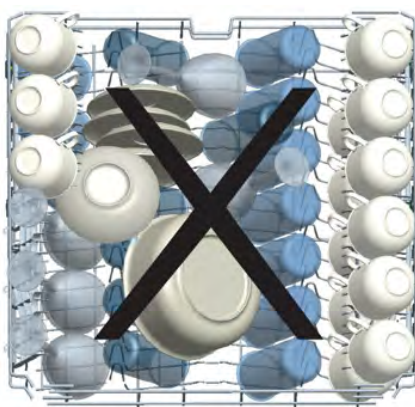
Spodní koš



Horní koš



VADNÉ ZATÍŽENÍ




Nesprávné naplnění myčky

Nesprávné naplnění myčky může způsobit snížení mycího a sušícího výkonu. Abyste dosáhli nejlepších výsledků, dodržujte prosím pokyny výrobce.

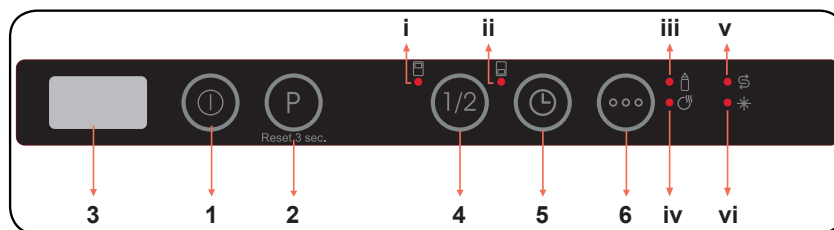
KAPITOLA 6. TABULKA PROGRAMŮ

PROGRAM	TYP ZNEČIŠTĚNÍ	MÍRA ZNEČIŠTĚNÍ	MNOŽSTVÍ ČISTICÍHO PROSTŘEDKU A: 25 CM 3 B: 15 CM3	DÉLKA TRVÁNÍ PROGRAMU (MIN.)	SPOTŘEBA ELEKTRINY (kWh/cyklus)	SPOTŘEBA VODY l/cyklus)
P1 Eco	Standardní program pro běžně znečištěné denně používané nádoby se sníženou spotřebou energie a vody.	Střední	A	222	0,937	9,0
P2 Intenzivní (Podle modelu)	Pro silně znečištěné nádoby.	Silné	A	122	1,600	14,9
P2 Auto (Podle modelu)	Automatický program pro silně znečištěné nádoby.	Silné	A	99-122	1,300-1,600	10,5-14,9
P3 Super 50'	Rychlejší program pro běžně znečištěné denně používané nádoby.	Střední	A	50	1,000	9,5
P4 Denní 60°C	Program pro běžně znečištěné denně používané nádoby	Střední	A	94	1,320	14,4
P5 Čištění+ 55 °C	Program pro běžně znečištěné denně používané nádoby.	Střední	A	109	1,150	17,7
P6 Jemný 40 °C	Pro lehce znečištěné nádoby.	Mírné	A	74	0,800	13,9
P7 Rychlý 30'	Pro lehce znečištěné nádoby a rychlé mytí.	Mírné	A	30	0,670	10,9
P8 Předmytí	Pro opláchnutí nádobí, které plánujete umýt později.	Mírné	-	15	0,020	4,2

- Doba trvání programu se může měnit v závislosti na množství nádobí, teplotě vody, okolní teplotě a zvolených dodatečných funkcích.
- Hodnoty uváděné pro jiné programy než ekologický program jsou pouze informativní.
- Pokud má váš model senzor zákalu, má místo intenzivního programu auto program.
- Eco (ekologický) program je vhodný k čištění běžně znečištěného nádobí. Je pro toto použití nejúčinnějším programem, pokud jde o kombinovanou spotřebu energie a vody, a používá se k posouzení souladu s právními předpisy EU o ekodesignu.
- Mytí nádobí v domácí myčce nádobí obvykle spotřebovává méně energie a vody ve fázi používání než ruční mytí nádobí, pokud se myčka nádobí pro domácnost používá podle pokynů výrobce.
- Práškový mycí prostředek používejte pouze pro krátké programy.
- Krátké programy nezahrnují sušení.
- Chcete-li urychlit sušení, doporučujeme po ukončení cyklu nechat trochu pootevřené dveře.
- Přístup do databáze produktů, kde naleznete informace o modelu, můžete získat načtením kódu QR na energetickém štítku.

 **POZNÁMKA:** Podle nařízení 1016/2010 a 1059/2010 se mohou hodnoty spotřeby energie v programu Eco lišit. Tato tabulka je v souladu s předpisy 2019/2022 a 2017/2022.

KAPITOLA 7. OVLÁDACÍ PANEL



- | | |
|------------------------------|---------------------------------------------|
| 1. Tlačítko Zap./Vyp. | i. Kontrolka Poloviční náplň horního koše |
| 2. Tlačítko volby programu | ii. Kontrolka Poloviční náplň spodního koše |
| 3. Displej | iii. Kontrolka Extra hygiena |
| 4. Tlačítko poloviční náplně | iv. Kontrolka Extra sušení |
| 5. Tlačítko Odložený start | v. Kontrolka Sůl |
| 6. Tlačítko Možnosti | vi. Kontrolka Lešticí prostředek |

1. Tlačítko Zap./Vyp.

Zapněte myčku stisknutím tlačítka Zap./Vyp. Když je myčka zapnutá na displeji (3) se zobrazí „--“.

2. Tlačítko volby programu

Stisknutím tlačítka volby programu vyberte vhodný program pro vaše nádoby. Program se spustí automaticky po zavření dveří.

3. Displej

Na displeji se během provozu střídavě zobrazuje číslo, celkový a zbývající čas vybraného programu.

4. Tlačítko poloviční náplně

Stisknutím tlačítka poloviční náplně zkrátíte dobu trvání zvoleného programu a snížíte tak spotřebu energie a vody. Je-li vybrána možnost poloviční náplně, LED kontrolka poloviční náplně (i) bude svítit.

5. Tlačítko Odložený start

Chcete-li dobu spuštění vybraného programu odložit o 1 až 19 hodin, stiskněte tlačítko Odložení. Jedním stisknutím tlačítka se doba spuštění odloží o 1 hodinu a doba odložení se dále zvyšuje dalšími stisky tlačítka. Chcete-li dobu odložení spuštění změnit nebo zrušit, stiskněte tlačítko Odložení. Pokud přístroj vypnete, zatímco je funkce Odložený start aktivní, odložení se zruší.

6. Tlačítko Možnosti

- Jedním stisknutím tlačítka Možnosti aktivujete možnost Extra Hygiena. Když ji aktivujete, rozsvítí se kontrolka Extra Hygiena (iii) a teplota a doba trvání mytí vybraného programu se změní tak, aby bylo zajištěno hygieničtější mytí nádobí.

- Chcete-li aktivovat možnost Extra sušení, stiskněte tlačítko Možnosti dvakrát. Když ji aktivujete, rozsvítí se kontrolka Extra sušení (iv) a do vybraného programu budou přidány další kroky zahřívání a sušení.

- Stisknutím tlačítka potřetí funkce deaktivujete a obě kontrolky zhasnou.

- Pokud byla při posledním mycím programu použita dodatečná funkce, zůstane tato funkce aktivní i v dalším vybraném programu. Chcete-li tuto funkci v nově vybraném mycím programu zrušit, stiskněte a držte tlačítko této funkce, dokud nezhasne kontrolka na tlačítku.

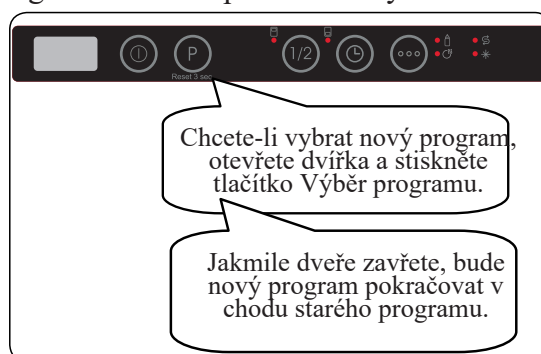
POZNÁMKA: Pokud se rozhodnete vybraný program nespustit, podívejte se do částí „Změna programu“ a „Zrušení programu“.

POZNÁMKA: Při nedostatku změkčovací soli se rozsvítí výstražná kontrolka Nedostatek soli (ii), což znamená, že musíte doplnit komůrku se solí.

POZNÁMKA: Při nedostatku leštidla se rozsvítí výstražná kontrolka Nedostatek leštidla (iii), což znamená, že musíte doplnit komůrku s leštidlem

Změna programu

Pokud chcete provést změnu programu během spuštěného mytí.



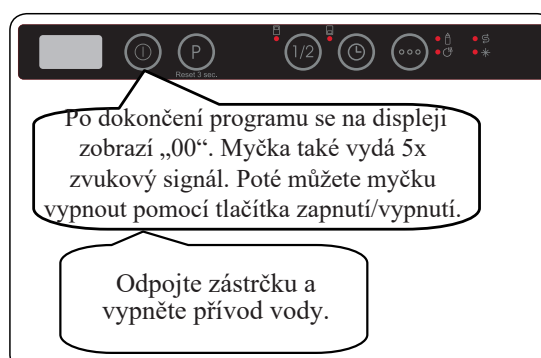
POZNÁMKA: Chcete-li zastavit program před dokončením, nejprve otevřete dvířka jen trochu, abyste zabránili úniku vody

Zrušení programu

Pokud chcete program zrušit během spuštěného mytí



Vypnutí přístroje



POZNÁMKA: Pokud ve stavu pohotovosti není stisknuto žádné tlačítko více než 15 minut, přístroj se automaticky vypne.

POZNÁMKA: Neotevírejte dvířka před dokončením programu.

POZNÁMKA: Chcete-li urychlit sušení, nechte na konci mycího programu dvířka trochu pootevřená.

POZNÁMKA: Pokud jsou během chodu otevřena dvířka myčky nebo je během chodu přerušeno napájení, bude program pokračovat po zavření dvířek nebo po obnovení napájení.

Nastavení bzučáku

Chcete-li nastavit hlasitost bzučáku, postupujte podle následujících kroků:

1. Otevřete dvířka a současně stiskněte a podržte (5) tlačítka Odložení a Možnosti (6)
2. Po rozpoznání nastavení zvuku vydá bzučák dlouhé pípnutí a přístroj zobrazí poslední nastavenou úroveň od „S0“ do „S3“.
3. Chcete-li snížit hlasitost, stiskněte tlačítko Program (2). Chcete-li zvýšit hlasitost, stiskněte tlačítko Odložení startu (4).
4. Chcete-li nastavené hodnoty hlasitosti uložit, myčku vypněte. Úroveň „S0“ znamená, že jsou všechny zvuky vypnuté. Tovární nastavení je „S3“.

Úsporný režim

Chcete-li aktivovat nebo deaktivovat úsporný režim, postupujte podle následujících kroků:

1. Otevřete dvířka a současně stiskněte a podržte tlačítka Odložený start (4) a Poloviční náplň (5) po dobu 3 sekund.
2. Po 3 sekundách se na displeji zobrazí poslední nastavení, „IL1“ nebo „IL0“.
3. Když je aktivován úsporný režim, zobrazí se „IL1“. V tomto režimu vnitřní osvětlení zhasne 4 minuty po otevření dvířek a přístroj se vypne po 15 minutách nečinnosti, aby se šetřila energie.
4. Když je úsporný režim deaktivován, na displeji se zobrazí „IL0“. Pokud je úsporný režim deaktivován, vnitřní světla budou svítit, dokud zůstanou dvířka otevřena, a přístroj bude zapnut, dokud jej uživatel nevypne.
5. Chcete-li nastavení uložit, myčku vypněte.

V továrním nastavení je úsporný režim aktivní.

Antibakteriální technologie IonTech (v závislosti na modelu)

Tato funkce zajišťuje extra hygienu díky technologii iontů. Funkce IonTech se aktivuje stisknutím a podržením tlačítka Poloviční náplně (4) po dobu 3 sekund. Mezitím se na displeji zobrazují čísla od 1 do 3. Po 3 sekundách se na displeji zobrazí „Ion“, což znamená, že funkce ionizátoru je aktivní. Poté co se zobrazí „Ion“, tlačítko uvolněte. Pokud uživatel po dobu 24 hodin po aktivaci funkce IonTech neprovede žádnou akci, funkce se automaticky zruší.

POZNÁMKA: Pokud se myčka vypne, funkce IonTech se zruší.

POZNÁMKA: Funkce IonTech nefunguje v kombinaci s žádným programem.

POZNÁMKA: Pokud je funkce IonTech aktivní, rozsvítí se při otevřených dveřích kontrolka funkce IonTech.

Informační led 2.1 (v závislosti na modelu)

LED kontrolka	Stav přístroje
Červená kontrolka	Program je v chodu.
Červená kontrolka bliká	Program je zrušen.
Červená kontrolka rychle bliká	Přístroj má poruchu. Viz část „Automatická chybová hlášení a jejich řešení“.
Zelená kontrolka	Program je dokončen.

KAPITOLA 8. ÚDRŽBA A ČIŠTĚNÍ

Čištění myčky je důležité pro udržení životnosti stroje.

Ujistěte se, že nastavení změkčení vody (je-li k dispozici) je provedeno správně a že je použito správné množství čisticího prostředku, aby se zabránilo hromadění vodního kamene. Jakmile se rozsvítí kontrolka soli, doplňte příhrádku na sůl. V myčce nádobí se může časem usazovat olej a vodní kámen.

Pokud k tomu dojde:

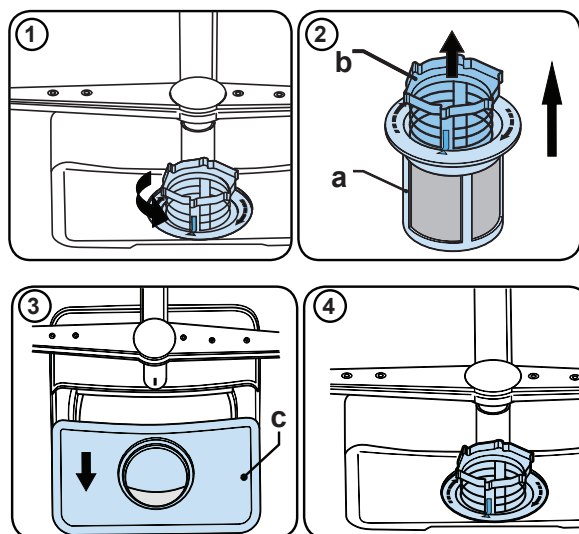
- Naplňte příhrádku na čisticí prostředek, ale nekládejte do myčky žádné nádobí. Vyberte program, který myje při vysoké teplotě, a spusťte program s prázdnou myčkou. Pokud to vaši myčku nádobí dostatečně nevyčistí, použijte čisticí prostředek určený pro myčky nádobí.
- Chcete-li prodloužit životnost vaší myčky, pravidelně ji každý měsíc čistěte.
- Těsnění dveří pravidelně otírejte navlhčeným hadříkem, abyste odstranili veškeré nahromaděné zbytky nebo cizí předměty.

Filtry:

Filtry a ramena s tryskami čistěte minimálně jednou týdně. Pokud v jemných a hrubých filtrech zůstanou jakékoli zbytky potravin nebo cizí předměty, filtry vyjměte a důkladně je vyčistěte pod tekoucí vodou.

- Mikro filtr
- Hrubý filtr
- Kovový filtr

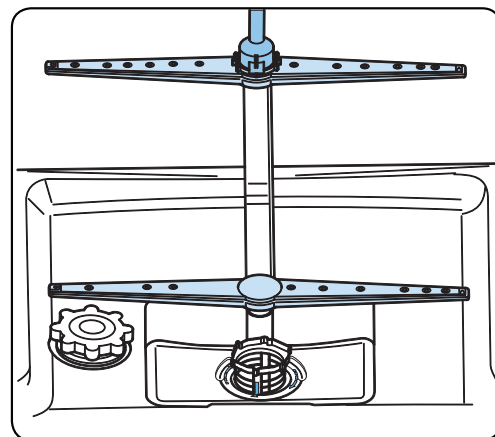
Chcete-li vyjmout a vyčistit kombinaci filtrů, otočte ji proti směru hodinových ručiček a vyjměte ji zvednutím nahoru (1). Vyndejte hrubý filtr z mikro filtru (2). Potom vytáhněte a vyjměte kovový filtr (3). Filtry důkladně opláchněte pod tekoucí vodou. Namontujte filtry zpět. Sestavu filtrů vraťte zpět otočením ve směru hodinových ručiček (4).



- Myčku nádobí nikdy nepoužívejte bez filtru.
- Nesprávné nasazení filtru snižuje účinnost mytí.
- Čisté filtry jsou nezbytné pro správný chod stroje.

Ostříkovací ramena:

Dbejte na to, aby otvory s tryskami nebyly ucpané a aby na ramenou nezůstaly žádné zbytky potravin nebo cizí předměty. Pokud se některá z trysek ucplala, vyjměte rameno a vyčistěte ho pod tekoucí vodou. Chcete-li odstranit horní rameno s tryskami, uvolněte matici, která jej drží na svém místě, otáčením ve směru hodinových ručiček a zatáhnutím směrem dolů. Ujistěte se, že při opakovaném nasazení horního ramena na místo je matice dokonale usazena.



Vypouštěcí čerpadlo

Velké zbytky potravin nebo cizí předměty, které nebyly zachyceny filtry, mohou ucpat čerpadlo odpadní vody. Oplachovací voda bude potom nad filtrem.



Varování – nebezpečí pořezání!

Při čištění vypouštěcího čerpadla se ujistěte, že se nepořezáte o kusy rozbitého skla nebo špičatých předmětů.

V tomto případě:

1. Nejprve vždy odpojte spotřebič od napájení.
2. Vyjměte koše.
3. Odstraňte filtry.
4. Odstraňte vodu. V případě potřeby použijte houbu.
5. Zkontrolujte oblast a odstraňte všechny cizí předměty.
6. Nainstalujte filtry.
7. Znovu vložte koše.

KAPITOLA 9. CHYBOVÉ KÓDY A ŘEŠENÍ PROBLÉMŮ

CHYBOVÝ KÓD	CHYBA POPIS	KONTROLA
FF	Nedostatečný přívod vody	Ujistěte se, že je ventil přívodu vody otevřen a voda teče.
		Odpojte přívodní hadici od kohoutku a vyčistěte filtr hadice.
		Pokud chyba přetrvává, kontaktujte servis.
F5	Nedostatečný přívod vody	Kontaktujte zákaznický servis.
F3	Porucha přívodu vody	Zavřete kohoutky. Kontaktujte servis.
F2	Z myčky se nevypouští odpadní voda.	Ucpaná přívodní hadice. Filtry Vašeho spotřebiče mohou být ucpané. Vypněte spotřebič a aktivujte příkaz ke zrušení programu. Pokud přetrvává přetrvává, kontaktujte servis.
F8	Porucha ohřevu	Kontaktujte zákaznický servis.
F1	Aktivní alarm - přetékání vody	Vypněte spotřebič a zavřete kohoutek. Kontaktujte zákaznický servis.
FE	Vadná elektronická karta	Kontaktujte zákaznický servis.
F7	Přehřátí(příliš vysoká teplota ve spotřebiči)	Kontaktujte zákaznický servis.
F9	Chyba umístění přepážky	Kontaktujte zákaznický servis.
F6	Vadný senzor ohřevu	Kontaktujte zákaznický servis.
HI	Příliš vysoké napětí	Kontaktujte zákaznický servis.
LO	Příliš nízké napětí	Kontaktujte zákaznický servis.

- Instalaci a opravy musí vždy provádět autorizovaný servisní zástupce, aby se zabránilo možným rizikům. Výrobce neodpovídá za škody, které mohou vzniknout při postupech prováděných neoprávněnými osobami. Opravy smí provádět pouze technik. Pokud je nutné vyměnit součást, ujistěte se, že jsou použity pouze originální náhradní díly.
- Nesprávné opravy nebo použití neoriginálních náhradních dílů mohou způsobit značné škody a vystavit uživatele značnému riziku.
- Kontaktní informace zákaznického servisu najdete na zadní straně tohoto dokumentu. Originální náhradní díly vztahující se k funkci podle příslušné objednávky ekodesignu lze získat od zákaznického servisu po dobu nejméně 10 let ode dne, kdy byl váš spotřebič uveden na trh v Evropském hospodářském prostoru.

Služby zákazníkům
PL: +48 22 243 70 00
Po 7:00 - 17:00
Út-Pá 9:00 - 17:00
kontakt@kernau.com

Pokud se program nespustí:

- Zkontrolujte, zda je zástrčka napájecího kabelu zasunutá do zásuvky.
- Zkontrolujte pojistky.
- Zkontrolujte, zda je kohoutek na přívodu vody otevřený.
- Zkontrolujte, zda jste zavřeli dvířka spotřebiče.
- Zkontrolujte, zda jste spotřebič vypnuli stisknutím tlačítka Zap./Vyp.
- Zkontrolujte, znedošlo k ucpání filtru na přívodu vody a filtrů ve spotřebiči.

Pokud kontrolky po dokončení programu nezhasnou:

- Aktivní alarm - přetékání vody.
- Vypněte přívod vody a kontaktujte autorizovaný servis.

Pokud kontrolky nezhasnou po dokončení programu

- Zkontrolujte, zda je tlačítko Zap./Vyp. uvolněné.

Pokud v prostoru na čisticí prostředek zůstanou zbytky čisticího prostředku:

- Čisticím prostředkem jste naplnili mokrou přihrádku.

Pokud na konci programu zůstane ve spotřebiči voda:

- Odtoková hadice je ucpaná.
- Filtry jsou ucpané.
- Program se ještě nedokončil.

Pokud se spotřebič zastaví během mytí:

- Výpadek napájení.
- Selhání přívodu vody.
- Program může být v pohotovostním režimu.

Pokud se během mytí ze spotřebiče ozývá hluk a spotřebič se třese:

- Nádobí je vložené nesprávně.
- Ostríkovací ramena naráží do nádobí.

Pokud na nádobí zůstanou zbytky jídla:

- Nádobí je do myčky vloženo nesprávně, rozstříkovaná voda se nedostala na konkrétní místa.
- Košík je přeplněný.
- Nádobí se naklání.
- Bylo přidáno malé množství čisticího prostředku.
- Byl zvolen nevhodný, nedostatečně účinný program.
- Ostríkovací ramena jsou ucpaná zbytky jídla.
- Filtry jsou ucpané.
- Filtry byly nesprávně nasazeny.
- Ucpáný odtok.

Pokud na nádobí zůstávají bělavé skvrny:

- Bylo použito malé množství čisticího prostředku.
- Nastavení dávkování na oplachování bylo nastaveno na velmi nízkou úroveň.
- Nebyla použita žádná speciální sůl navzdory vysoké tvrdosti vody.
- Nastavení systému na zjemňování je na velmi nízké úrovni.
- Víčko zásobníku soli na sůl není správně zavřené.

Pokud nádobí neuschne:

- Byl zvolen program bez sušení.
- Množství leštidla je příliš malé.
- Nádobí bylo vyjmuto z myčky příliš rychle.

Pokud na nádobí zůstává rez:

- Kvalita nerezového nádobí je nedostačující.
- Vysoký obsah soli ve vodě.zásobníku soli není správně zavřené.
- prostoru na sůl není dobře dovřené.
- Příliš mnoho soli se při plnění rozstříkne po stranách a do myčky.
- Nesprávné uzemnění.

**POKUD PROBLÉM PŘETRVÁVÁ I PO PROVEDENÍ KONTROLY NEBO V PŘÍPADĚ
JAKÉHOKOLI SELHÁNÍ, KTERÉ NENÍ POPSÁNO VÝŠE, KONTAKTUJTE
AUTORIZOVANÝ SERVIS.**

KAPITOLA 10. PRAKTICKÉ A UŽITEČNÉ INFORMACE

1. Když není spotřebič v provozu:
 - Spotřebič odpojte a vypněte přívod vody.
 - Dvířka nechte pootevřená, zabráníte tak tvorbě nepříjemného zápachu.
 - Vnitřní část spotřebiče udržujte čistou.
2. Eliminace vodních kapek:
 - Nádobí umyjte pomocí intenzivního programu.
 - Ze spotřebiče vyjměte kovové nádoby.
 - Nepřidávejte čisticí prostředek.
3. Pokud nádobí do myčky vložíte správně, dosáhnete nejnižší spotřeby energie a nejvyššího mycího a sušicího výkonu.
4. Než špinavé nádobí vložíte do myčky, odstraňte všechny hrubé nečistoty.
5. Spotřebič spusťte zcela naplněný.
6. Program předmytí použijte pouze tehdy, je-li to nezbytné.
7. Při výběru programu dodržujte informace o programu a průměrné spotřebě.
8. Vzhledem k tomu, že spotřebič dosahuje vysokých teplot, neměl by se nacházet v blízkosti chladničky.
9. Pokud se spotřebič nachází na místě, kde hrozí nebezpečí zamrznutí, musíte vodu, která ve spotřebiči zůstala, vypustit.

ІНСТРУКЦІЯ З ОБСЛУГОВУВАННЯ ПОСУДОМИЙНОЇ МАШИНИ KDI 4854 SD

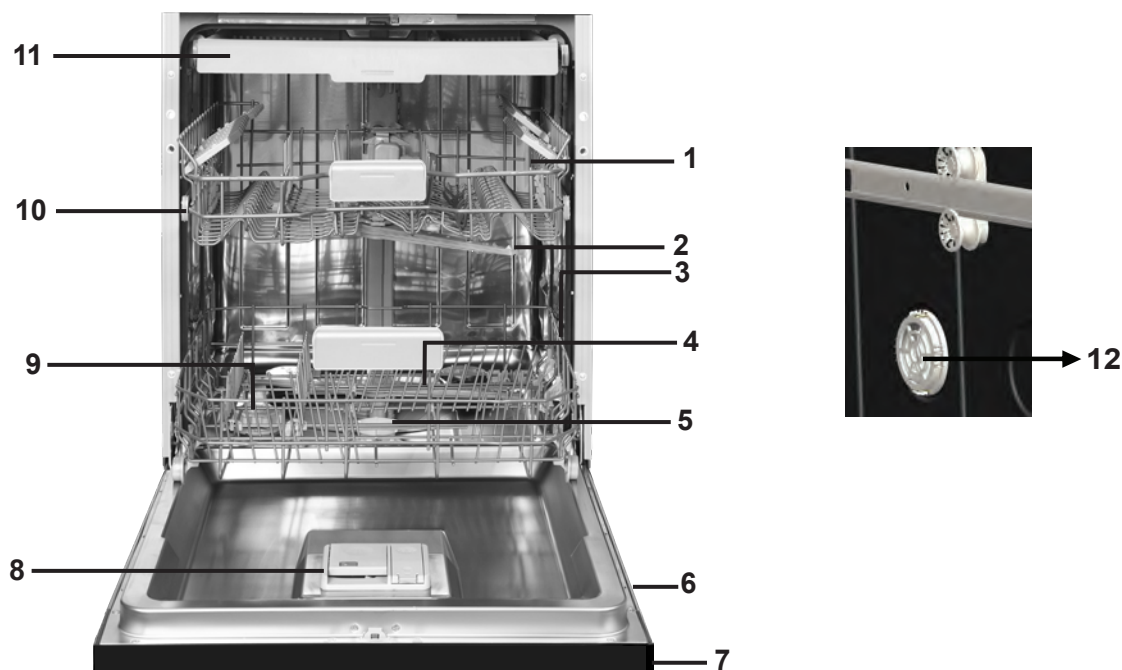


www.kernau.com

ЗМІСТ

ГЛАВА 1. ТЕХНІЧНІ ХАРАКТЕРИСТИКИ	84
ГЛАВА 2. ІНФОРМАЦІЯ ЩОДО БЕЗПЕКИ ТА РЕКОМЕНДАЦІЇ	85
ПІД ЧАС ОДЕРЖАННЯ МАШИНИ	85
НА ЩО СЛІД ЗВЕРНУТИ УВАГУ ПІД ЧАС ВСТАНОВЛЕННЯ МАШИНИ	85
ПІД ЧАС ПОВСЯКДЕННОГО ВИКОРИСТАННЯ	85
БЕЗПЕКА ДІТЕЙ	86
У РАЗІ НЕСПРАВНОСТІ	86
РЕКОМЕНДАЦІЇ	86
ПОВТОРНА ПЕРЕРОБКА МАТЕРІАЛІВ	87
НЕ МОЖНА МИТИ В ПОСУДОМИЙНІЙ МАШИНІ	87
ГЛАВА 3. ВСТАНОВЛЕННЯ МАШИНИ	88
РОЗМІЩЕННЯ МАШИНИ	88
ПІДКЛЮЧЕННЯ ДО ВОДОПОСТАЧАННЯ	88
ВПУСКНИЙ ШЛАНГ	88
ВИПУСКНИЙ ШЛАНГ	89
ПІДКЛЮЧЕННЯ ЕЛЕКТРОЕНЕРГІЇ	89
ГЛАВА 4. ПІДГОТОВКА МАШИНИ ДО ЕКСПЛУАТАЦІЇ	90
ПЕРЕД ПЕРШИМ ВИКОРИСТАННЯМ ПРИСТРОЮ	90
ВАГА ДЛЯ НАКИПУ ВОДИ	90
НАЧИНКА СІЛЛЮ	90
ТЕСТ-СМУЖКА	91
РЕГУЛЮВАННЯ ВИТРАТИ СОЛІ	91
НАЛАШТУВАННЯ ТВЕРДОСТІ ВОДИ	92
ВИКОРИСТАННЯ МІЮЧОГО ЗАСОБУ	92
ЗАПОВНЕННЯ ДОЗАТОРА МІЮЧОГО ЗАСОБУ	92
КОМБІНОВАНИЙ МІЮЧИЙ ЗАСІБ	93
ЗАПОВНЕННЯ ВІДДІЛЕННЯ ДЛЯ ОПОЛІСКУВАЧА І ЙОГО НАЛАШТУВАННЯ	93
ГЛАВА 5. ЗАВАНТАЖЕННЯ ПОСУДУ В ПОСУДОМИЙНУ МАШИНУ	95
ІНШІ СПОСОБИ ЗАВАНТАЖЕННЯ КОШИКІВ	96
НЕПРАВИЛЬНЕ ЗАВАНТАЖЕННЯ	97
ГЛАВА 6. ТАБЛИЦЯ ВИБОРУ ПРОГРАМ	98
ГЛАВА 7. ПАНЕЛЬ УПРАВЛІННЯ	99
ЗМІНА ПРОГРАМИ	100
СКАСУВАННЯ ПРОГРАМИ	100
ГЛАВА 8. ТЕХНІЧНЕ ОБСЛУГОВУВАННЯ ТА ЧИЩЕННЯ	102
ГЛАВА 9. КОДИ ПОМИЛОК І ВІДПОВІДНІ ДІЇ	104
ГЛАВА 10. ПРАКТИЧНА Й КОРИСНА ІНФОРМАЦІЯ	107

ГЛАВА 1. ТЕХНІЧНІ ХАРАКТЕРИСТИКИ



- | | |
|--------------------------------|---------------------------------------------------------------------|
| 1. Верхній кошик з підставками | 7. Панель керування |
| 2. Верхній розбрикувач | 8. Дозатор мийного засобу та ополіскувача |
| 3. Нижній кошик | 9. Дозатор солі |
| 4. Нижній розбрикувач | 10. Шляховий фіксатор верхнього кошика |
| 5. Фільтри | 11. Верхній кошик для столових приборів |
| 6. Паспортна табличка | 12. Турбосушарка: пристрій, який здійснює покращене сушіння посуду. |

Місткість	13 предметів
Висота	870 мм - 820 мм
Ширина	598 мм
Глибина	550 мм
Маса нетто	38 кг
Електричне живлення	220 – 240 В, 50 Гц
Загальна потужність	1900 Вт
Потужність нагрівного елемента	1800 Вт
Потужність насоса	100 Вт
Потужність зливного насоса	30 Вт
Тиск води	0,03 МПа (0,3 бар) – 1 МПа (10 бар)
Струм	10 А

Відповідність стандартам та тестовим даним або Декларація про відповідність ЄС

Цей продукт відповідає всім діючим директивам ЄС та гармонізовані стандарти пов'язані з маркуванням CE.

ГЛАВА 2. ІНФОРМАЦІЯ ЩОДО БЕЗПЕКИ ТА РЕКОМЕНДАЦІЇ

ПІД ЧАС ОДЕРЖАННЯ МАШИНИ

- Якщо на упаковці помітно якісь пошкодження, зверніться до продавця чи у службу Sharp Helpdesk.
- Зніміть пакувальні матеріали згідно з вказівками та викиньте їх у відповідності до чинних правил.

НА ЩО СЛІД ЗВЕРНУТИ УВАГУ ПІД ЧАС ВСТАНОВЛЕННЯ МАШИНИ

- Для встановлення машини слід вибрати зручне і безпечне місце з горизонтальною поверхнею.
- Виконайте встановлення і підключення машини відповідно до вказівок.
- Встановлення та ремонт машини має здійснювати лише персонал авторизованого сервісного центру.
- У машині мають використовуватись лише оригінальні запчастини.
- Перед встановленням переконайтесь у тому, що машина відключена від електромережі.
- Переконайтесь у тому, що захист домашньої електропроводки виконано згідно з чинними правилами.
- Усі електричні з'єднання повинні відповідати параметрам, наведеним на паспортній табличці.
- Переконайтесь у тому, що машина не стоїть на кабелі живлення.
- Ні в якому разі не використовуйте для підключення машини подовжувачі та розгалужувачі. Після встановлення вилка живлення має розміщуватись у зручному доступному місці.
- Уперше після встановлення машину слід увімкнути без завантаження.

ПІД ЧАС ПОВСЯКДЕННОГО ВИКОРИСТАННЯ

- Машина призначена для побутового використання; не користуйтеся нею в інших цілях. У разі промислового використання гарантію на посудомийну машину буде скасовано.
- Коли дверцята машини відкрито, на машину не можна ставати, сідати чи ставити якісь важкі предмети — вона може перекинутись.
- Ні в якому разі не використовуйте мийні засоби чи ополіскувачі, не призначені спеціально для посудомийних машин. Виробник не несе відповідальність за пошкодження, викликані використанням таких засобів.
- Вода в мийній камері машини не призначена для пиття. Пити її заборонено.
- У мийну камеру машини не можна вносити хімічні розчинники, інакше можливий вибух.
- Перш ніж класти в посудомийну машину пластикові речі, переконайтесь у тому, що вони стійкі до високої температури.
- Користуватись машиною можуть діти віком від 8 років, особи з погіршеними фізичними, чуттєвими чи розумовими здібностями, або люди, яким бракує знань або досвіду, за умови, якщо хтось наглядає за ними, пояснює небезпеки, пов'язані з користуванням машини, та навчає користуватись нею в безпечний спосіб. Не дозволяйте дітям гратися з машиною. Не дозволяйте дітям без нагляду здійснювати чищення та поточне обслуговування машини.
- Не кладіть у машину непридатні для машинного миття чи важкі предмети, маса яких перевищує допустиму масу завантаження кошика. Компанія SHARP не несе відповідальність за пошкодження будь-яких внутрішніх деталей.

- Відкривати посудомийну машину під час роботи заборонено. У разі відкриття дверцят спрацьовує запобіжний пристрій, який зупиняє машину.
- Не залишайте дверцята відчиненими — відчинені дверцята можуть становити небезпеку для людей.
- Ножі та інші гострі предмети слід класти у кошик для столових приборів лезом донизу.
- У разі пошкодження шнура живлення його заміна повинна здійснюватись компанією SHARP або її агентом з обслуговування.
- Якщо параметр EnergySave (Енергозбереження) встановлено у стан «Yes» (Так), наприкінці програми дверцята відчиняться. Не зачиняйте дверцята примусово протягом однієї хвилини, інакше можна пошкодити механізм відчинення дверцят. Щоб посуд добре висохнув, дверцята мають бути відчинені протягом 30 хвилин (у моделях з механізмом автоматичного відчинення дверцят).



УВАГА:

не стійте перед дверцятами після того, як прозвучить сигнал автоматичного відчинення дверцят.

БЕЗПЕКА ДІТЕЙ

- Знявши з машини упаковку, складіть пакувальний матеріал у місці, недосяжному для дітей.
- Не дозволяйте дітям гратися з машиною чи вмикати її.
- Зберігайте мийні засоби та ополіскувачі в місці, недосяжному для дітей.
- Не допускайте дітей до машини, коли вона відчинена: всередині можуть зберігатися залишки мийних засобів.
- Переконайтесь у тому, що стара машина не становить загрозу для дітей. Відомо, що діти іноді зачиняються у старих машинах. цього не сталося, зламайте замок у дверцятах старої машини та вирвіть із неї електричні кабелі.

У РАЗІ НЕСПРАВНОСТІ

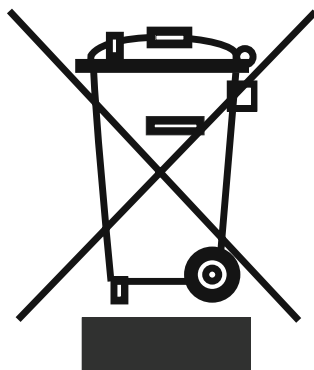
- Виконання будьяких ремонтних робіт кимсь, окрім персоналу авторизованого сервісного центру, призводить до скасування гарантії на машину.
- Перш ніж починати ремонт машини, переконайтесь у тому, що вона вимкнена з електричної розетки. Вимкніть напругу на запобіжнику або вийміть вилку машини з розетки. Вимикаючи живлення машини, не тягніть вилку за кабель. Обов'язково перекрийте водяний кран.

РЕКОМЕНДАЦІЇ

- З метою економії електроенергії та води знімайте з посуду грубі залишки їжі, перш ніж ставити посуд у машину. Вмикайте машину, повністю завантаживши її.
- Користуйтеся програмою попереднього миття, тільки коли це необхідно.
- Ставте в машину миски, чашки та каструлі догори дном.
- Не рекомендується перевантажувати машину чи завантажувати її способом, відмінним від наведеного в цьому керівництві.

ПОВТОРНА ПЕРЕРОБКА МАТЕРІАЛІВ

- Повторно перероблені матеріали використовуються в окремих компонентах і упаковці.
- На пластикові деталі нанесено міжнародні позначення: (>PE< , >PS< , >POM< , >PP<)
- Картонні деталі виготовлено з продуктів переробки макулатури. Її слід викидати в баки для збирання макулатури, призначеної для повторної переробки.
- Такі матеріали не слід викидати в баки для сміття. Їх потрібно доставляти в центри повторної переробки.
- Дізнатися про місце та спосіб передачі можна, звернувшись до відповідного центру.



НЕ МОЖНА МИТИ В ПОСУДОМИЙНІЙ МАШИНІ:

- посуд із залишками сигаретного попелу, недогарками свічок; поліровані, пофарбовані предмети, предмети з хімічними речовинами; предмети зі сплавів заліза;
- виделки, ложки та ножі з ручками з дерева чи кості, з покриттям зі слонової кістки чи перламутру; клеєні вироби, предмети, забруднені абразивними речовинами, кислотними чи лужними хімічними речовинами;
- пластмасові предмети, нестійкі до високої температури, ємності з мідним чи олов'яним покриттям;
- алюмінієві та срібні предмети (вони можуть втратити забарвлення чи блиск);
- певні тонкостінні скляні предмети, фарфорові предмети з рисунком (вони блякнуть уже після першого миття); певні кришталеві вироби (з часом втрачають прозорість), клеєні прибори, нестійкі до високої температури, бокали з свинцевмісного кришталю, кухонні дошки, предмети з синтетичного волокна;
- предмети, які всотують воду, як-от губки чи ганчірки, непридатні для миття в посудомийній машині.

Увага: намагайтесь купувати посуд, придатний для миття в посудомийній машині.

ГЛАВА 3. ВСТАНОВЛЕННЯ МАШИНИ

РОЗМІЩЕННЯ МАШИНИ

- Визначаючи місце для встановлення машини, доступне вибирайте місце, в якому зручно буде завантажувати та виймати посуд із машини.
- Не розміщуйте машину в місці, де температура повітря може падати нижче від 0°C. Перед встановленням на місце вийміть машину з упаковки, дотримуючись попереджальних знаків, нанесених на упаковку.
- Розташуйте машину поблизу до водяного крана та зливу. При встановленні машини слід мати на увазі, що її підключення не підлягатимуть змінам.
- Не беріться за дверцята чи панель, щоб перемістити машину.
- Залишіть з усіх боків від машини достатньо місця для рухів під час її чищення. Встановлюючи машину на місце, не допускайте перегину впускного та випускного шлангів. Переконайтесь також у тому, що машина не стоїть на електричному кабелі. Відрегулюйте ніжки машини так, щоб вона не хиталась і стояла по рівню. Правильне розташування машини має забезпечувати безперешкодне відчинення та зачинення дверцят. Якщо дверцята погано зачиняються, перевірте, чи машина не хитається; якщо це так, відрегулюйте ніжки машини, щоб вона не хиталась.

ПІДКЛЮЧЕННЯ ДО ВОДОПОСТАЧАННЯ

Переконайтесь у тому, що домова мережа водопостачання придатна для встановлення посудомийної машини. Крім того, на ввіді в помешкання рекомендується встановити фільтр, щоб забруднення, які можуть міститись у воді (пісок, глина, іржа тощо) не пошкодили машину, а також щоб уникнути таких явищ як пожовтіння чи утворення осаду на посуді після миття.

ВПУСКНИЙ ШЛАНГ

Не використовуйте впускний шланг від старої машини. Замість нього слід встановити впускний шланг, який входить у комплект нової машини. Якщо шланг, який використовується для підключення машини, новий чи тривалий час не використовувався, перед підключенням машини слід протягом деякого часу пропустити через нього воду. Під'єднайте впускний шланг безпосередньо до водяного крана. Тиск води в крані має становити від 0,03 МПа до 1,0 МПа. Якщо тиск може перевищувати максимально допустиме значення, перед впускним шлангом слід встановити редуктор тиску.

Під'єднавши шланг, слід повністю відкрити водяний кран і перевірити герметичність з'єднання. Щоб вберегти машину від можливого прориву води, перекривайте водяний кран по завершенні кожної програми миття.

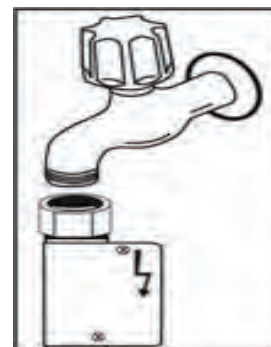
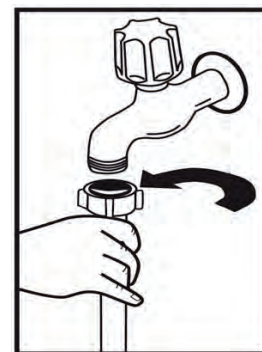
Під'єднання води:

Зважайте на позначення, нанесені на шланг подавання води! Якщо моделі мають позначку 25°, температура води може становити щонайбільше 25 °C (холодна вода). Для всіх інших моделей: Бажаною є холодна вода; температура гарячої води щонайбільше 60 °C.



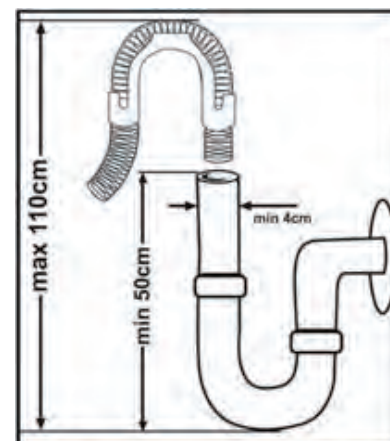
ПРИМІТКА:

Деякі моделі містять систему «аквастоп». Використання системи «аквастоп» передбачає наявність небезпечної напруги. Не перерізайте водяний шланг системи «аквастоп». Не допускайте його перегину чи перекручення.



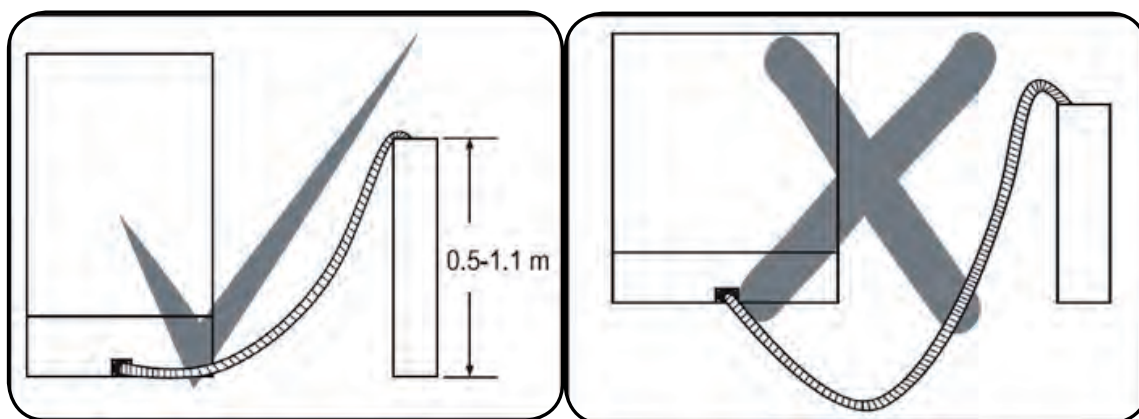
ВИПУСКНИЙ ШЛАНГ

Випускний шланг можна під'єднати або безпосередньо до каналізаційної труби, або до патрубку сифона мийки. Якщо у комплект входить спеціальна вигнута трубка, відпрацьовану воду можна випускати безпосередньо у мийку, зачепивши вигнуту трубку за край мийки. Випускний шланг має бути під'єднано на висоті не менш ніж 50 см і не більш ніж 110 см над підлогою.



УВАГА:

якщо довжина випускного шланга перевищує 4 м, на посуді може залишатись бруд. У такому разі виробник не бере на себе відповідальність за якість роботи виробу.



ПІДКЛЮЧЕННЯ ЕЛЕКТРОЕНЕРГІЇ

- Машина оснащена вилкою з контактом заземлення, яку слід вставляти в заземлену розетку, підключену до мережі відповідної напруги та розраховану на відповідний струм.
- Якщо в помешканні нема контуру заземлення, його має встановити кваліфікований електрик.
- У разі ввімкнення в мережу без заземлення виробник не несе відповідальності за несправності, які можуть бути цим викликані. Номінальний струм запобіжника має становити 10 – 16 А.
- Машина розрахована на напругу живлення 220 – 240 В. Якщо напруга електромережі в помешканні становить 110 В, слід встановити підвищувальний трансформатор з 110 на 220 В номінальною потужністю 3000 Вт.
- Вмикати машину в розетку під час встановлення не можна. Завжди користуйтеся ізольованою вилкою, яка входить у комплект машини.
- Експлуатація при зниженій напрузі живлення призводить до погіршення якості миття. Заміну електричного кабелю машини має здійснювати лише працівник авторизованого сервісного центру чи вповноважений електрик. Інакше машина може вийти з ладу. Щоб запобігти небезпеці, обов'язково виймайте вилку машини з розетки по завершенні кожної програми миття.
- Щоб запобігти небезпеці ураження електричним струмом, не виймайте вилку з розетки мокрыми руками. Вимикаючи машину з розетки, слід братися за саму вилку.
- Ні в якому разі не витягайте вилку за шнур живлення.

ГЛАВА 4. ПІДГОТОВКА МАШИНИ ДО ЕКСПЛУАТАЦІЇ

ПЕРЕД ПЕРШИМ ВИКОРИСТАННЯМ ПРИСТРОЮ

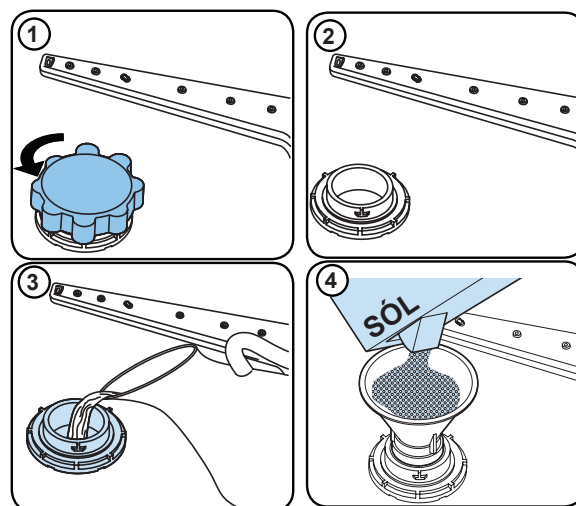
- Переконайтесь, що значення електроенергії та води відповідають значенням, наведеним в інструкції з установки посудомийної машини.
- Вийміть усі пакувальні матеріали з внутрішньої посудомийної машини.
- Встановіть рівень пом'якшувача води.
- Наповніть дозатор ополіскувача.

ВАГА ДЛЯ НАКИПУ ВОДИ

Для гарного функціонування посудомийної машини до неї має поступати м'яка вода, тобто з низьким рівнем сполучень кальцію. Інакше на посуді і внутрішній поверхні машини будуть утворюватися вапняні залишки. Це негативно впливає на якість миття, сушки і робочі характеристики посудомийної машини. Само тому у посудомийних машинах використовуються засоби пом'якшення води. Система пом'якшення води повинна поповнюватися таким чином, що вона працювала з тією самою продуктивністю і протягом наступного миття. Для цього використовується спеціальна сіль.

НАЧИНКА СІЛЮ

Використовуйте солі для пом'якшення води, які призначені спеціально для посудомийних машинах. Щоб покласти сіль зніміть нижній кошик, відкрийте кришку відсіку для солі, повернувши її проти годинникової стрілки. (1) (2) При першому використанні висипте у відсік 2 кг солі і долийте води (3) трошки нижче максимального рівня. Для полегшення слід користуватись заливною лийкою (4). Встановіть кришку і закрийте її. Після 20 – 30 циклів роботи додавайте сіль (близько 1,5 кг).



Заповнювати відсік для солі водою необхідно тільки перше, першим запуском. Рекомендується використовувати дрібну або порошкову сіль. Забороняється кладіть до машини кухонну сіль. Інакше через деякий час відсік для солі може перестати працювати. Після запуску машини відсік для солі заповнюється водою. Тому покладіть сіль у відповідний відсік безпосередньо перед запуском машини. Таким чином, зайва сіль відразу буде вимита з відсіку під час миття. Якщо ви не мили посуд відразу після заповнення відсіку для солі, то потім запустити коротку програму миття з порожньою машиною, щоб уникнути корозії через переповнення відсіку для солі. Для того, щоб зрозуміти, чи достатньо в посудомийній машині солі для пом'якшення, достатньо подивитися на прозору частину заглушки відсіку для солі. Солі достатньо, якщо прозора частина має зелений колір. Якщо вона не має зеленого кольору – солі не достатньо.

ТЕСТ-СМУЖКА

Ефективність роботи посудомийної машини залежить від м'якості водопровідної води. Саме тому ця машина має систему пом'якшення води. Якщо ця система правильно налаштована, ефективність роботи посудомийної машини збільшується. Щоб дізнатися про рівень твердості води у вашій місцевості, зверніться до комунальних служб або визначить за допомогою контрольної смужки (якщо вона є).

1. Відкрийте тест-смужку.



2. Відкрийте кран з проточною водою і почекайте 1 хв.



3. Вставте тест-смужку під проточну воду протягом 1 с.



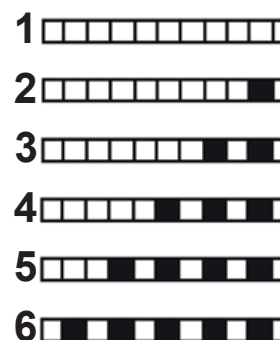
4. Вийміть пояс з води і струсіть його.



5. Зачекайте 1 хв.



6. Встановіть рівень твердості води в пристрої відповідно до результату на тест-смужці.



РЕГУЛЮВАННЯ ВИТРАТИ СОЛІ

СПОЖИВАННЯ ТВЕРДОСТІ ВОДИ	НІМЕЦЬКІ ГРАДУСИ ТВЕРДОСТІ DH	ФРАНЦУЗЬКІ ГРАДУСИ ТВЕРДОСТІ DF	АНГЛІЙСЬКІ ГРАДУСИ ТВЕРДОСТІ DE	ПОКАЗНИК ТВЕРДОСТІ
1	0-5	0-9	0-6	Увімкнено світлодіоди P1-P5.
2	6-11	10-20	7-14	Увімкнено світлодіоди P2-P5.
3	12-17	21-30	15-21	Увімкнено світлодіоди P3-P5.
4	18-22	31-40	22-28	Увімкнено світлодіоди P4-P5.
5	23-31	41-55	29-39	Увімкнено світлодіоди P1-P4-P5.
6	32-50	56-90	40-63	Увімкнено світлодіоди P2-P4-P5.

Якщо твердість використовуваної води перевищує 90 dF (французькі рівні твердості води) або якщо використовується колодязь, рекомендується використовувати фільтри та пристрої для очищення води.

Відрегулюйте настройку твердості води відповідно до ступеню, визначеного за допомогою тестової стрічки.

ПРИМІТКА: На заводі встановлюється 3-й ступінь твердості.

СИСТЕМА ПОМ'ЯКШЕННЯ ВОДИ

Посудомийна машина обладнана системою пом'якшення води, яка знижує твердість води від водопроводу. Щоб перевірити твердість водопровідної води, будь ласка зверніться до свого водоканалу або використовуйте тест-смужку (якщо вона є в комплекті доступно).

Налаштування:

- Відкрийте дверцята посудомийної машини.
- Увімкніть машину у мережу живлення й натисніть кнопку програми, поки машина не буде увімкнена.
- Натисніть і утримуйте кнопку вибору програми, доки не зникне «SL».
- На дисплеї посудомийної машини відобразиться останнє налаштування.
- Встановіть рівень, натиснувши кнопку вибору програми.
- Для збереження налаштувань у пам'яті, вимкніть живлення машини.

ВИКОРИСТАННЯ МИЮЧОГО ЗАСОБУ:

Комбіновані миючі засоби можуть мати різні додаткові властивості. Перед використанням миючого засобу слід ретельно прочитати інструкцію з його використання. Взагалі комбіновані миючі засоби дають гарні результати тільки під час виконання певних умов.

Що слід враховувати при використанні комбінованих миючих засобів:

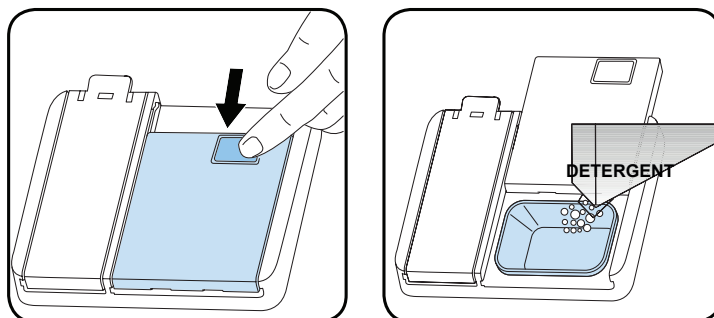
- Перевірте технічні характеристики і дізнайтеся, це є цей миючий засіб комбінованим.
- Переконайтеся, що він підходить для рівня твердості водопровідної води.
- Дотримуйтеся інструкції з використання на упаковці.
- Завжди кладіть таблетки у відділення для миючих засобів в камері для миючих засобів.
- Якщо ви не знаєте умови використання цього засобу, зверніться до його виробника.
- Правильне використання миючого засобу дозволяє економити сіль для пом'якшенні та/або ополіскувач.
- Гарантія на цю посудомийну машину не стосується будь-яких скарг, які викликані використанням комбінованих миючих засобів.

ДОДАВАННЯ МИЮЧОГО ЗАСОБУ

Натисніть на кришку, як показано, щоб відкрити

Натисніть на засувку, щоб відкрити дозатор і додати миючий засіб.

Закрийте кришку і натисніть, поки не клацніть. Диспенсер слід заповнити безпосередньо перед запуском кожної програми. Якщо посуд сильно забруднений, поставте додатковий миючий засіб у відділення миючого засобу для попереднього миття.



Використання таких виробів згідно інструкцій виробника.

Ніколи не кладіть препарати, що містять кілька інгредієнтів, всередину посудомийної машини або кошика для столових приборів.

Препарати з кількома інгредієнтами крім миючого засобу вони містять також ополіскувач, замітники солі та додаткові компоненти, залежно від формули.

Не рекомендується використовувати препарати, що містять кілька інгредієнтів для коротких програм. У цьому випадку доречно використовувати порошкові миючі засоби. Якщо виникають проблеми при використанні препарату, що містить кілька компонентів, зверніться до виробника препарату.

Якщо ви вирішили не використовувати препарати, що містять кілька інгредієнтів, переконайтесь, що твердість води та ополіскувач встановлені на відповідному рівні.

Використовуючи ополіскувач

Промивний засіб допомагає сушити посуд без утворення прожилки та плями. Використання ополіскувача потрібно для запобігання плям на посуді та для збереження окулярів в чистоті. Засіб для полоскання автоматично відпускається під час фази гарячого полоскання. Якщо дозу для ополіскувача встановлено занадто низькою, на посуді залишаються білясті плями, посуд не висихає і не миється чистим.

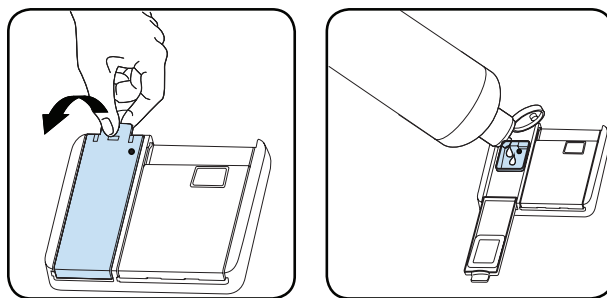
Установка дозування для ополіскувача занадто висока рівень може призвести до синюватого цвітіння на склі та посуді.

Наповнення засобом для полоскання та встановлення дозування

Щоб заправити дозатор ополіскувача, відкрийте кришку дозатора. Наповніть дозатор засобом для полоскання до рівня MAX і закрийте кришку. Немає занадто наповнити відділення для ополіскувача. Почистіть будь-які розливи.

Щоб змінити рівень ополіскувача, перед вмиканням посудомийної машини виконайте кроки, вказані нижче:

- Натисніть кнопку програми і утримуйте її.
- Увімкніть машину.
- Утримуйте кнопку програми, поки з дисплея не зникне "rA". Набір ополіскувача слід встановити жорсткість води.
- Апарат відобразить поточні налаштування.
- Змініть рівень натисканням кнопки програми.
- Вимкніть апарат, щоб зберегти налаштування.



**Якщо посуд не висихується належним чином або вкривається плямами, збільште рівень.
Якщо на посуді утворюються сині плями, зменште рівень.**

РІВЕНЬ	ДОЗА ОПОЛІСКУВАЧА	ІНДИКАТОР
1	Ополіскувач не виділяється	на дисплеї відображається «r1».
2	Виділяється 1 доза	на дисплеї відображається «r2».
3	Виділяються 2 дози	на дисплеї відображається «r3».
4	Виділяються 3 дози	на дисплеї відображається «r4».
5	Виділяються 4 дози	на дисплеї відображається «r5».

ГЛАВА 5. ЗАВАНТАЖЕННЯ ПОСУДУ В ПОСУДОМИЙНУ МАШИНУ

Щоб досягнути найкращих результатів, дотримуйтеся наведених інструкцій.

Завантаження побутової посудомийної машини до її повної місткості, визначеної виробником, сприятиме ощадженню води й електроенергії.

Ручне попереднє ополіскування предметів посуду призводить до збільшення витрат води й електроенергії, тому не рекомендоване. Ви можете помістити чашки, склянки, келихи, невеликі тарілки, миски тощо у верхній кошик. Не спиравте високі келихи один на один, оскільки вони можуть упасти й пошкодитися.

Розмішуючи високі келихи й бокали, спиравте їх на край кошика чи стійку, а не на інші предмети.

Такі предмети посуду, як чашки, склянки й горщики, розміщуйте в посудомийній машині отворами донизу, інакше в них може збиратися вода.

Щоб досягнути найкращого результату, використовуйте сітку для столових приборів, якщо її передбачено в комплектуванні машини. Усі великі (каструлі, лотки, кришки, тарілки, миски тощо) та дуже забруднені предмети розміщуйте на нижній полиці.

Тарілки та столові прибори не варто розміщувати одні над одними.



УВАГА:

Стежте, щоб обертання патрубків розбризкувачів ніщо не перешкоджало.



УВАГА:

Після завантаження посуду переконайтеся, що отвір дозатора мийного засобу залишається вільним.

Рекомендації

Перш ніж помістити посуд у посудомийну машину, видаліть із нього всі великі рештки їжі. Запускайте машину лише з повним навантаженням.



Не перевантажуйте висувні секції та не розміщуйте посуд у неналежному кошику.

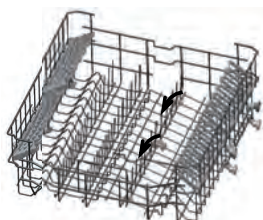


УВАГА:

Щоб уникнути будь-яких можливих травм, розміщуйте посуд із гострими краями чи довгими ручками в кошиках гострими кінцями донизу або горизонтально.

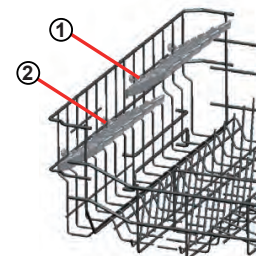
Підставка для посуду

Завдяки можливості регулювання висоти під цими підставками можна ставити чашки різних розмірів. У машині можна використовувати підставки 2 різних розмірів.



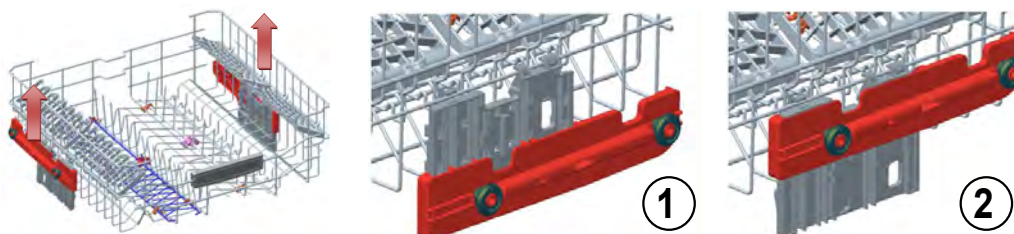
Розкладні решітки

Складаються решітки на верхній кошик полегшують розташування великих предметів, таких як каструлі, каструлі тощо. При необхідності кожен деталь можна скласти окремо або скласти всі для великої кількості місця. Щоб відрегулювати складні решітки, підніміть їх або складіть.



Регулювання висоти повного верхнього кошика

Механізм регулювання висоти верхнього кошика дозволяє, не виймаючи з машини, пересувати цей кошик угору чи донизу, навіть коли він завантажений повністю, і створювати, якщо потрібно, великі зазори у верхній чи нижній частині машини. На заводі кошик машини встановлюється у верхнє положення. Щоб підняти кошик, слід взяти його за обидві бічні стінки і потягнути вгору. Щоб опустити його, слід взяти його за обидві бічні стінки й опустити донизу. У механізмі регулювання завантаженого кошика слід переконатись, що обидві бічні стінки розташовані на однаковій висоті (у верхньому чи нижньому положенні).



Верхній кошик для столових приборів

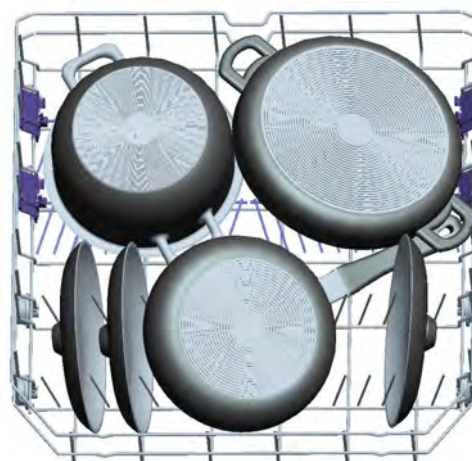
Верхній кошик для столових приборів призначений для розміщення виделок, ложок, ножів, довгого і дрібного приладдя.



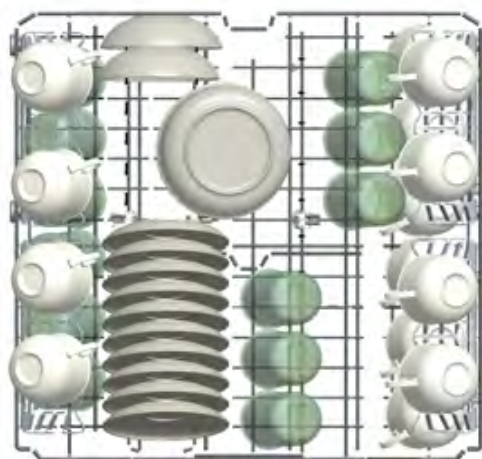
Увага: ножі та інші гострі предмети слід класти у кошик для столових приборів горизонтально.

ІНШІ СПОСОБИ ЗАВАНТАЖЕННЯ КОШИКІВ

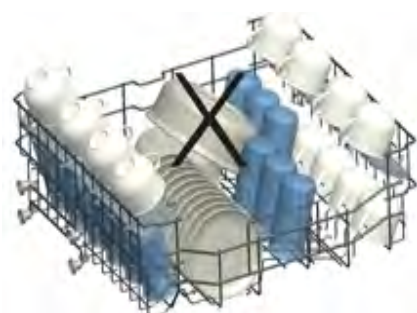
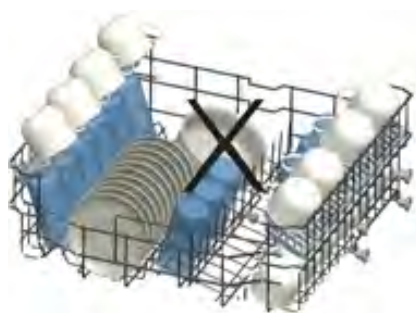
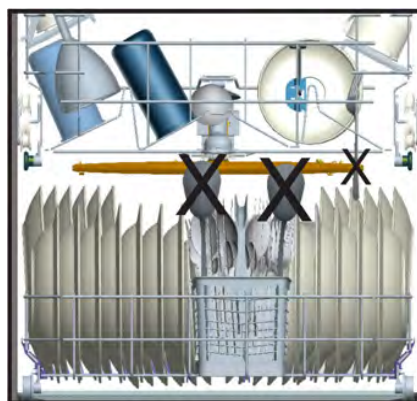
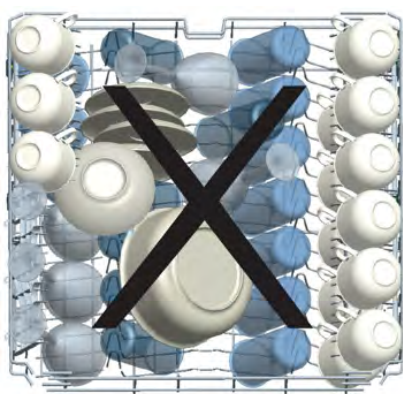
Нижній кошик



Верхній кошик



НЕПРАВИЛЬНЕ ЗАВАНТАЖЕННЯ




Неправильне завантажування

Неправильне завантажування може призвести до незадовільного результату миття й висушування. Щоб забезпечити належний результат, дотримуйтеся рекомендацій виробника побутової техніки.

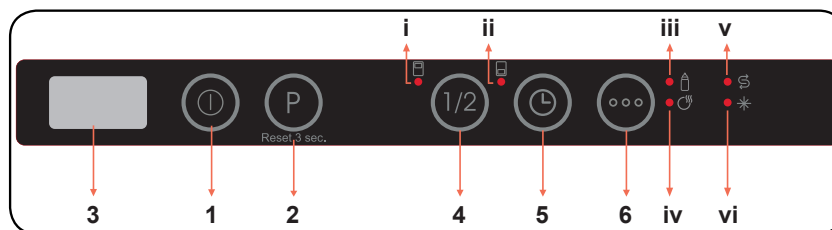
ГЛАВА 6. ТАБЛИЦЯ ВИБОРУ ПРОГРАМ

НАЗВА ПРОГРАМИ	ТИП ЗАБРУДНЕННЯ	РІВЕНЬ ЗАБРУДНЕННЯ	КІЛЬКІСТЬ МІЮЧОГО ЗАСОБУ А: 25 CM 3 В: 15 CM3	ТРИВАЛІСТЬ ПРОГРАМИ (ХВ.)	СПОЖИВАННЯ ЕЛЕКТРОЕНЕРГІЇ (КВТ·ГОД / ЦИКЛ)	СПОЖИВАННЯ ВОДИ (Л /ЦИКЛ)
P1 Eco	Стандартна програма для звичайно забрудненого посуду з пониженим використанням енергії та води.	Середній	A	222	0,937	9,0
P2 Інтенсивність (Модель залежно)	Підходить для сильно забрудненого посуду.	Важка	A	122	1,600	14,9
P2 Авто (Модель залежно)	Автоматична програма для сильно забрудненого посуду.	Важка	A	99-122	1,300-1,600	10,5-14,9
P3 Круто 50' 65°C	Підходить для помірно брудного, щодня використовуюваного посуду з більш короткою програмою.	Середній	A	50	1,000	9,5
P4 Щодня 60°C	Підходить для сильно забрудненого посуду, що потребує гігієнічного очищення.	Середній	A	94	1,320	14,4
P5 Швидкий 55°C	Підходить для звичайно забрудненого посуду щоденного використання	Середній	A	109	1,150	17,7
P6 Ніжна 40°C	Підходить для делікатного миття незначно забрудненого посуду.	Легкий	A	74	0,800	13,9
P7 Швидкий 30'	Підходить для незначно забрудненого посуду та швидкого миття.	Легкий	A	30	0,670	10,9
P8 Попередньо вимийте	Підходить для ополіскування посуду, який ви плануєте помити пізніше.	Легкий	-	15	0,020	44,25

- Тривалість програми може змінюватися залежно від кількості посуду, температури води, температури навколишнього середовища й вибраних додаткових функцій.
- Значення, наведені для інших програм, крім екологічної програми, орієнтовні.
- Якщо у вашій моделі є датчик помутніння води, вона має автоматичну програму (Auto) замість програми інтенсивного миття.
- Програма Eco придатна для очищення нормально забрудненого посуду, оскільки для цього використання вона найбільш ефективна з погляду сумарного споживання електроенергії та води, а також саме ця програма використовується для оцінювання відповідності законодавству ЄС щодо проектування з дотриманням екологічних норм.
- Миття посуду в побутовій посудомийній машині зазвичай характеризується зменшеним споживанням електроенергії та води у фазі використання, якщо порівнювати з ручним миттям посуду й за умови, що така побутова посудомийна машина використовується згідно з інструкціями виробника.
- Для короткочасних програм використовуйте тільки порошковий мийний засіб.
- Короткочасні програми не передбачають етап сушіння.
- Щоб пришвидшити сушіння, ми рекомендуємо трохи відкрити двері після закінчення циклу.
- Ви можете дістати доступ до бази даних продуктів, де міститься інформація про конкретну модель, зчитавши QR-код на паспортній табличці.

 **ПРИМІТКА:** Згідно з регламентами 1016/2010 і 1059/2010, показники енергоспоживання програми Eco можуть відрізнятися. Ця таблиця відповідає положенням регламентів 2019/2022 і 2017/2022.

ГЛАВА 7. ПАНЕЛЬ УПРАВЛІННЯ



1. Кнопка увімкнення/вимкнення
2. Кнопка вибору програми
3. Дисплей
4. Кнопка затримки
5. Кнопка додаткових функцій

- i. Індикатор половини завантаження верхнього кошика
- ii. Індикатор половини завантаження нижнього кошика
- iii. Індикатор режиму «Додаткова гігієна»
- iv. Індикатор режиму «Додаткове сушіння»
- v. Індикатор кількості солі
- vi. Індикатор ополіскування

1. Кнопка увімкнення/вимкнення

Увімкніть машину натисканням кнопки увімкнення/вимкнення. Коли машина увімкнеться, на дисплеї (3) буде відображено «--».

2. Кнопка вибору програми

Виберіть програму, які підходить для вашого посуду, натиснувши кнопку вибору програми. Програма запускається автоматично, коли дверцята зачинені.

3. Дисплей

На дисплеї по черзі відображається номер та загальна тривалість виконання вибраної програми та час, що залишився до її завершення.

4. Кнопка затримки

Натисніть кнопку затримки, щоб відкласти початок виконання вибраної програми на період від 1 до 19 годин. Натискання на кнопку один раз призведе до затримки початку роботи на 1 годину, та подальше натискання збільшить тривалість затримки. Натисніть кнопку затримки для зміни чи скасування відкладеного запуску. Якщо ви вимкнете машину з активованим таймером затримки, час затримки скасовується.

5. Кнопка додаткових функцій

- Натисніть та утримуйте кнопку додаткових функцій




- 3 секунди для вибору зоні посудомийної машини, яка містить посуд для миття. Ви можете вибрати обидві корзини (i,ii), тільки верхній кошик (i) або тільки нижній кошик (ii). Натисніть та утримуйте кнопку доки горить світловий індикатор відповідної корзини. Миття посуду у інших зонах не відбуватиметься. Якщо програма несумісна з функцією половинного навантаження, прозвучить звуковий попереджувальний сигнал.

- Для увімкнення функції «Додаткова гігієна» натисніть кнопку додаткових функцій. Коли ви її активуєте, почне світитися індикатор «Додаткова гігієна» (iii), зміниться температура та тривалість миття за вибраною програмою, й буде забезпечене більш гігієнічне миття.

- Для активування функції «Додаткового сушіння» натисніть кнопку додаткових функцій двічі. Коли ви її активуєте, почне світитися індикатор «Додаткове сушіння» (iv), а у вибрану програму будуть додані етапи нагрівання/сушіння.

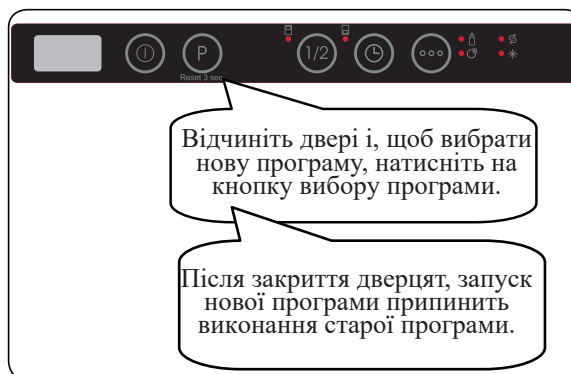
- Натискання на цю кнопку втретє призведе до деактивації цих функцій, обидва індикатори при цьому згаснуть.


- Якщо додаткова функція використовується для останньої використаної програми миття, ця функція залишиться активною для виконання наступної програми. Для скасування цієї функції у новій програмі миття, натисніть та тримайте кнопку відповідної функції поки не згасне підсвітка кнопки.

-  **ПРИМІТКА:** Якщо ви вирішите не запускати вибрану програму, перегляньте розділи "Changing a Programme" («Змінення програми») та "Cancelling a Programme" («Скасування програми»).
-  **ПРИМІТКА:** Коли має місце недостатнє пом'якшення сіллю, почне світитися індикатор попередження про нестачу солі (ii), що вказує на необхідність заповнення камери для солі.
-  **ПРИМІТКА:** Коли має місце нестача ополіскувача, почне світитися індикатор попередження про нестачу ополіскувача, що вказує на необхідність заповнення камери для ополіскувача.

ЗМІНА ПРОГРАМИ

Для зміни програми під час виконання програми миття.



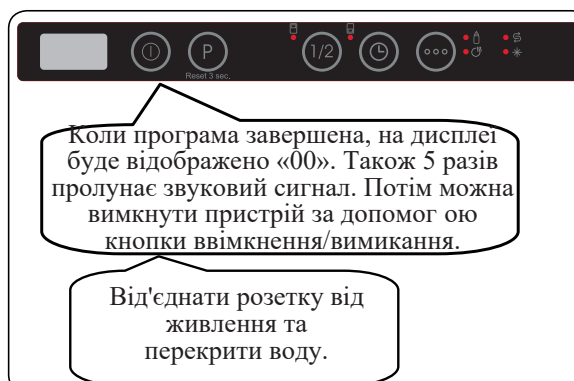
-  **ПРИМІТКА:** Щоб уникнути проливання води, спочатку дещо відчиніть двері, щоб зупинити програму миття, перш ніж вона буде завершена

СКАСУВАННЯ ПРОГРАМИ

Якщо ви хочете скасувати програму під час роботи посудомийної машини.



Вимкання посудомийної машини



ПРИМІТКА: Не відчиняйте дверцята до завершення програми.

ПРИМІТКА: Якщо під час роботи дверцята машини відчинились або припинилось живлення, то програма буде продовжена, коли дверцята зачинять або відновиться живлення.

ПРИМІТКА: Якщо під час процесу сушіння було перервано електроживлення або відчинено дверцята машини, то виконання програми буде завершено. Ваша машина перейде у режим готовності до вибору нової програми

Налаштування гучності зумера

Щоб змінити рівень гучності зумера, здійсніть такі кроки:

1. Відкрийте дверцята та натисніть кнопки програми (2) та затримки (4) одночасно на 3 секунди.
2. Коли налаштування звуку встановлено, зумер дає довгий сигнал, а машина відобразить останній налаштований рівень, від «S0» до «S3».
3. Щоб зменшити рівень звуку, натисніть кнопку вибору програми (2). Щоб збільшити рівень звуку, натисніть кнопку затримки (4).
4. Щоб берегти рівень звуку, вимкніть машину. Рівень «S0» означає вимкнення всіх звукових сигналів. Заводське налаштування – «S3»

Режим економії електроенергії

Щоб активувати або деактивувати «Режим економії електроенергії», здійсніть такі кроки:

1. Відкрийте дверцята та натисніть кнопки затримки (4) та додаткових функцій (5) одночасно на 3 секунди.
2. Після 3 секунд машина відобразить останнє налаштування, «IL1» або «IL0».
3. Якщо активований «Режим економії електроенергії», буде відображатися «IL1». У цьому режимі для економії електроенергії внутрішнє освітлення вимкнеться через 4 хвилини після відкриття дверцят, а машина буде вимкнена після того, як протягом 15 хвилин не відбудеться ніяких дій.
4. Якщо «Режим економії електроенергії» деактивований, буде відображатися «IL0». Якщо «Режим економії електроенергії» деактивований, внутрішнє освітлення буде працювати весь час, поки дверцята відкриті, а машина залишатиметься увімкненою, поки її не вимкне користувач.
5. Щоб берегти вибрані налаштування, вимкніть машину.

За заводським налаштуванням, «Режим економії електроенергії» увімкнений.

Функція Natural Ion Tech (залежно від моделі)

Ця функція забезпечує додаткову гігієну у машині завдяки іонній технології. Функцію Natural Ion Tech активують одночасним натисканням кнопки програми (2) та додаткових функцій (5) на 3 секунди. Наприкінці 3 секунд на дисплеї буде відображено «Ion», що свідчить про активацію іонізатора. Кнопку можна вивільнити після відображення на дисплеї «Ion». Без втручання користувача через 24 години після активації функції іонізатора, вона буде автоматично скасована.

Інформаційні індикатори 2.1 (залежно від моделі)

Світлодіодний індикатор	Стан машини
Червоний постійний	Машина виконує програму.
Червоний, блимає	Програма скасована.
Червоний, блимає швидко	Машина несправна. Див. розділ «Автоматичне попередження про несправність та дії в такій ситуації».
Зелений, постійний	Програму завершено.

ГЛАВА 8. ТЕХНІЧНЕ ОБСЛУГОВУВАННЯ ТА ЧИЩЕННЯ

Чищення посудомийної машини — важлива умова забезпечення її тривалого строку служби. Переконайтеся, що систему пом'якшення води (якщо є) налаштовано правильно та що використовується належна кількість мийного засобу для запобігання накопиченню накипу. Поповніть запас солі у відповідному відділенні, коли ввімкнеться світловий індикатор датчика кількості солі.

Із часом усередині посудомийної машини накопичуються жир і відкладення накипу. Якщо це відбулося:

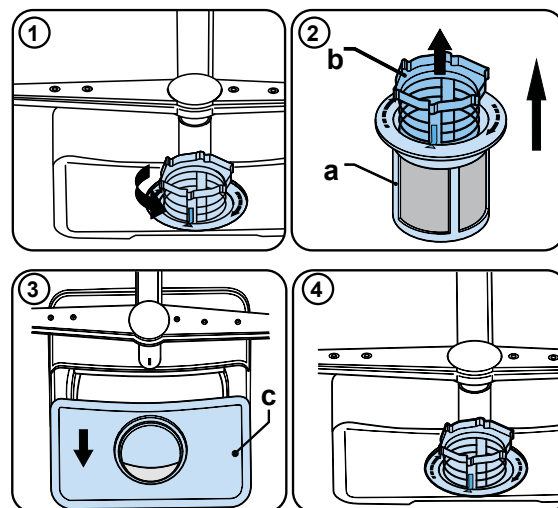
- Заповніть відділення для мийного засобу, але не завантажуйте в машину посуд. Виберіть програму, яка передбачає високу температуру миття, та ввімкніть порожню посудомийну машину. Якщо таке миття не допомагає достатньо очистити посудомийну машину, скористайтеся засобом для чищення, призначеним для застосування в посудомийних машинах.
- Щоб подовжити строк експлуатування своєї посудомийної машини, очищуйте її щомісяця.
- Регулярно витирайте ущільнювач дверцят вологою тканиною, щоб видалити всі накопичені частки або сторонні предмети.

Фільтри

Принаймні раз на тиждень мийте фільтри і розпилювачі. Якщо на фільтрах грубого чи тонкого очищення зібралися будь-які харчові залишки чи сторонні предмети, зніміть фільтри й ретельно промийте їх під проточною водою.

- Мікрофільтр
- Фільтр грубої очистки
- Металевий фільтр

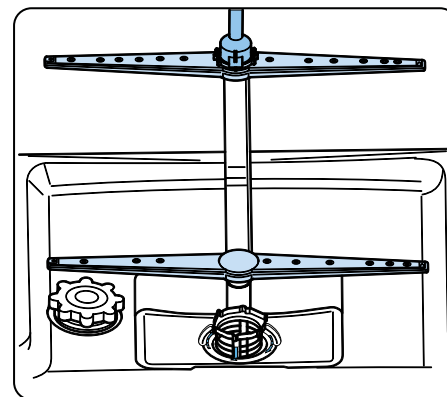
Щоб зняти й очистити блок фільтрів, поверніть його проти годинникової стрілки та зніміть, піднявши (1). Витягніть фільтр грубого очищення з мікрофільтра (2). Потім витягніть і зніміть металевий фільтр (3). Промивайте фільтр під проточною водою, доки не буде видалено всі залишки. Повторне складання фільтра. Установіть на місце фільтрувальну вставку й поверніть її за годинниковою стрілкою (4).



- Заборонено користуватися посудомийною машиною без фільтра.
- Неправильне встановлення фільтра знижує ефективність миття.
- Чисті фільтри — обов'язкова умова для належного експлуатування машини.

Розбризувачі

Переконайтеся, що отвори для розпилення не засмічені та що на патрубках розбризувачів не налипають харчові відходи або сторонні предмети. Якщо на розбризувачах є будь-які засмічення, зніміть їх і очистьте розбризувачі під проточною водою. Щоб зняти верхній розбризувач, відкрутіть гайку, яка утримує його в робочому положенні, повернувши її за годинниковою стрілкою, і витягніть розбризувач униз. Установлюючи верхній розбризувач на місце, стежте, щоб гайка була щільно затягнутою.



Насос для відкачування рідини

Великі залишки їжі або сторонні предмети, не затримані фільтрами, можуть заблокувати роботу насоса відпрацьованої води. Тоді вода для попліскування буде стояти вище фільтра.

1. Спершу завжди вимикайте побутовий прилад із мережі живлення.
2. Вийміть кошики.
3. Зніміть фільтри.
4. Якщо потрібно, видаліть залишки води, скориставшись губкою.
5. Перевірте камеру машини й видаліть усі сторонні предмети.
6. Установіть фільтри.
7. Уставте на місце кошики.

ГЛАВА 9. КОДИ ПОМИЛОК І ВІДПОВІДНІ ДІЇ

КОД ПОМИЛКИ	ОПИС ПОМИЛКИ	ДІЇ
FF	Несправність подавання води у систему	Перевірте, чи відкрито кран подавання води й чи надходить вода.
		Зніміть шланг подавання води з крана та прочистите фільтр шлангу.
		Якщо усунути несправність не вдалося, зверніться в сервісний центр.
F5	Недостатній тиск води.	Зверніться до сервісної служби.
F3	Несправність: не вимикається подача води.	Закрийте водяний кран. Зверніться до сервісної служби.
F2	З машини не відкачується відпрацьована вода.	Засмічення шланга або фільтрів для зливання води.
		Скасуйте програму.
		Якщо усунути несправність не вдалося, зверніться в сервісний центр.
F8	Несправність нагрівача.	Зверніться до сервісної служби.
F1	Сигнал тривоги щодо переливу води.	Вимкніть машину і перекрийте водяний кран. Зверніться до сервісної служби.
FE	Несправна електронна плата.	Зверніться до сервісної служби.
F7	Перегрівання	Зверніться до сервісної служби.
F9	Помилка положення дільнику	Зверніться до сервісної служби.
F6	Несправний давач нагрівача	Зверніться до сервісної служби.
HI	Несправність - зависока напруга	Зверніться до сервісної служби.
LO	Несправність- -занизька напруга	Зверніться до сервісної служби.

- Щоб уникнути будь-яких ризиків, усі роботи з монтажу й технічного обслуговування завжди має здійснювати представник авторизованої сервісної служби. Виробник не нестиме ніякої відповідальності за будь-які пошкодження внаслідок виконання будь-яких робіт неуповноваженою особою. До здійснення ремонтних робіт треба допускати тільки кваліфікованих техніків. Якщо потрібна заміна будь-якого компонента, переконайтеся, що використовуються тільки оригінальні запасні частини.
- Неналежне виконання ремонту або використання неоригінальних запасних частин може спричинити суттєве пошкодження приладу й піддає користувача значному ризику.
- Контактну інформацію служби обслуговування клієнтів наведено на зворотній обкладинці цього документа.
- Оригінальні запчастини, які забезпечують потрібні функції згідно з відповідним замовленням на серію Ecodesign, можна отримати в Службі обслуговування клієнтів протягом принаймні 10 років із дати, коли ваш прилад було запропоновано на ринку Європейського економічного простору.

Служба обслуговування клієнтів

PL: +48 22 243 70 00
Пн 7:00 - 17:00
Вт-Пт 9:00 - 17:00
kontakt@kernau.com

Якщо світиться один з індикаторів монітора програми, а індикатор пуску/зупинки блимає, відчинено дверцята машини.№ зачиніть дверцята.

Якщо не запускається програма:

- Перевірте, чи вилку добре вставлено в розетку.
- Перевірте, чи цілі запобіжники.
- Переконайтесь у тому, що водяний кран відкрито.
- Переконайтесь у тому, що дверцята машини закрито.
- Переконайтесь у тому, що машину було вимкнено за допомогою кнопки живлення.
- Переконайтесь у тому, що впускний водяний фільтр і фільтри машини не забруднені.

Якщо блимають індикатори миття/сушіння та закінчення:

- Спрацював сигнал тривоги по переливу води.
- Перекрийте водяний кран і зверніться в авторизовану сервісну службу.

Якщо по закінченні миття продовжують горіти індикатори.

- Перевірте, чи вже відпущено кнопку живлення.

Якщо у відсіку мийного засобу є залишки мийного засобу.

- Мийний засіб додавали, коли стінки відсіку були мокрими.

Якщо наприкінці програми всередині машини залишилася вода:

- Зливний шланг забруднений чи перекручений.
- Забруднені фільтри.
- Програма ще не закінчилася.

Якщо під час циклу миття машина зупинилася:

- Відбулося вимкнення електроенергії.
- Припинено подачу води.
- Програма могла перейти в режим очікування.

Якщо під час циклу миття чути удари та брязкіт:

- Неправильно встановлено посуд.
- розбризкувач вдаряється об посуд.

Якщо залишки їжі не відмилися від посуду:

- Посуд був неправильно розміщений у машині, внаслідок чого вода з розбризкувача не досягала деяких місць.
- Кошки були перевантажені.
- Тарілки прилягали одна до одної.
- Було додано замало мийного засобу.
- Було обрано невідповідну, надто легку програму миття.
- Розбризкувач забруднений залишками їжі.
- Забруднені фільтри.
- Неправильно встановлені фільтри.
- Забруднений зливний насос.

Якщо на посуді лишаються білясті плями:

- Було додано замало мийного засобу.
- Надто мала настройка дозування ополіскувача.
- Незважаючи на велику твердість води, не використовується спеціальна сіль.
- Надто мала настройка пом'якшувача води.
- Погано закрито кришку відсіку для солі.

Якщо посуд не висихає:

- Вибрано програму без сушіння.
- Надто мала настройка дозування ополіскувача.
- Посуд зарано вийняли з машини.

Якщо на посуді лишаються плями іржі:

- Посуд виготовлено з нержавіючої сталі поганої якості.
- Вода, яка використовується для миття, надто солона.
- Погано закрито кришку відсіку для солі.
- Під час засипання солі на бічні стінки та в машину висипалося забагато солі;
- Погане заземлення.

Якщо після вживання заходів проблема не зникла чи в разі виявлення інших проблем, які тут не описано, зверніться в авторизовану сервісну службу.

ГЛАВА 10. ПРАКТИЧНА Й КОРИСНА ІНФОРМАЦІЯ

1. Коли передбачається протягом тривалого часу не користуватися машиною:
 - Від'єднайте машину від електромережі та водопостачання;
 - Щоб у машині не виникали неприємні запахи, залишіть дверцята причиненими.
 - Підтримуйте чистоту всередині машини.
2. Щоб вода не розбризкувалася:
 - Використовуйте для миття посуду інтенсивні програми.
 - Виймайте з машини всі металеві ємності.
 - Не додавайте мийний засіб.
3. Правильне розміщення посуду в мийній камері забезпечує найефективніше споживання енергії, найкращу якість миття і сушіння.
4. Перш ніж ставити в машину брудний посуд, очищуйте його від крупних залишків їжі.
5. Вмикайте машину, повністю завантаживши її.
6. Користуйтеся програмою попереднього миття лише в разі необхідності.
7. Вибираючи програму, зважайте на інформацію про програми та дані з таблиці про середні витрати матеріалів.
8. Оскільки машина нагрівається до високої температури, її не слід встановлювати поруч із холодильником.
9. Якщо у місці встановлення машини є ризик замерзання води, необхідно повністю злити з машини воду, яка у ній залишилася. Вимкніть машину, від'єднайте впускний шланг від водяного крана і випустіть із машини воду.



www.kernau.com